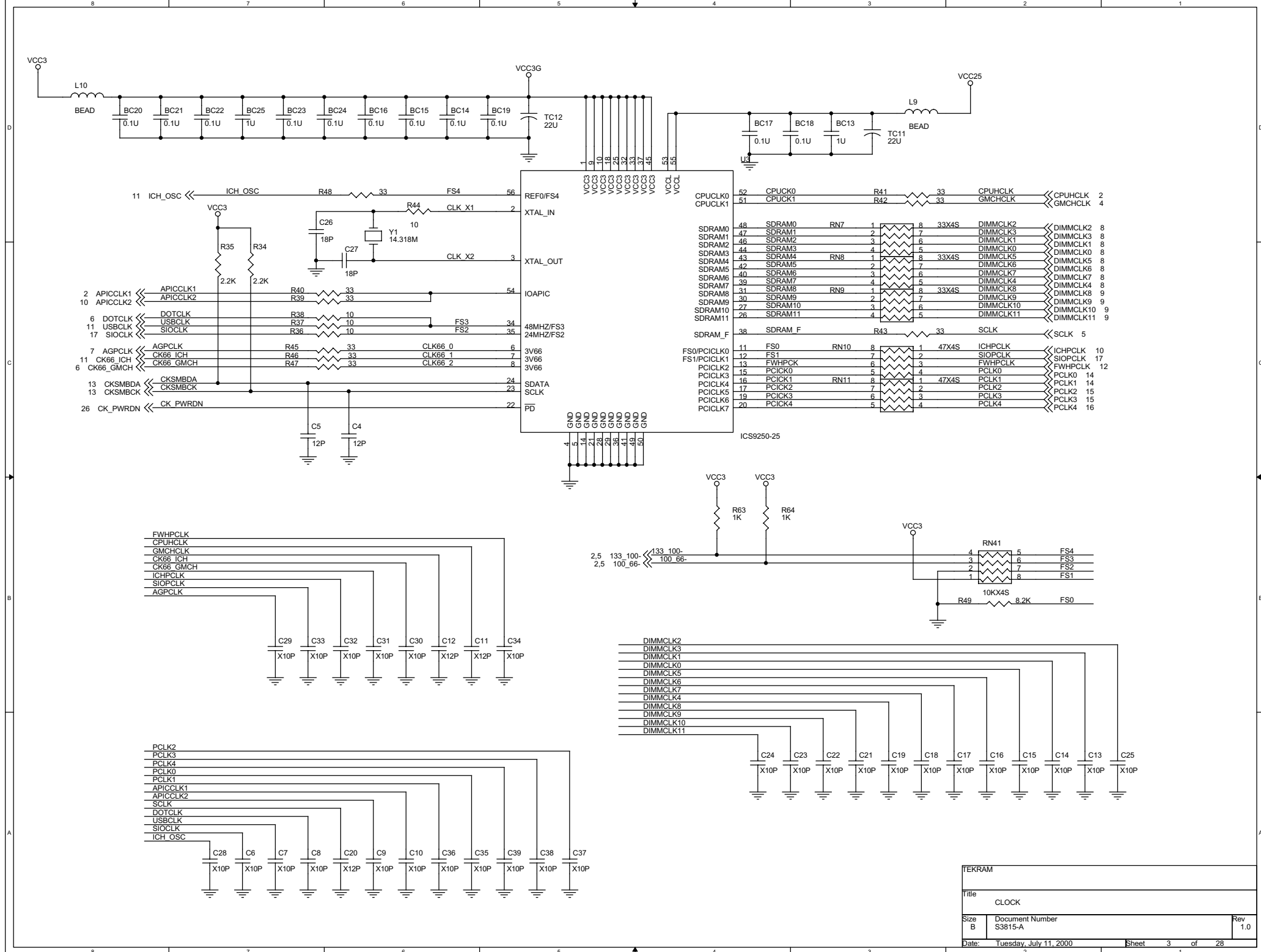
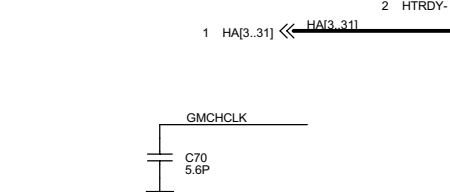
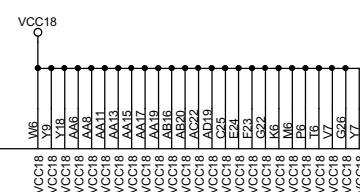
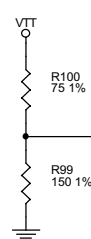


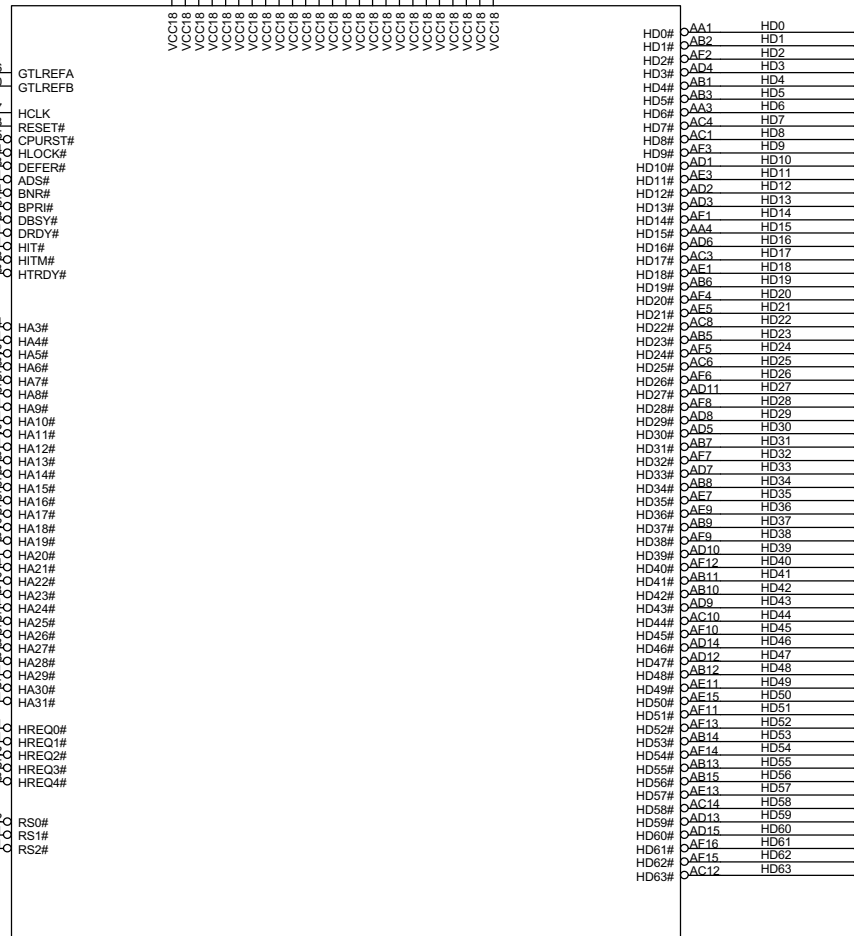
TEKRAM		
Title PGA370		
Size B	Document Number S3815-A	Rev 1.0
Date: Tuesday, July 11, 2000	Sheet 2	of 28



TEKRAM		
Title CLOCK		
Size B	Document Number S3815-A	Rev 1.0
Date: Tuesday, July 11, 2000	Sheet 3	of 28



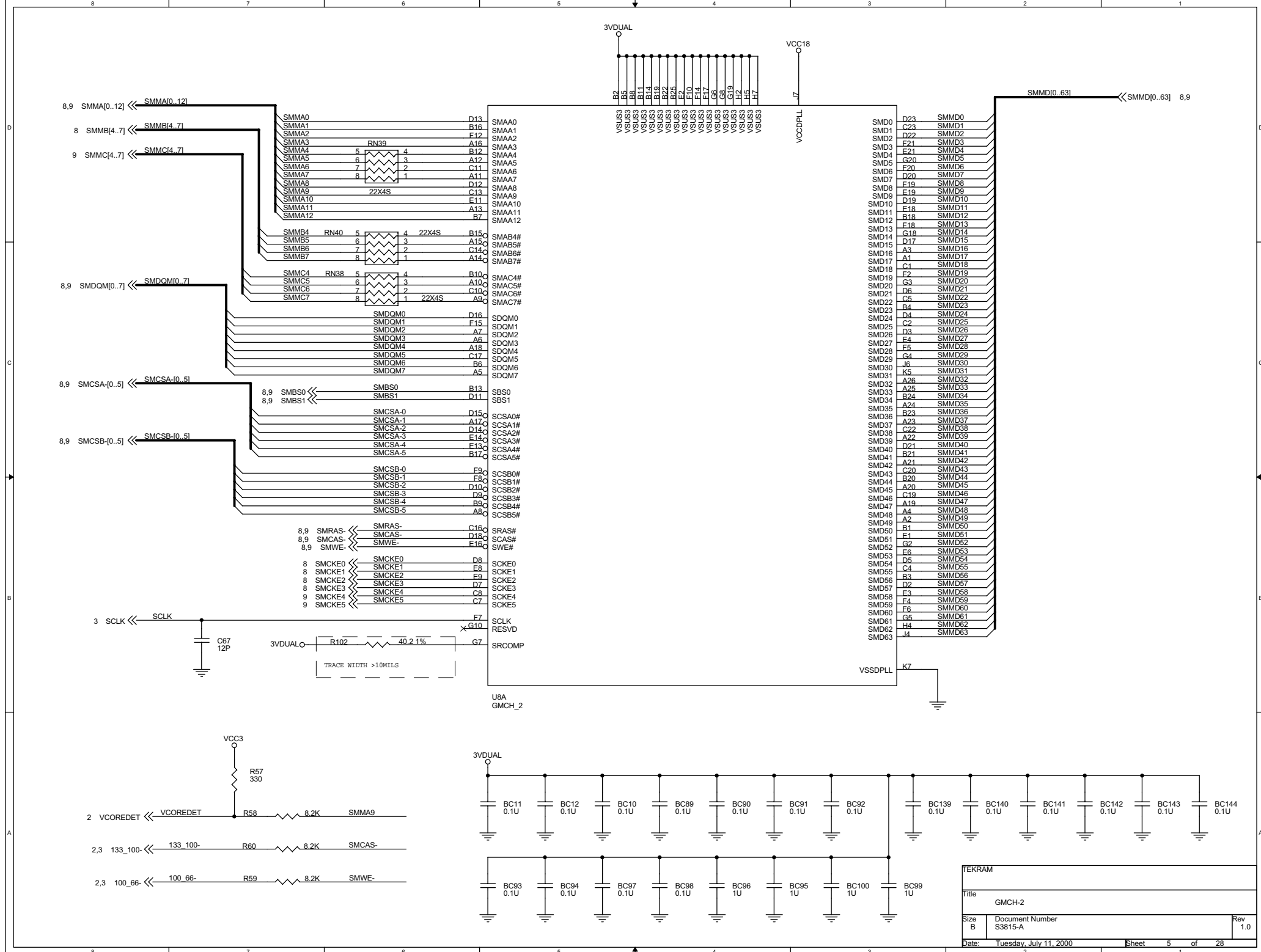
- |     |         |         |      |         |
|-----|---------|---------|------|---------|
| 3   | GMCHCLK | GMCHCLK | AA7  | HCLK    |
| 3   | PCIRST- | PCIRST- | H3   | RESETH  |
| 1,2 | CPURST- | CPURST- | AA5C | CPURST# |
| 2   | HLOCK-  | HLOCK-  | L4C  | HLOCK#  |
| 2   | DEFER-  | DEFER-  | M3C  | DEFER#  |
| 2   | ADS-    | ADS-    | G1C  | ADS#    |
| 1,2 | BNR-    | BNR-    | N4C  | BNR#    |
| 2   | BPRI-   | BPRI-   | M5C  | BPRI#   |
| 2   | DBSY-   | DBSY-   | J3C  | DBSY#   |
| 2   | DRDY-   | DRDY-   | J1C  | DRDY#   |
| 2   | HIT-    | HIT-    | K1C  | HIT#    |
| 2   | HITM-   | HITM-   | L3C  | HITM#   |
| 2   | HTRDY-  | HTRDY-  | K3C  | HTRDY#  |
- 
- |   |           |      |     |       |
|---|-----------|------|-----|-------|
| 1 | HA[3..31] | HA3  | R4C | HA3#  |
|   |           | HA4  | E1C | HA4#  |
|   |           | HA5  | T2C | HA5#  |
|   |           | HA6  | R3C | HA6#  |
|   |           | HA7  | N5C | HA7#  |
|   |           | HA8  | P5C | HA8#  |
|   |           | HA9  | R1C | HA9#  |
|   |           | HA10 | U1C | HA10# |
|   |           | HA11 | E2C | HA11# |
|   |           | HA12 | T1C | HA12# |
|   |           | HA13 | T3C | HA13# |
|   |           | HA14 | P3C | HA14# |
|   |           | HA15 | T5C | HA15# |
|   |           | HA16 | R6C | HA16# |
|   |           | HA17 | V6C | HA17# |
|   |           | HA18 | V2C | HA18# |
|   |           | HA19 | V3C | HA19# |
|   |           | HA20 | W1C | HA20# |
|   |           | HA21 | U4C | HA21# |
|   |           | HA22 | V2C | HA22# |
|   |           | HA23 | W3C | HA23# |
|   |           | HA24 | W4C | HA24# |
|   |           | HA25 | U5C | HA25# |
|   |           | HA26 | Y5C | HA26# |
|   |           | HA27 | Y3C | HA27# |
|   |           | HA28 | U3C | HA28# |
|   |           | HA29 | Y1C | HA29# |
|   |           | HA30 | W5C | HA30# |
|   |           | HA31 | V1C | HA31# |
- 
- |   |        |        |     |        |
|---|--------|--------|-----|--------|
| 2 | HREQ-0 | HREQ-0 | M1C | HREQ0# |
| 2 | HREQ-1 | HREQ-1 | N1C | HREQ1# |
| 2 | HREQ-2 | HREQ-2 | M2C | HREQ2# |
| 2 | HREQ-3 | HREQ-3 | L5C | HREQ3# |
| 2 | HREQ-4 | HREQ-4 | N3C | HREQ4# |
- 
- |   |      |      |     |      |
|---|------|------|-----|------|
| 2 | RS-0 | RS-0 | K2C | RS0# |
| 2 | RS-1 | RS-1 | L1C | RS1# |
| 2 | RS-2 | RS-2 | H1C | RS2# |



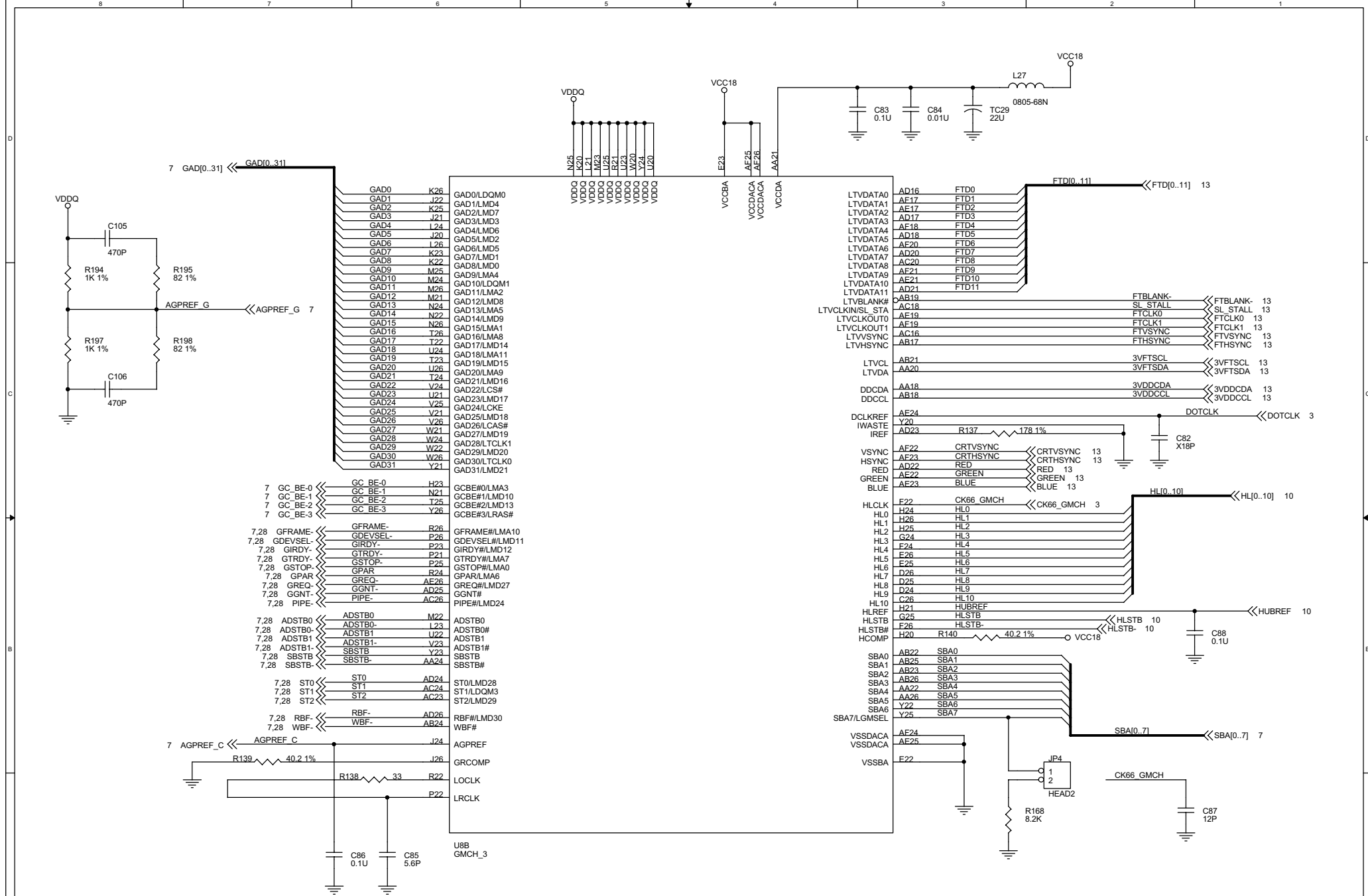
HD10\_631 << HD[0..63] 1

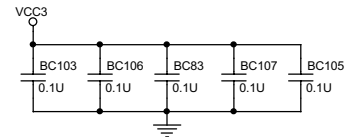
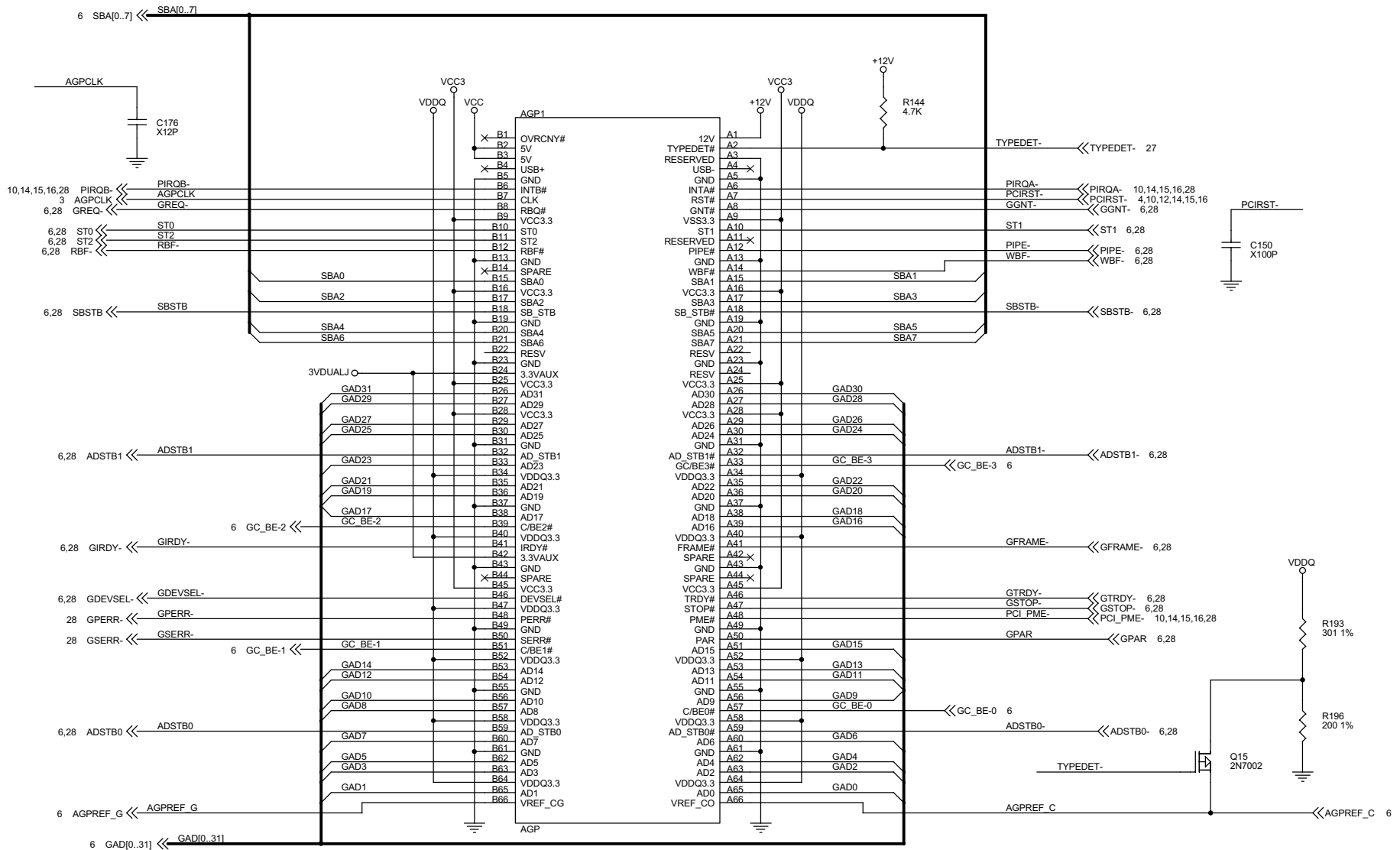
U8  
GMCH\_1

TEKRAM		
Title GMCH -1		
Size B	Document Number S3815-A	Rev 1.0
Date: Tuesday, July 11, 2000	Sheet 4	of 28

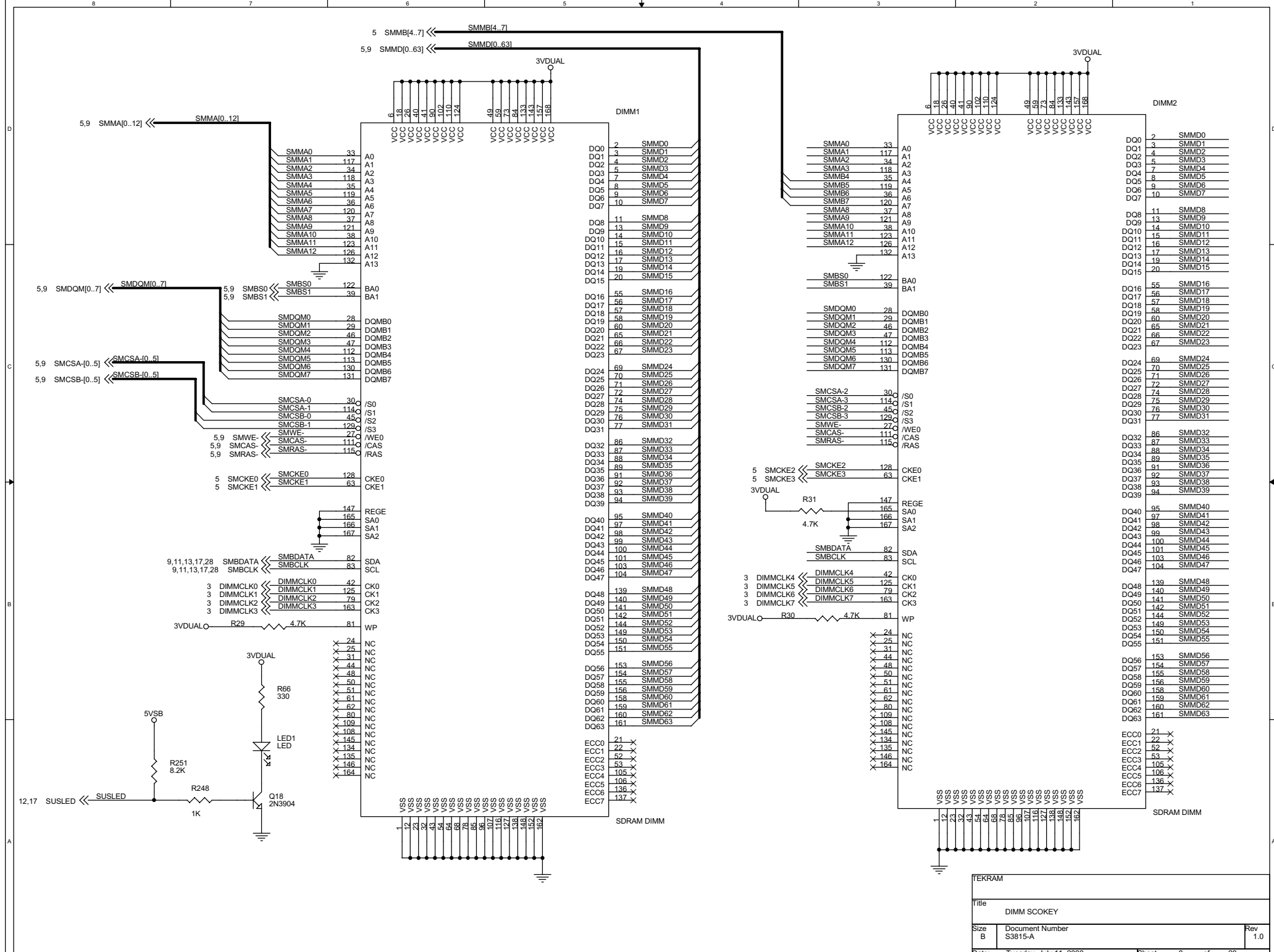


TEKRAM		
Title GMCH-2		
Size B	Document Number S3815-A	Rev 1.0
Date: Tuesday, July 11, 2000	Sheet 5	of 28



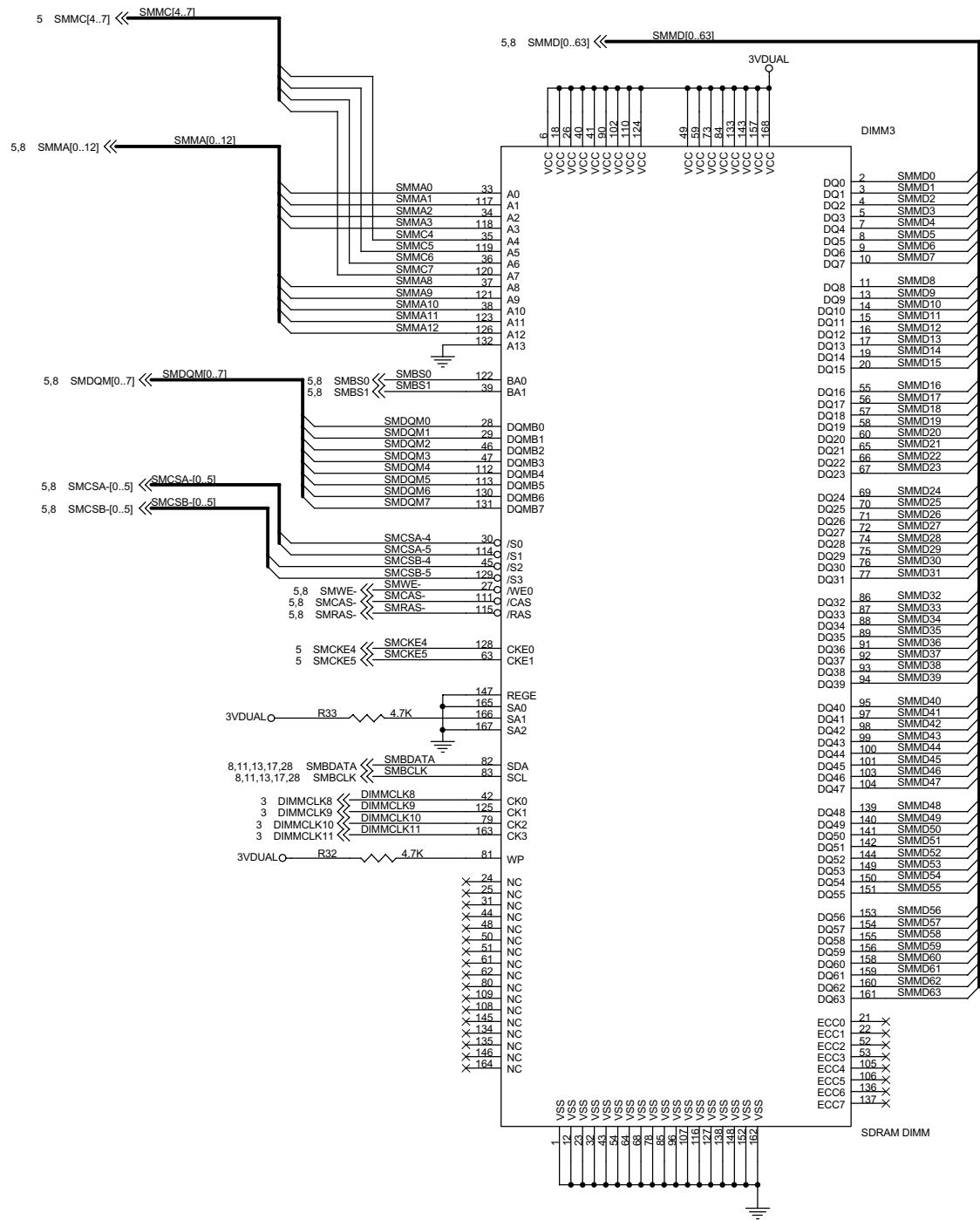


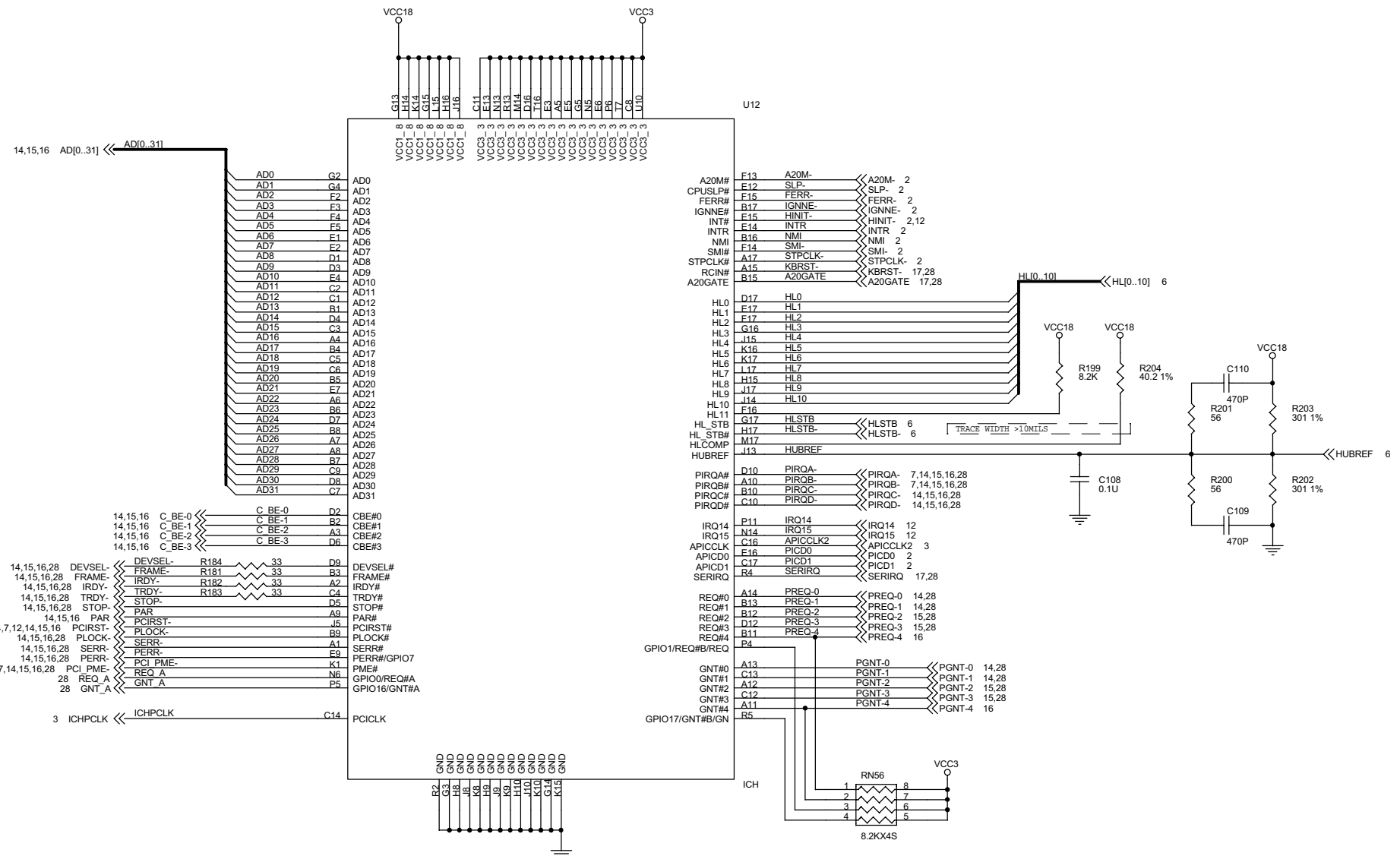
TEKRAM			
Title AGP CONNECTOR			
Size B	Document Number S3815-A	Rev 1.0	
Date: Tuesday, July 11, 2000	Sheet 7	of 28	



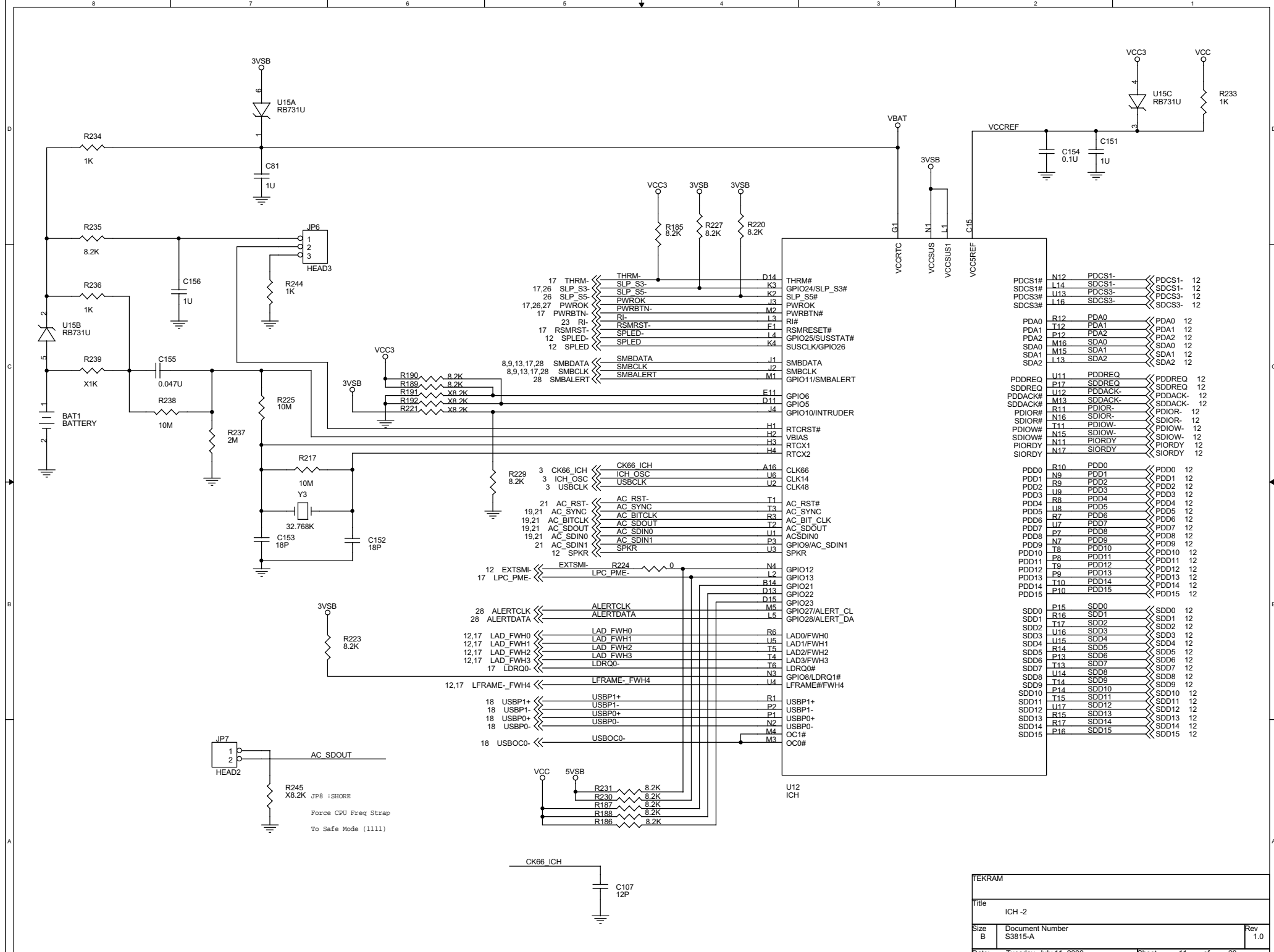
TEKRAM		
Title DIMM SCOKEY		
Size B	Document Number S3815-A	Rev 1.0
Date: Tuesday, July 11, 2000	Sheet 8	of 28



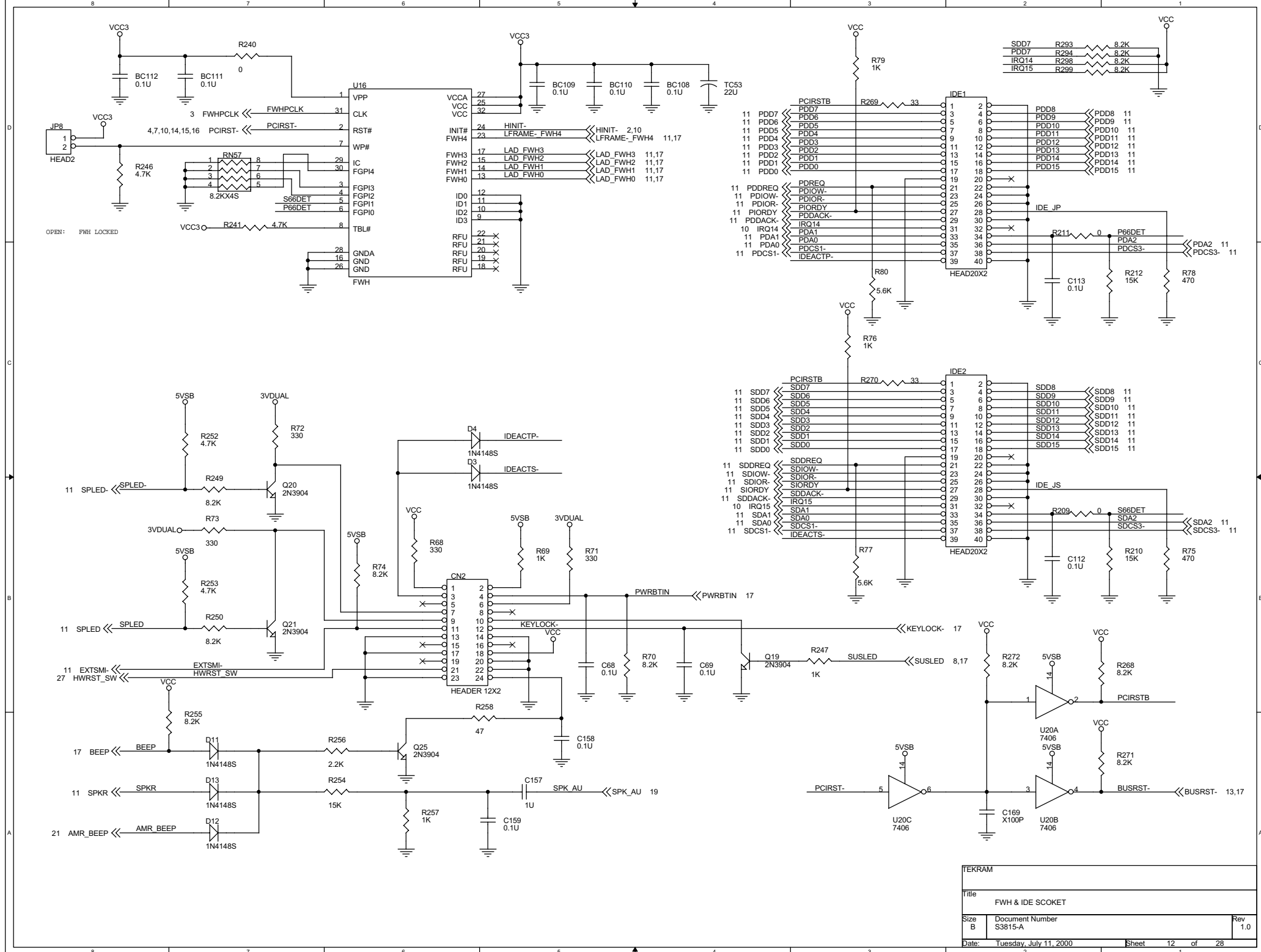




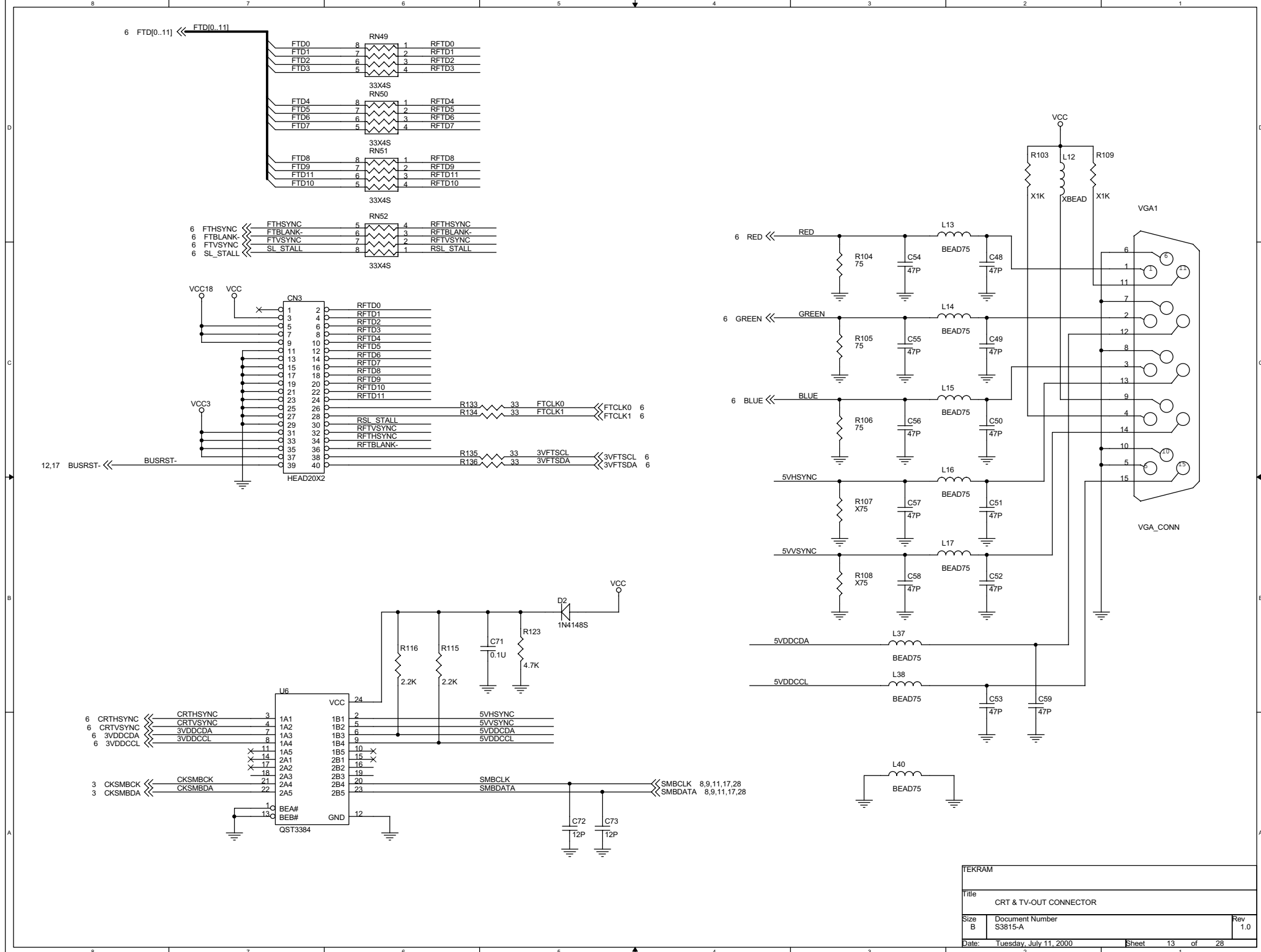
TEKRAM		
Title ICH - 1		
Size B	Document Number S3815-A	Rev 1.0
Date: Tuesday, July 11, 2000	Sheet 10	of 28



TEKRAM		
Title ICH-2		
Size B	Document Number S3815-A	Rev 1.0
Date: Tuesday, July 11, 2000	Sheet 11	of 28

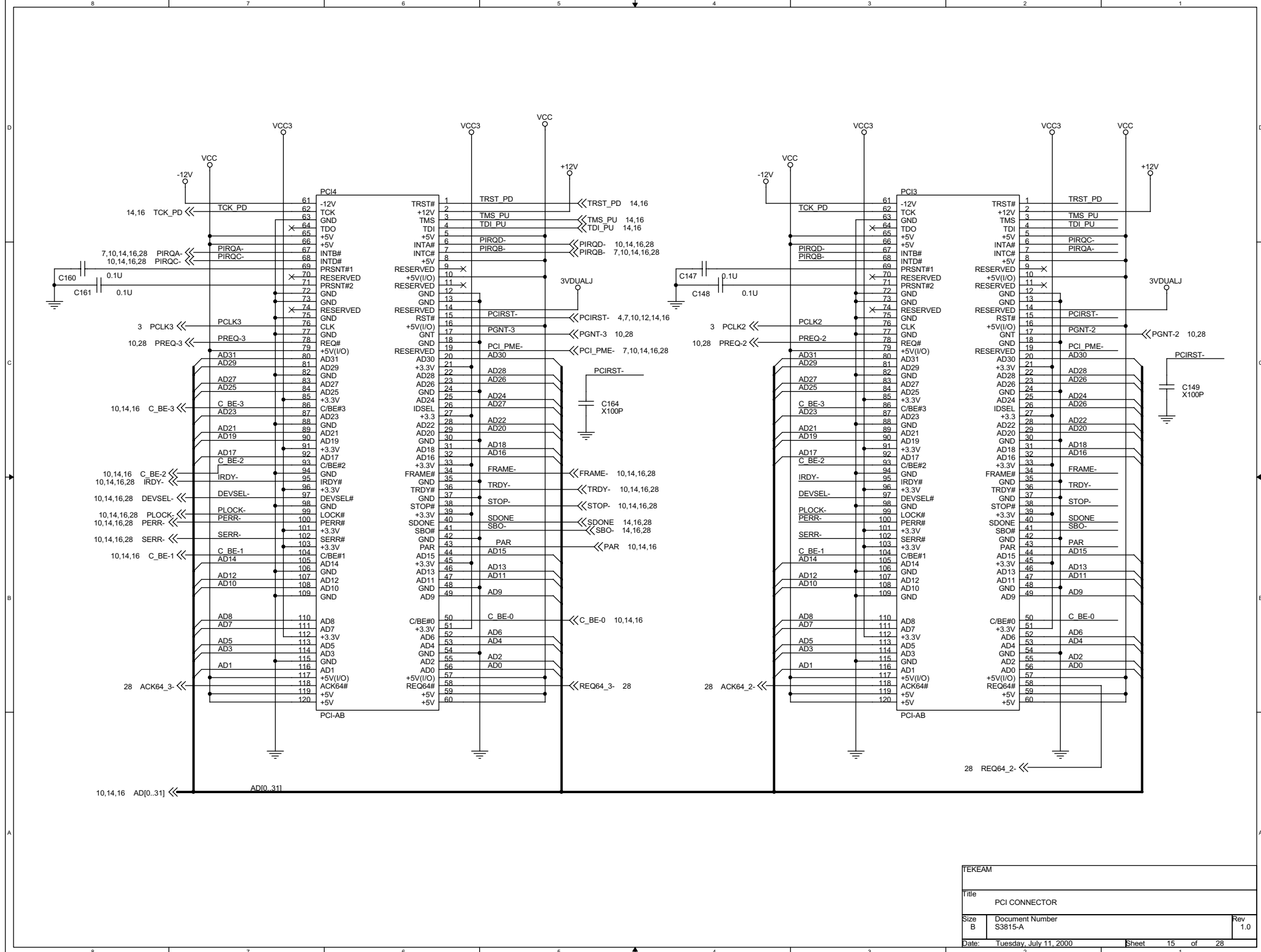


TEKRAM		
Title FWH & IDE SOCKET		
Size B	Document Number S3815-A	Rev 1.0
Date: Tuesday, July 11, 2000	Sheet 12	of 28

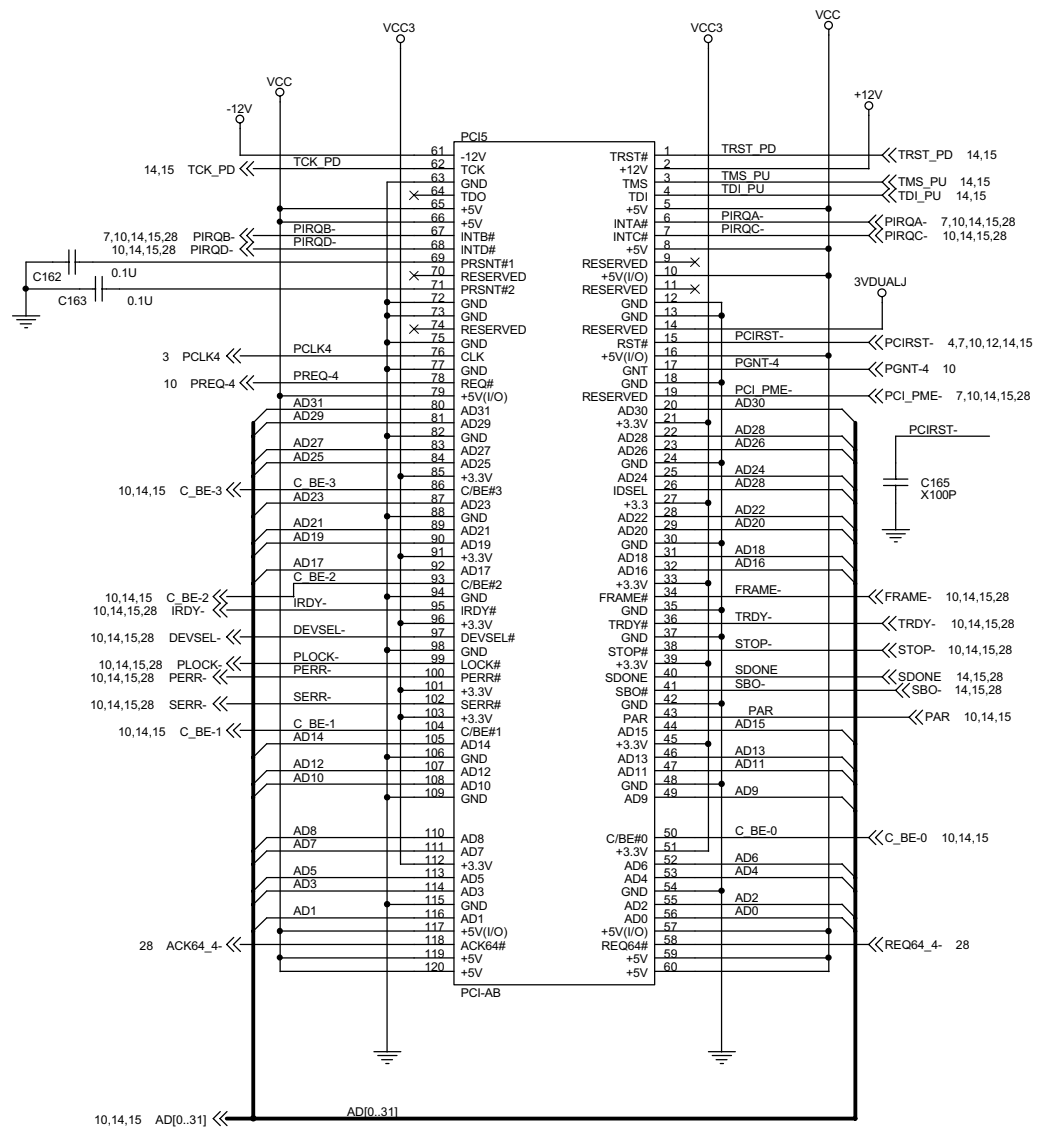


TEKRAM		
Title CRT & TV-OUT CONNECTOR		
Size B	Document Number S3815-A	Rev 1.0
Date: Tuesday, July 11, 2000	Sheet 13	of 28



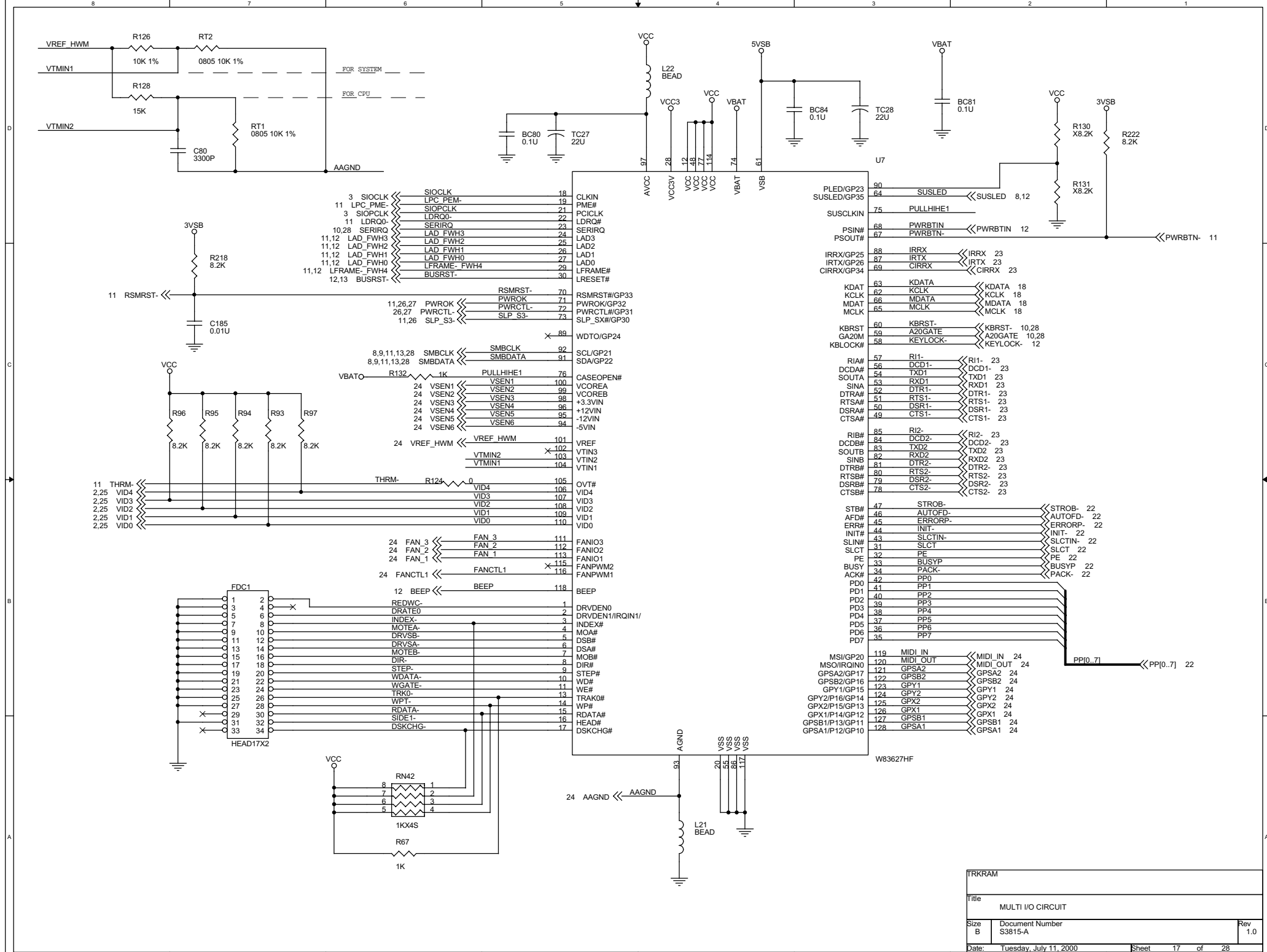


FEKEAM			
Title PCI CONNECTOR			
Size B	Document Number S3815-A		Rev 1.0
Date: Tuesday, July 11, 2000	Sheet 15		of 28

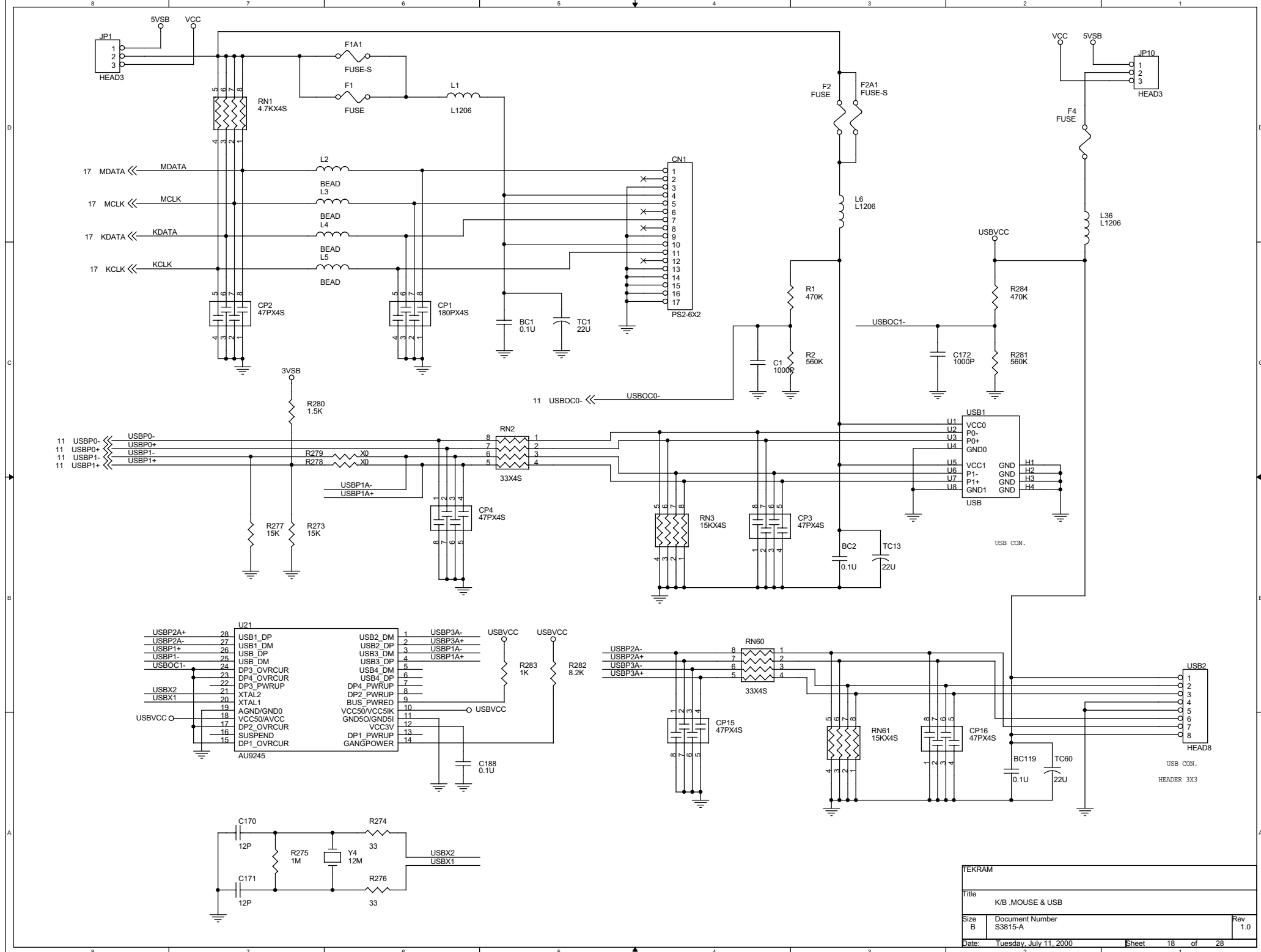


FEKEAM		
Title PCI CONNECTOR		
Size B	Document Number S3815-A	Rev 1.0
Date: Tuesday, July 11, 2000	Sheet 2	16 of 28

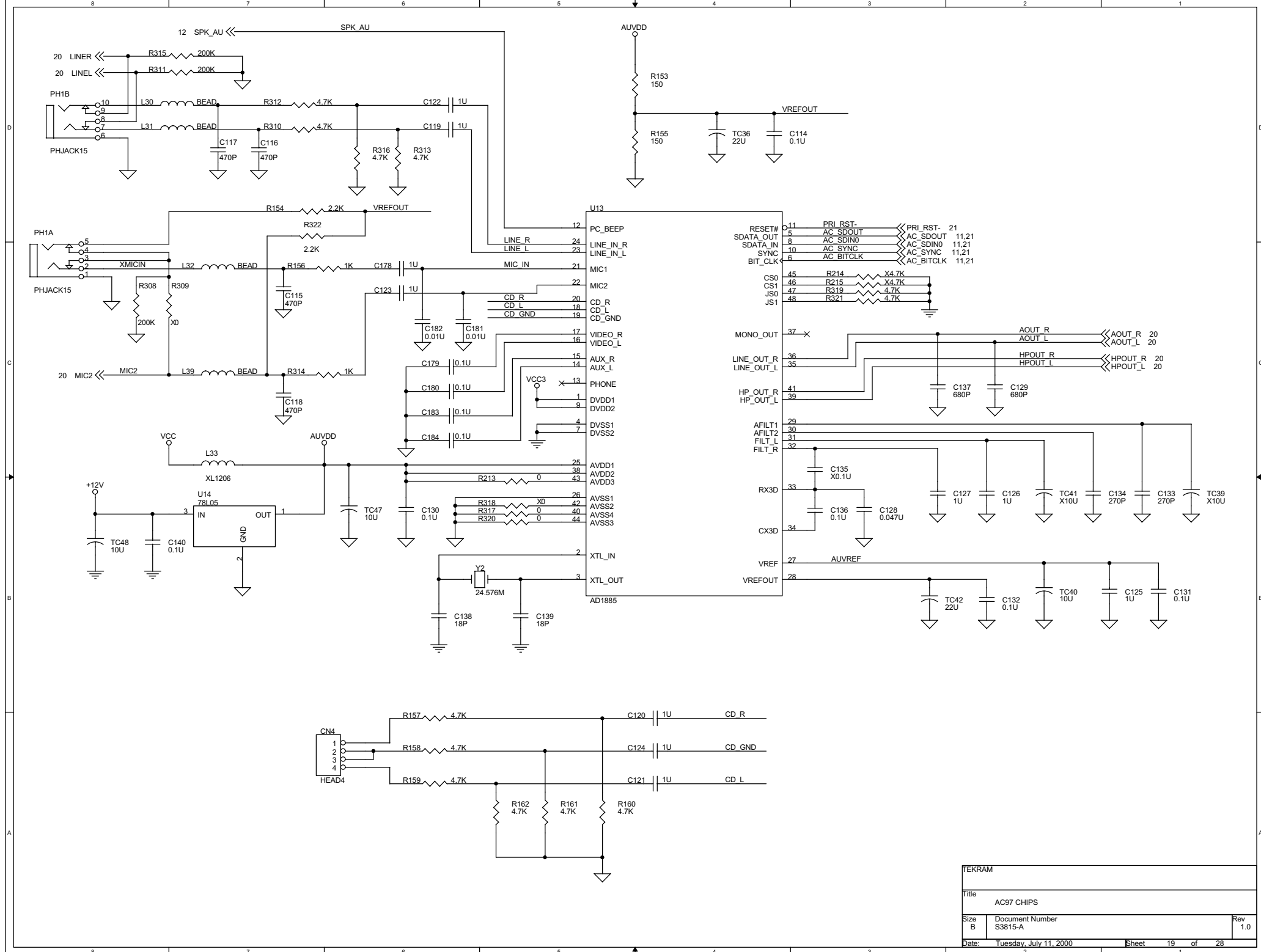




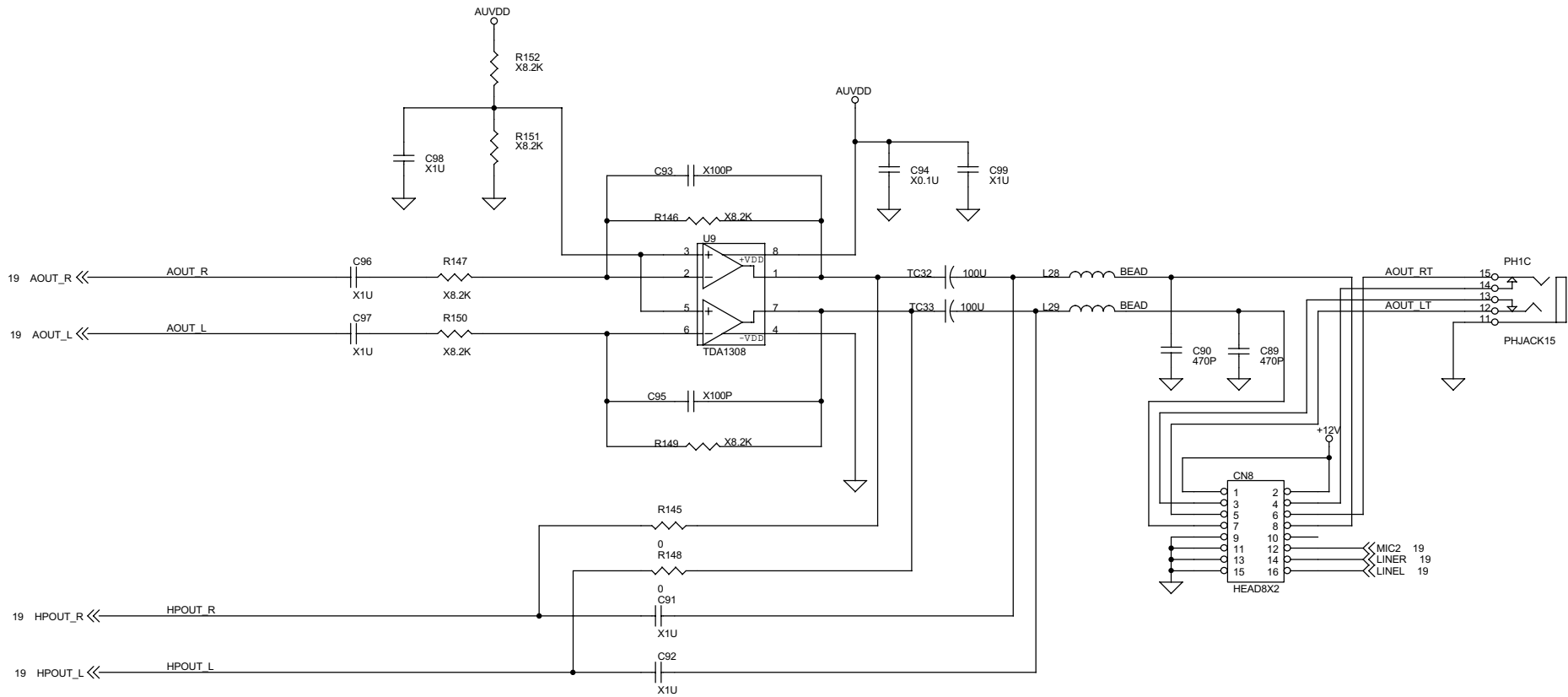
3	SIOCLK	<<	SIOCLK	18	CLKIN	90	PLED/GP23	<<	SUSLED	8,12	
11	LPC_PME	<<	LPC_PEM	19	PME#	64	SUSLED/GP35	<<	SUSLED		
3	SIOPCLK	<<	SIOPCLK	21	PCICLK	75	SUSCLKIN	<<	PULLHIHE1		
11	LDRQ0	<<	LDRQ0	22	LDRQ#	68	PWRBTIN	<<	PWRBTIN	12	
10,28	SERIRO	<<	LAD_FWH3	23	SERIRO	67	PSOUT#	<<	PWRBTIN		
11,12	LAD_FWH3	<<	LAD_FWH2	25	LAD3	88	IRRX/GP25	<<	IRRX	23	
11,12	LAD_FWH2	<<	LAD_FWH1	26	LAD2	87	IRTX/GP28	<<	IRTX	23	
11,12	LAD_FWH1	<<	LAD_FWH0	27	LAD0	69	CIRRX/GP34	<<	CIRRX	23	
11,12	LFRAME_FWH4	<<	LFRAME_FWH4	29	LFRAME#	63	KDATA	<<	KDATA	18	
12,13	BUSRST	<<	BUSRST	30	LRESET#	62	KCLK	<<	KCLK	18	
						66	MDATA	<<	MDATA	18	
						65	MCLK	<<	MCLK	18	
						60	KBRST	<<	KBRST	10,28	
						59	A20GATE	<<	A20GATE	10,28	
						58	KEYLOCK	<<	KEYLOCK	12	
						57	R11	<<	R11	23	
						56	DCD1	<<	DCD1	23	
						54	TXD1	<<	TXD1	23	
						53	RXD1	<<	RXD1	23	
						52	DTR1	<<	DTR1	23	
						51	RTS1	<<	RTS1	23	
						50	DSR1	<<	DSR1	23	
						49	CTS1	<<	CTS1	23	
						85	R12	<<	R12	23	
						84	DCD2	<<	DCD2	23	
						83	TXD2	<<	TXD2	23	
						82	RXD2	<<	RXD2	23	
						81	DTR2	<<	DTR2	23	
						80	RTS2	<<	RTS2	23	
						79	DSR2	<<	DSR2	23	
						78	CTS2	<<	CTS2	23	
						47	STROB	<<	STROB	22	
						46	AUTOFD	<<	AUTOFD	22	
						45	ERRORP	<<	ERRORP	22	
						44	INIT	<<	INIT	22	
						43	SLCTIN	<<	SLCTIN	22	
						31	SLCT	<<	SLCT	22	
						32	PE	<<	PE	22	
						33	BUSYP	<<	BUSYP	22	
						34	PACK	<<	PACK	22	
						42	PP0	<<	PP[0..7]	22	
						41	PP1	<<	PP[0..7]		
						40	PP2	<<	PP[0..7]		
						39	PP3	<<	PP[0..7]		
						38	PP4	<<	PP[0..7]		
						37	PP5	<<	PP[0..7]		
						36	PP6	<<	PP[0..7]		
						35	PP7	<<	PP[0..7]		
						119	MIDI_IN	<<	MIDI_IN	24	
						120	MIDI_OUT	<<	MIDI_OUT	24	
						121	GPSA2	<<	GPSA2	24	
						122	GPSB2	<<	GPSB2	24	
						123	GPY1	<<	GPY1	24	
						124	GPY2	<<	GPY2	24	
						125	GPX2	<<	GPX2	24	
						126	GPX1	<<	GPX1	24	
						127	GPSB1	<<	GPSB1	24	
						128	GPSA1	<<	GPSA1	24	



TEKRAM			
Title K/B_MOUSE & USB			
Size B	Document Number S3815-A		Rev 1.0
Date: Tuesday, July 11, 2000	Sheet 18		of 28

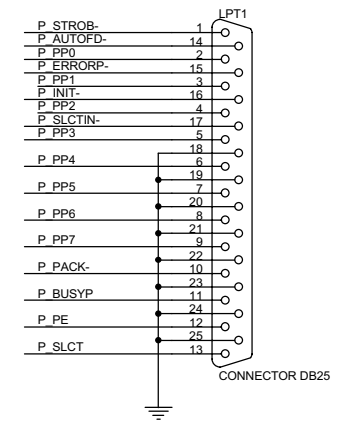
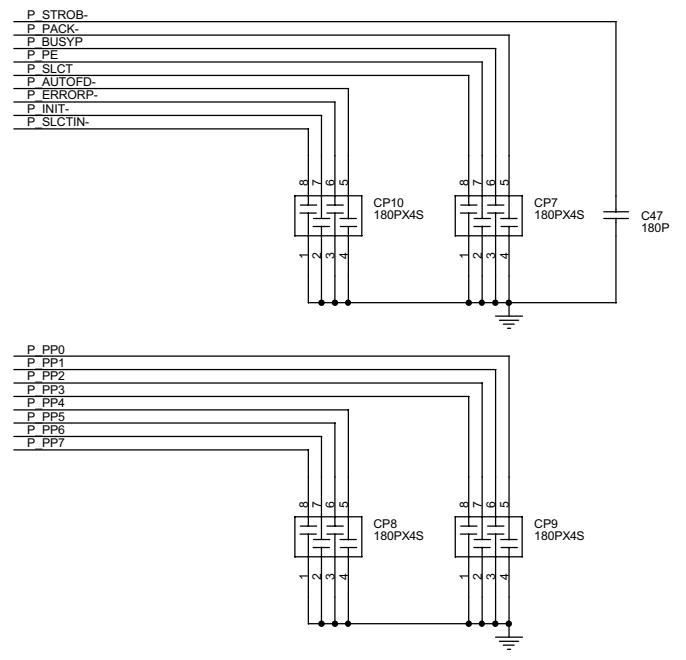
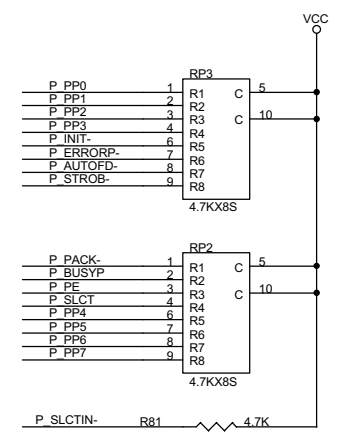
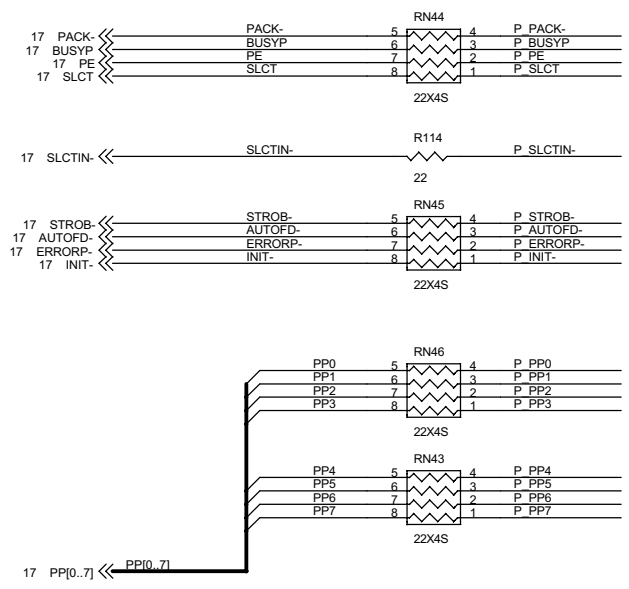


TEKRAM			
Title AC97 CHIPS			
Size B	Document Number S3815-A	Rev 1.0	
Date: Tuesday, July 11, 2000	Sheet 19	of 28	

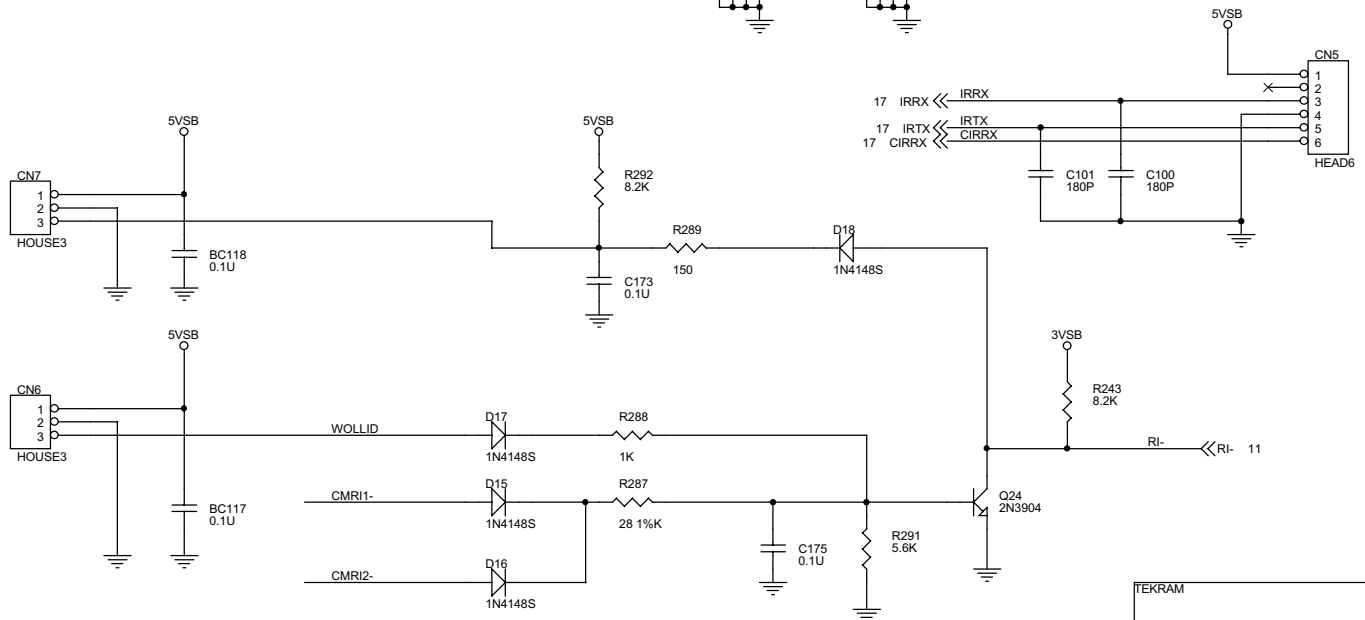
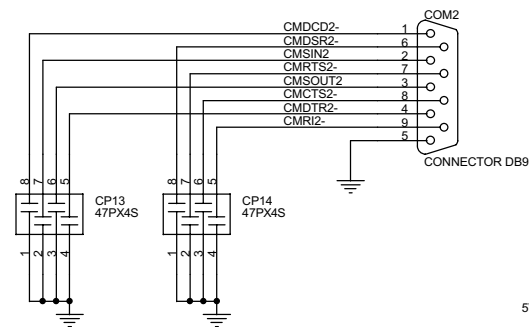
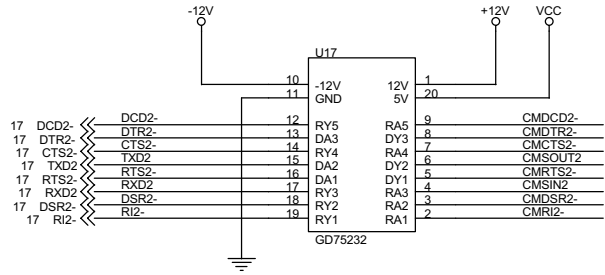
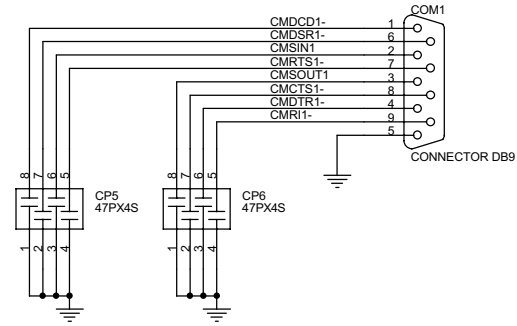
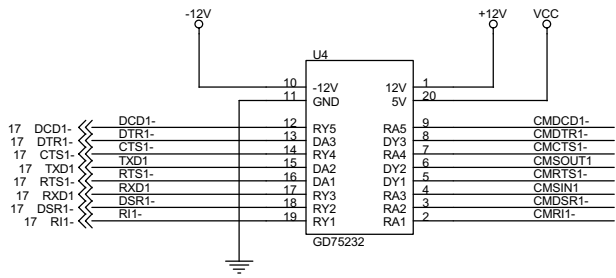


TEKRAM			
Title			
AMP IC			
Size	Document Number	Rev	
B	S3815-A	1.0	
Date:	Tuesday, July 11, 2000	Sheet	20 of 28

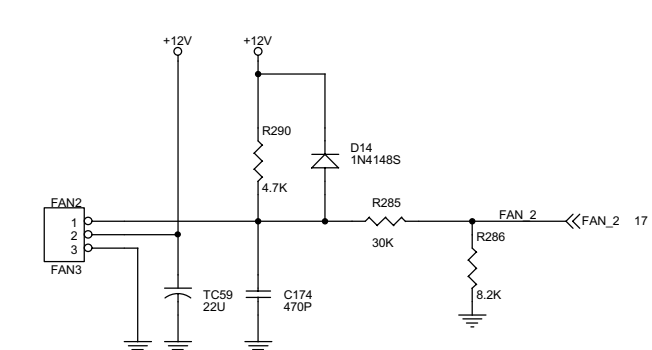
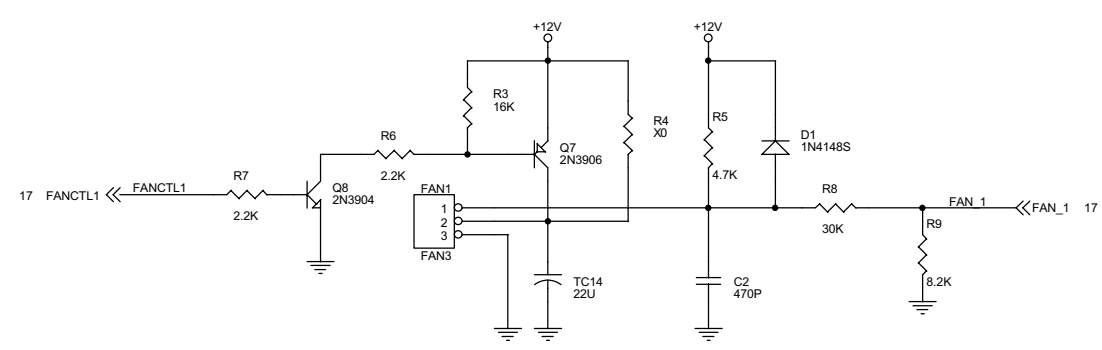
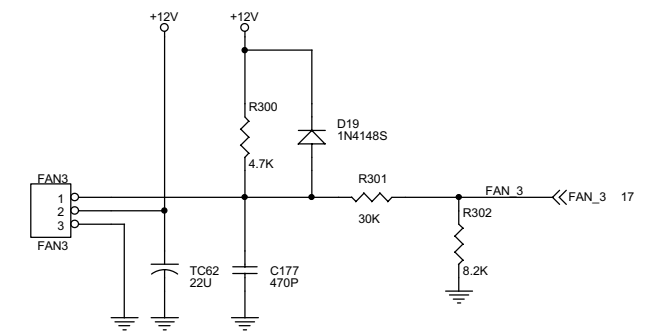
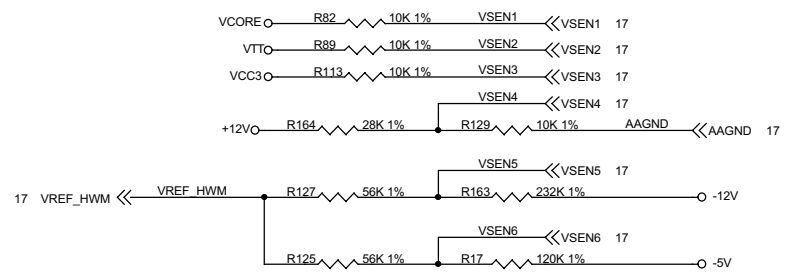
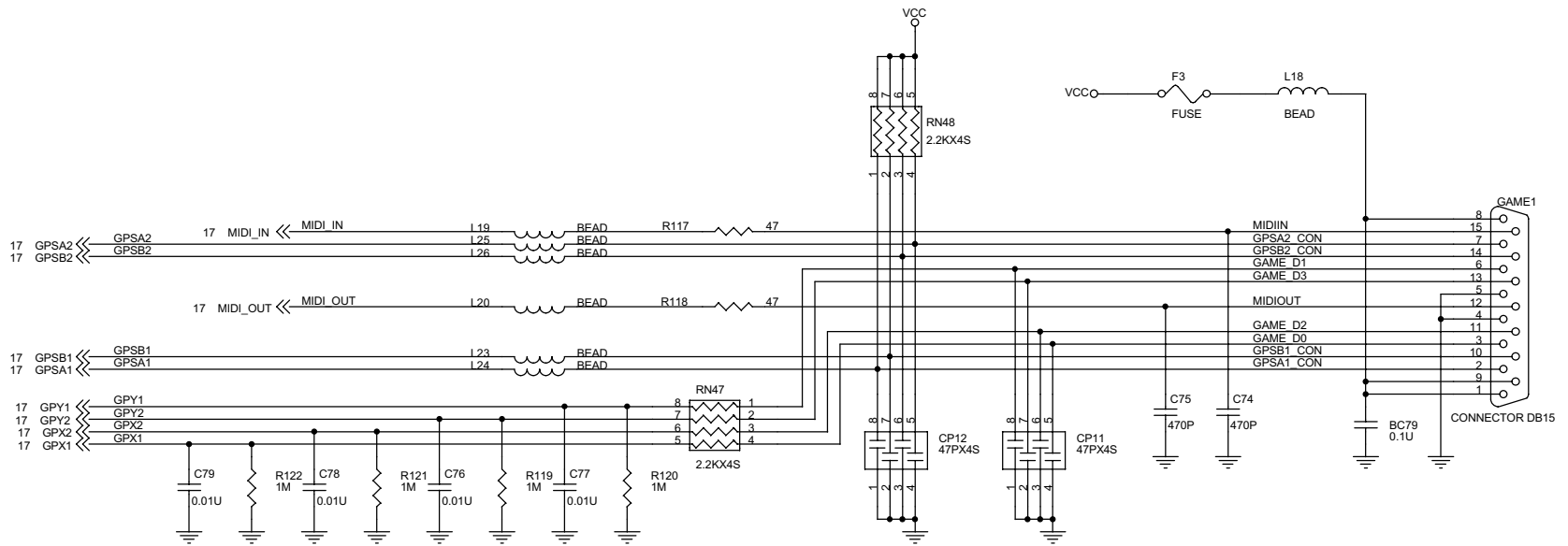




TEKRAM		
Title LPT		
Size B	Document Number S3815-A	Rev 1.0
Date: Tuesday, July 11, 2000	Sheet 22	of 28

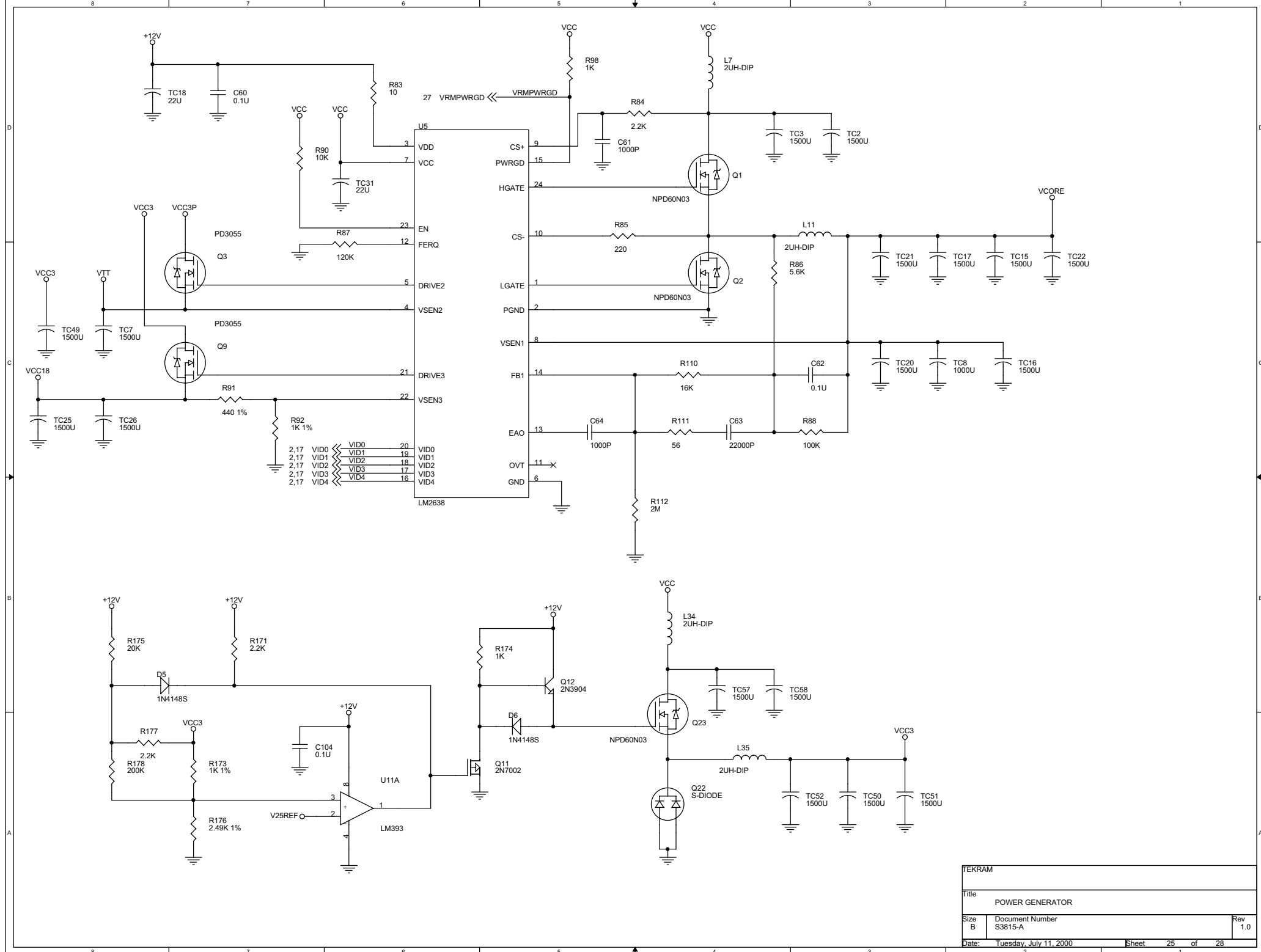


TEKRAM		
Title SERIAL PORTS		
Size B	Document Number S3815-A	Rev 1.0
Date: Tuesday, July 11, 2000	Sheet 23	of 28

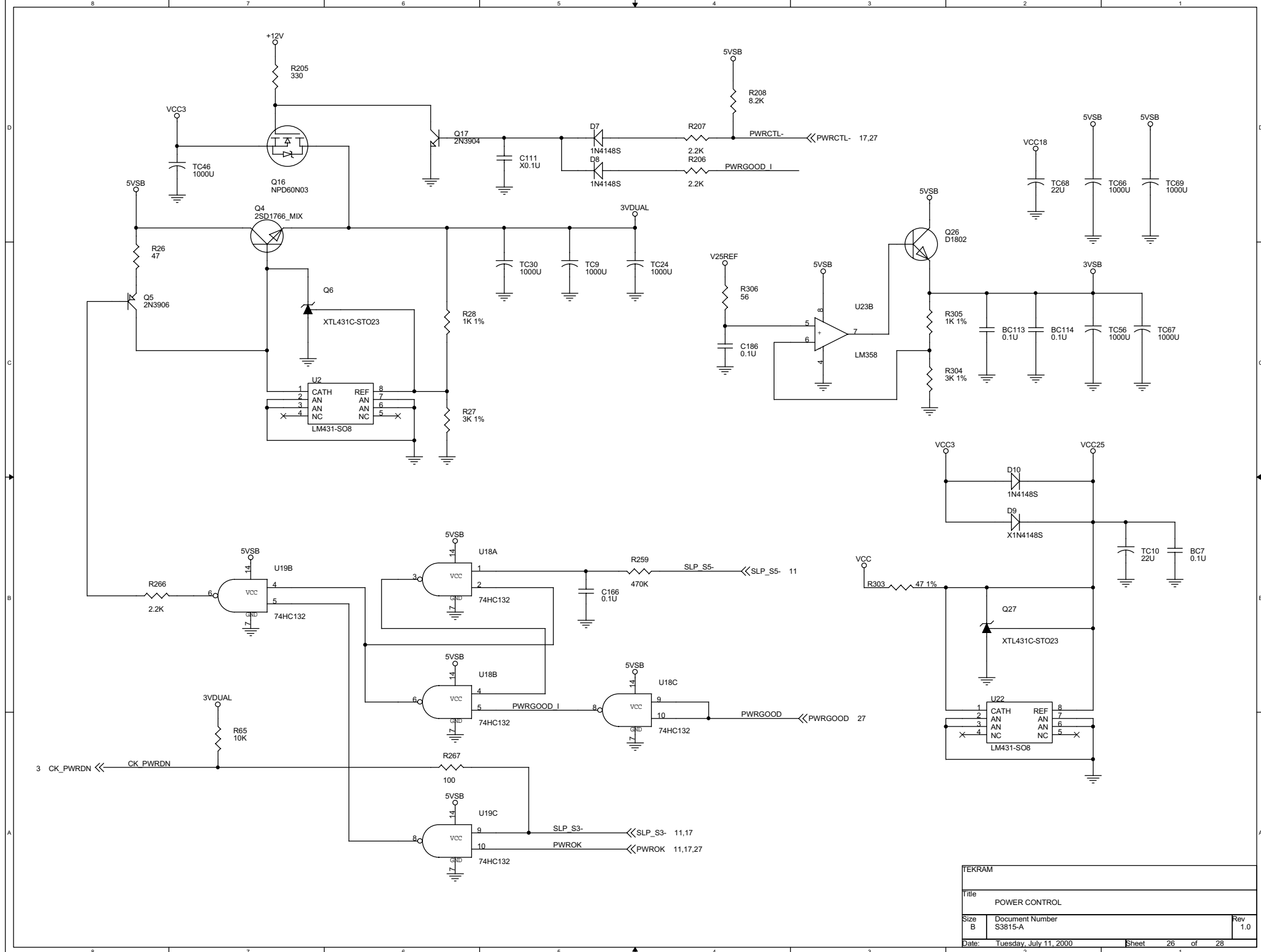


TEKRAM		
Title GAME PORT & FAN CONNECTOR		
Size B	Document Number S3815-A	Rev 1.0
Date: Tuesday, July 11, 2000	Sheet 24	of 28

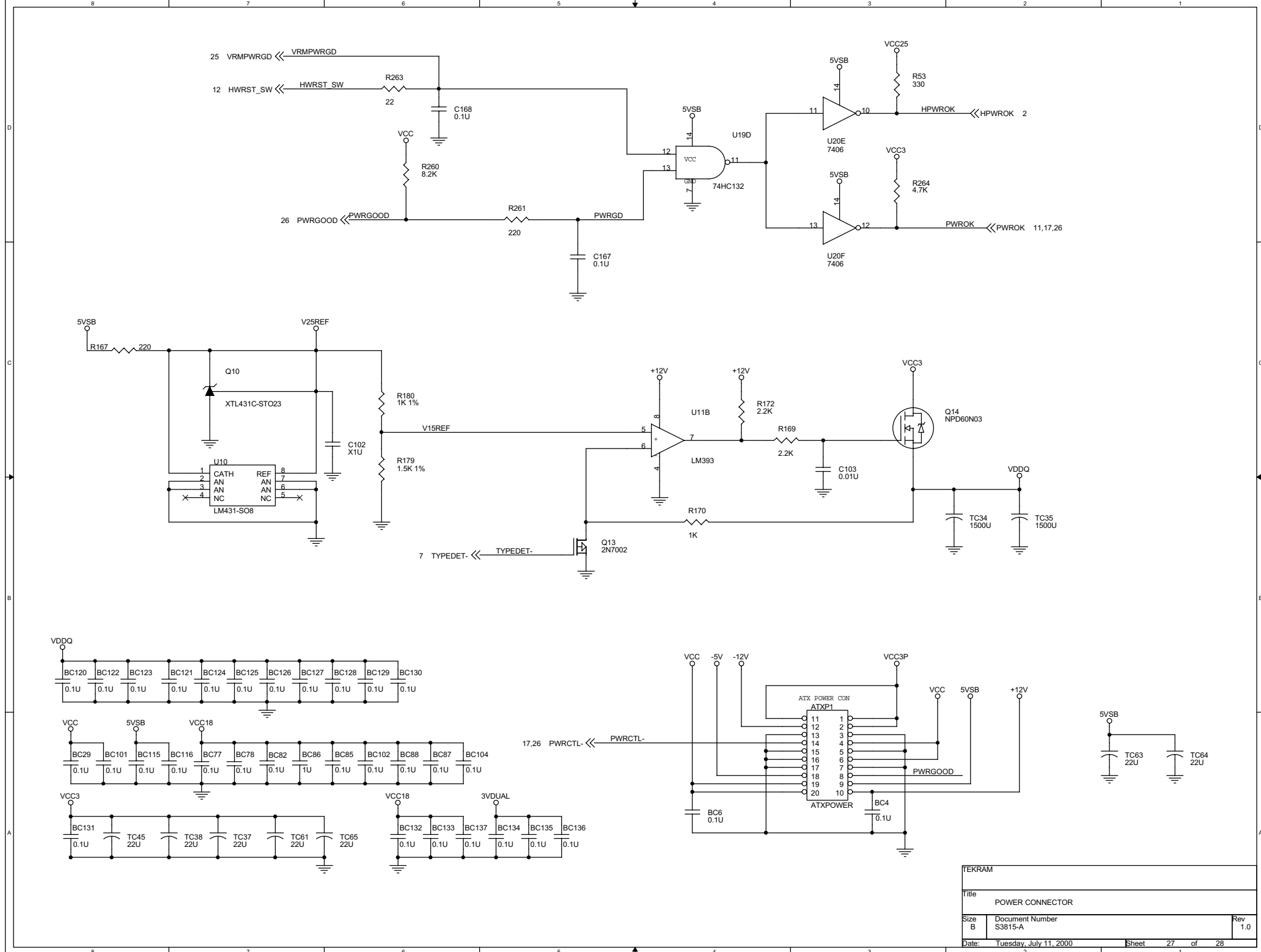




TEKRAM			
Title POWER GENERATOR			
Size B	Document Number S3815-A	Rev 1.0	
Date: Tuesday, July 11, 2000	Sheet 25	of 28	



TEKRAM		
Title POWER CONTROL		
Size B	Document Number S3815-A	Rev 1.0
Date: Tuesday, July 11, 2000	Sheet 26	of 28



FEKRAM		
Title POWER CONNECTOR		
Size B	Document Number S3815-A	Rev 1.0
Date: Tuesday, July 11, 2000	Sheet 27	of 28

