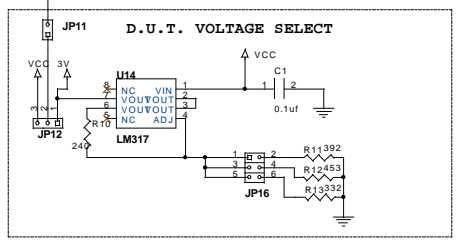
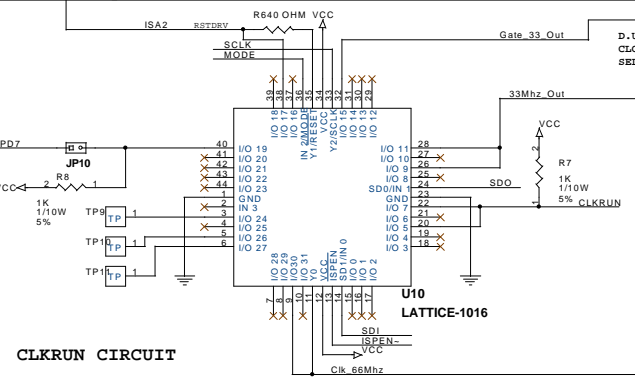
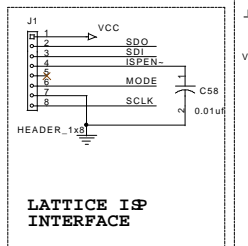
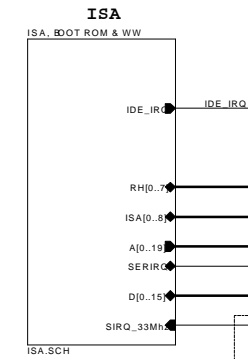
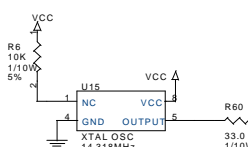
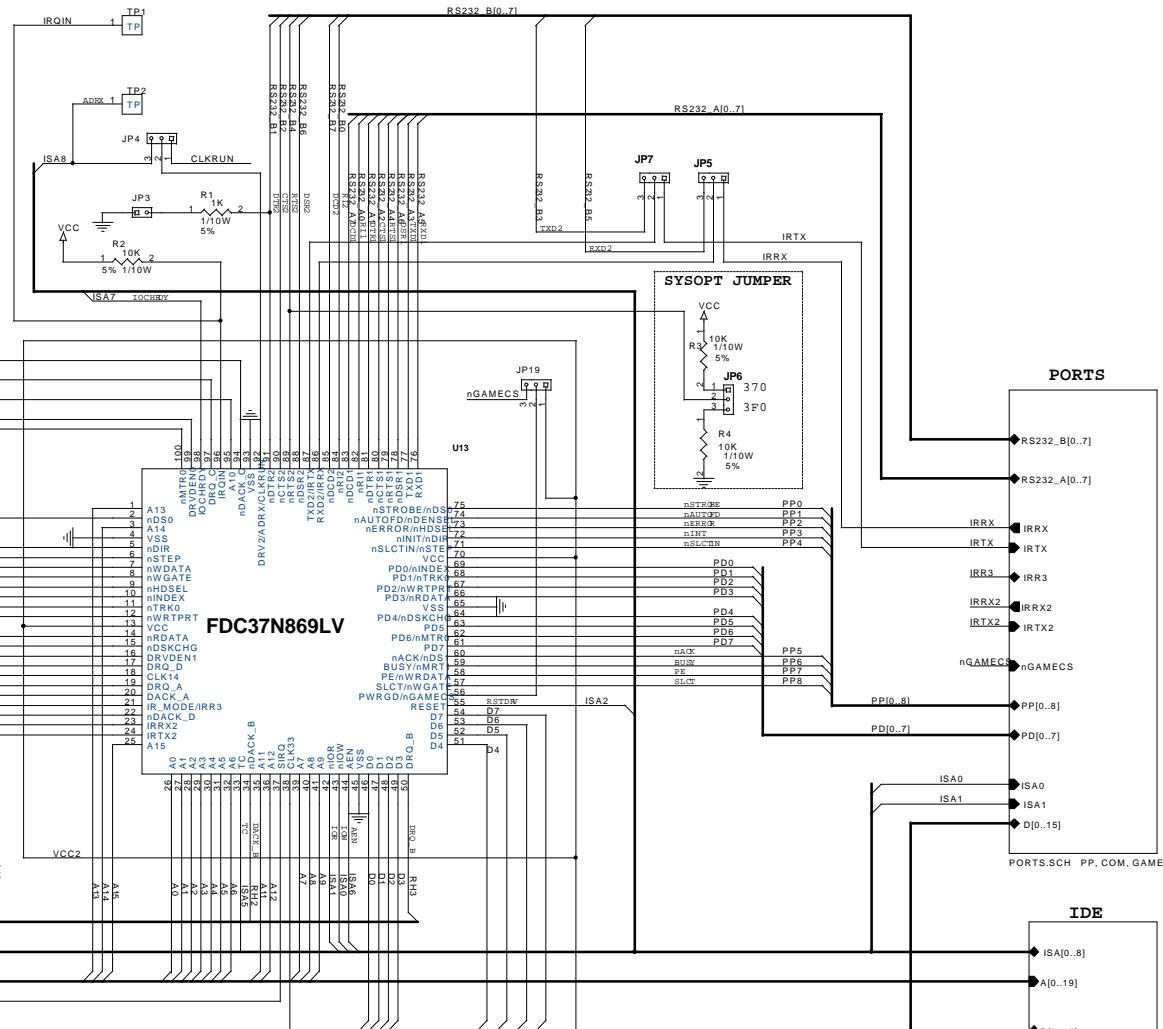
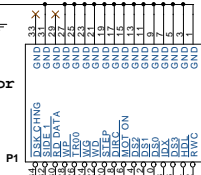


# FDC37N869 SUPER I/O EVALUATION BOARD

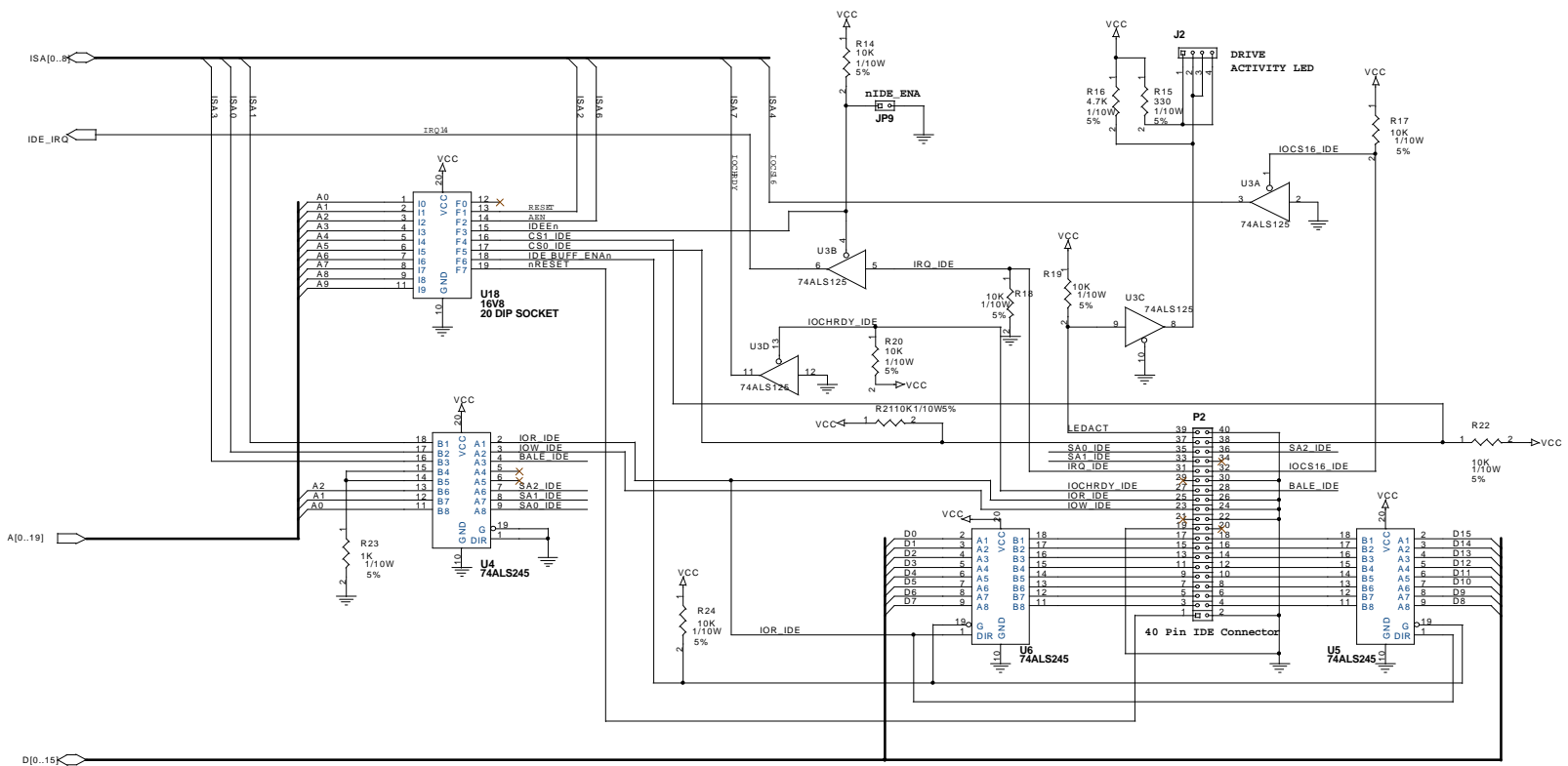
Circuit diagrams utilizing SMSC products included as a means of illustrating typical semiconductor applications. Consequently, complete information sufficient for commercial purposes is not necessarily given. The information has been carefully checked and is believed to be entirely reliable. However, responsibility is assumed for inaccuracies. Furthermore, information does not convey to the purchaser of the semiconductor described any license under the patent rights of SMSC. SMSC reserves the right to make changes at any time in order to improve design and supply the best product possible.

Note 1. Isolate the FDC37N869LV VCC pin on the POWER layer. Connect an isolated supply to the board supply through the TP jumps.

## 34 Pin Floppy Connector

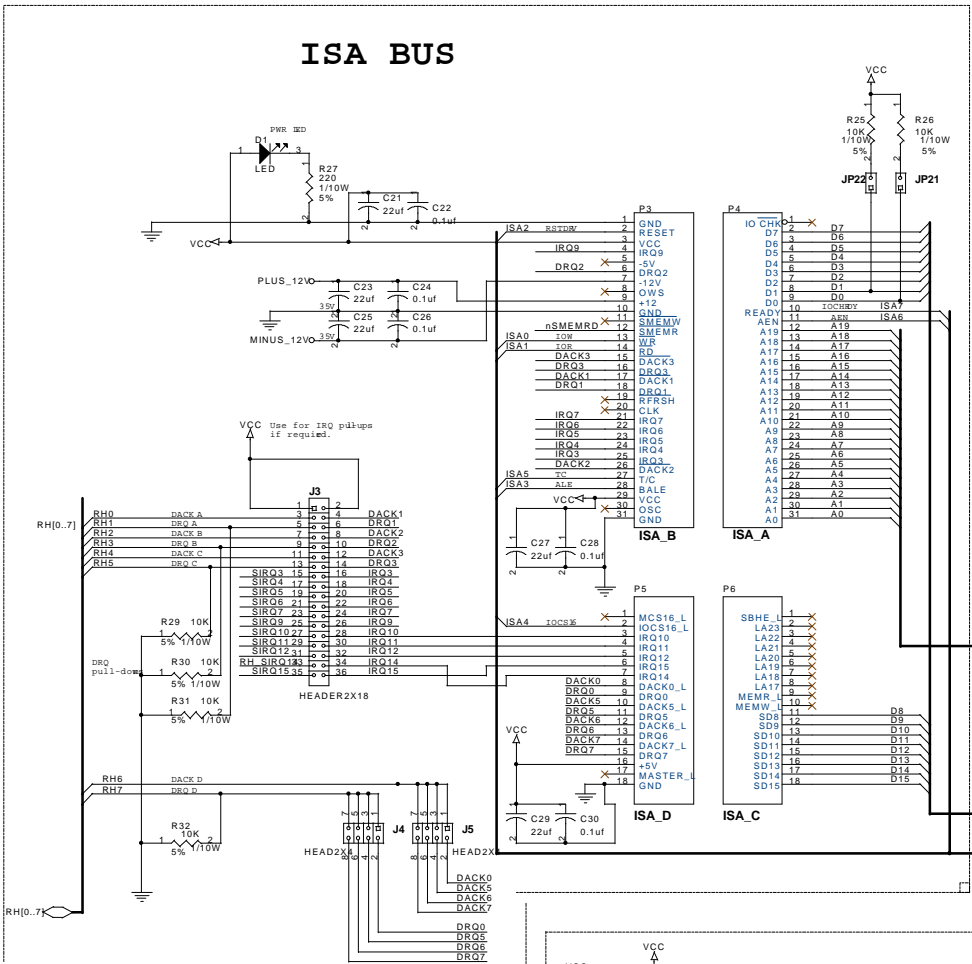


STANDARD MICROSYSTEMS CORPORATION			
800 Kennedy Drive Hauppauge, New York 11788			
File #	FDC37N869 EVALUATION BOARD		
Form C	Document Number	6092	Rev A
Date	Sheet	1	4 of 4

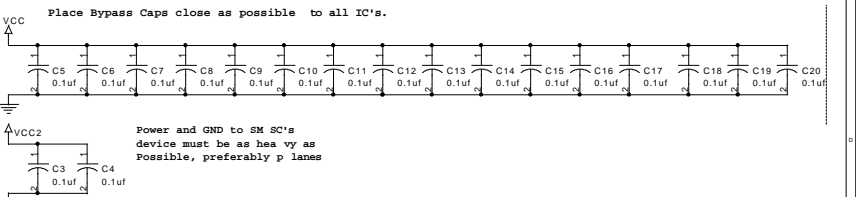
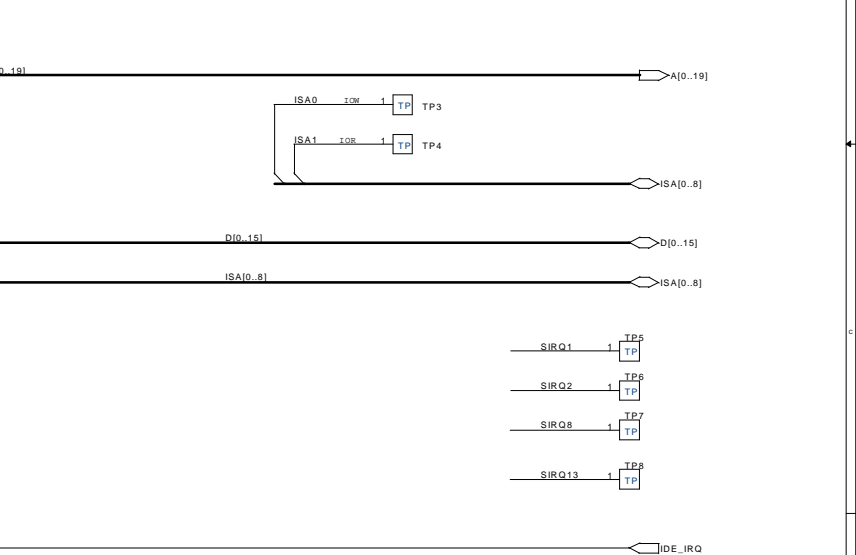
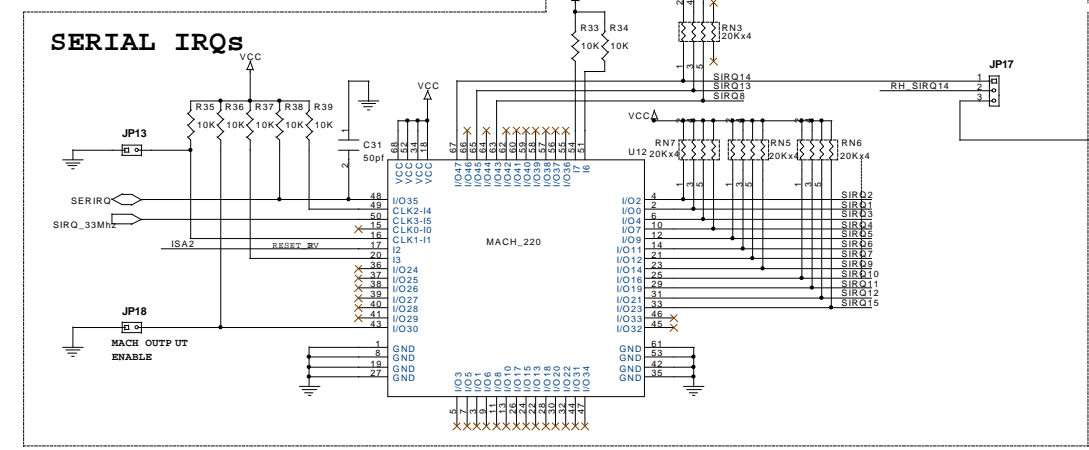
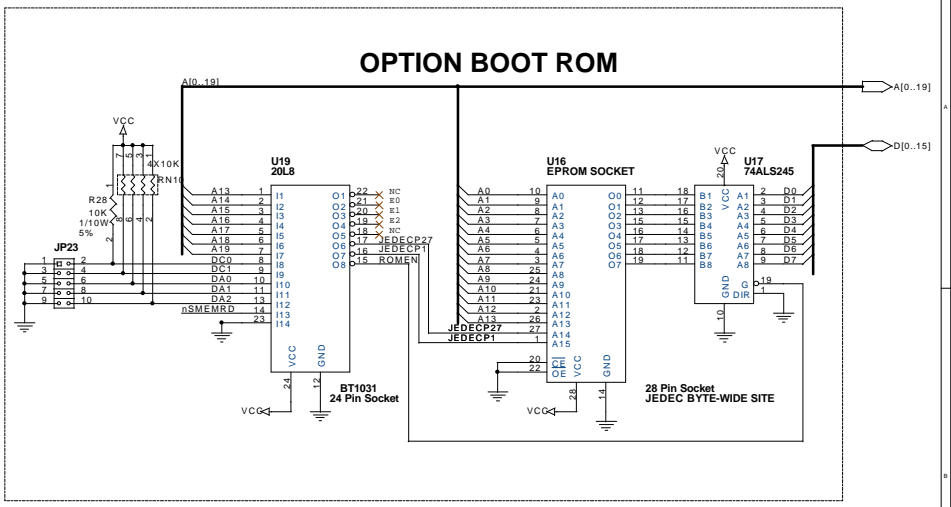


## IDE INTERFACE

# ISA BUS

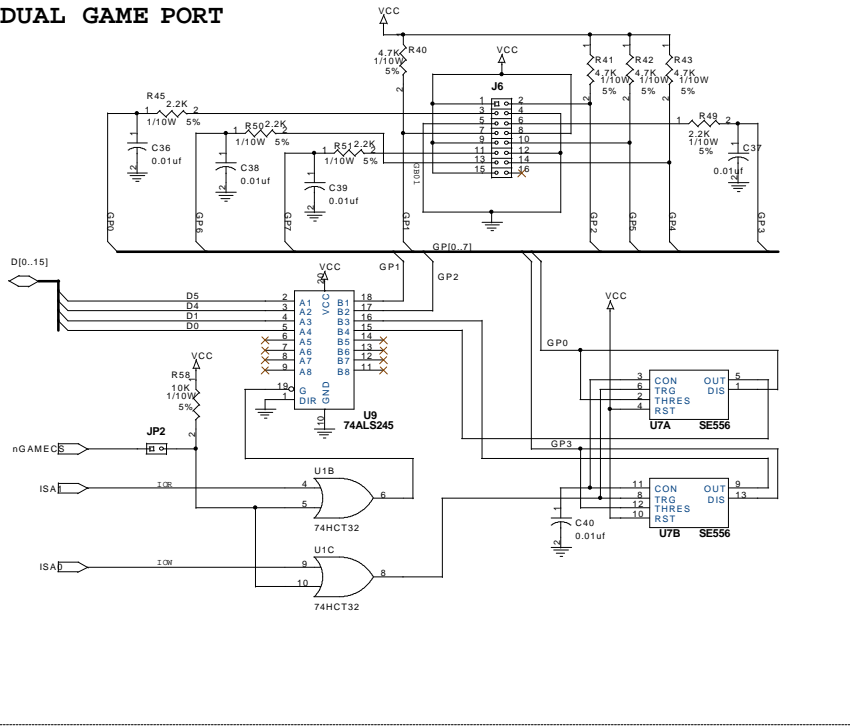


# OPTION BOOT ROM

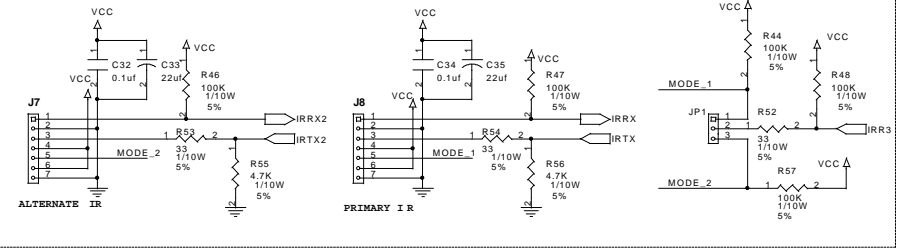


# PORTS

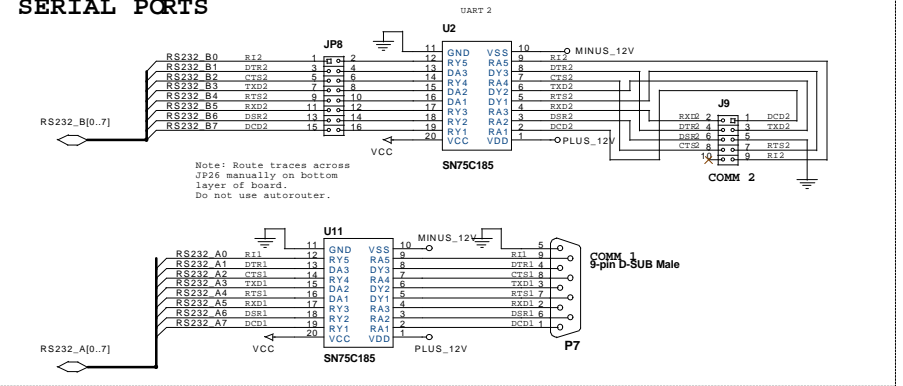
## DUAL GAME PORT



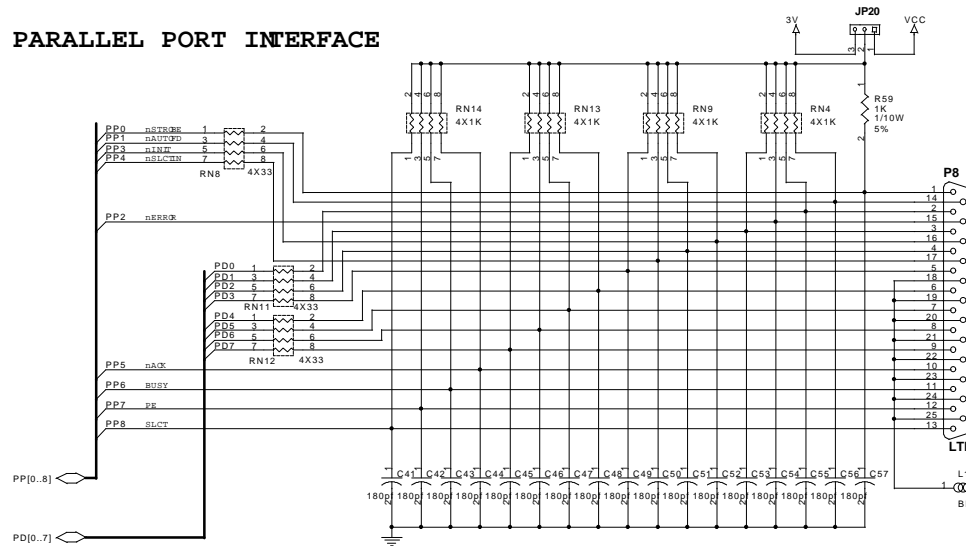
## FAST IR PORTS



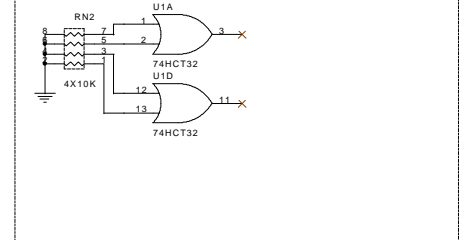
## SERIAL PORTS



## PARALLEL PORT INTERFACE



## UNUSED GATES



STANDARD MICROSYSTEMS CORPORATION  
800 KENNEDY DRIVE  
HAUPPAUGUS, 11788

File #	FDC37N869 EVB - PORTS	Rev	A
Size	Document Number	6092	
C			
Date		Sheet	4 of 4