



# Intel® 82801E Communications I/O Controller Hub (C-ICH)

*for Applied Computing*

---

## Advance Information Datasheet

### Product Features

- Supports Intel processors, the 82815E GMCH and the 82810E GMCH
- 8-Bit Hub Interface
  - 266 Mbyte/s maximum throughput
- Two integrated LAN controllers
- USB
  - Includes one UHCI Host Controller with a total of two ports
  - USB 1.1 compliant
- PCI Bus interface
  - Supports PCI Rev 2.2 specification at 33 MHz
  - 133 Mbyte/s maximum throughput
- Low-Pincount (LPC) interface
- Firmware Hub (FWH) interface
  - Supports 8-Mbyte memory size
- Integrated IDE controller supports Ultra100 DMA, Ultra66 and Ultra33 DMA mode transfers
- Interrupt Controller
  - Two cascaded 82C59 interrupt controllers
  - Integrated I/O (x) APIC supporting 24 interrupts
  - 15 interrupts supported in 8259 mode
- Two cascaded 8237 DMA controllers
- Integrated 82C54-compatible timers
- Real-time clock with 256-byte battery-backed CMOS RAM
- System Management Bus (SMBus)
  - Compatible with most two-wire components that are also I<sup>2</sup>C compatible
  - Slave interface allows external microcontroller to access system resources
- GPIO
  - Exact number varies by configuration. Maximum: 12 inputs, eight outputs, four I/O
- Integrated 16550 compatible UARTs
  - Two UARTs
  - Serial Interrupts
- Supports IRQ1/IRQ12 emulation to avoid external keyboard controller
- 1.8 V operation with 3.3 V I/O. 5 V tolerance on many buffers, including PCI and IDE
- Package: 421 BGA

---

**Notice:** This document contains information on products in the sampling and initial production phases of development. The specifications are subject to change without notice. Verify with your local Intel sales office that you have the latest datasheet before finalizing a design.

---



Information in this document is provided in connection with Intel® products. No license, express or implied, by estoppel or otherwise, to any intellectual property rights is granted by this document. Except as provided in Intel's Terms and Conditions of Sale for such products, Intel assumes no liability whatsoever, and Intel disclaims any express or implied warranty, relating to sale and/or use of Intel products including liability or warranties relating to fitness for a particular purpose, merchantability, or infringement of any patent, copyright or other intellectual property right. Intel products are not intended for use in medical, life saving, or life sustaining applications.

Intel may make changes to specifications and product descriptions at any time, without notice.

Designers must not rely on the absence or characteristics of any features or instructions marked "reserved" or "undefined." Intel reserves these for future definition and shall have no responsibility whatsoever for conflicts or incompatibilities arising from future changes to them.

The Intel® 82801E Communications I/O Controller Hub may contain design defects or errors known as errata which may cause the product to deviate from published specifications. Current characterized errata are available on request.

Contact your local Intel sales office or your distributor to obtain the latest specifications and before placing your product order.

Copies of documents which have an ordering number and are referenced in this document, or other Intel literature may be obtained by calling 1-800-548-4725 or by visiting Intel's website at <http://www.intel.com>.

Copyright © Intel Corporation, 2002

AlertVIEW, i960, AnyPoint, AppChoice, BoardWatch, BunnyPeople, CablePort, Celeron, Chips, Commerce Cart, CT Connect, CT Media, Dialogic, DM3, EtherExpress, ETOX, FlashFile, GatherRound, i386, i486, iCat, iCOMP, Insight960, InstantIP, Intel, Intel logo, Intel386, Intel486, Intel740, IntelDX2, IntelDX4, IntelSX2, Intel ChatPad, Intel Create&Share, Intel Dot.Station, Intel GigaBlade, Intel InBusiness, Intel Inside, Intel Inside logo, Intel NetBurst, Intel NetStructure, Intel Play, Intel Play logo, Intel Pocket Concert, Intel SingleDriver, Intel SpeedStep, Intel StrataFlash, Intel TeamStation, Intel WebOutfitter, Intel Xeon, Intel XScale, Itanium, JobAnalyst, LANDesk, LanRover, MCS, MMX, MMX logo, NetPort, NetportExpress, Optimizer logo, OverDrive, Paragon, PC Dads, PC Parents, Pentium, Pentium II Xeon, Pentium III Xeon, Performance at Your Command, ProShare, RemoteExpress, Screamline, Shiva, SmartDie, Solutions960, Sound Mark, StorageExpress, The Computer Inside, The Journey Inside, This Way In, TokenExpress, Trillium, Vivonic, and VTune are trademarks or registered trademarks of Intel Corporation or its subsidiaries in the United States and other countries.

\*Other names and brands may be claimed as the property of others.

# Contents

---

<b>1.0</b>	<b>Introduction</b> .....	7
1.1	Overview.....	9
1.2	About this Document .....	10
<b>2.0</b>	<b>Package Information</b> .....	11
2.1	Ball Location .....	11
2.2	Mechanical Specifications .....	23
<b>3.0</b>	<b>Signal Descriptions</b> .....	25
3.1	Alphabetical Signal Reference.....	25
3.2	Signals Grouped By Type.....	36
3.2.1	Hub Interface to Host Controller .....	36
3.2.2	Link to LAN Connect.....	36
3.2.3	EEPROM Interface .....	36
3.2.4	Firmware Hub Interface .....	37
3.2.5	PCI Interface.....	37
3.2.6	IDE Interface.....	40
3.2.7	LPC Interface .....	41
3.2.8	Interrupt Interface .....	41
3.2.9	USB Interface .....	42
3.2.10	Power Signals.....	42
3.2.11	Processor Interface.....	43
3.2.12	SMBus Interface .....	44
3.2.13	System Management Interface.....	44
3.2.14	Real Time Clock Interface .....	44
3.2.15	Other Clocks .....	45
3.2.16	Universal Asynchronous Receive and Transmit (UART 0,1).....	45
3.2.17	SIU LPC Interface.....	46
3.2.18	Miscellaneous Signals .....	47
3.2.19	General Purpose I/O.....	47
3.2.20	Power and Ground.....	48
3.3	Pin Straps .....	49
3.3.1	Functional Straps.....	49
3.3.2	Test Signals .....	49
3.3.2.1	Test Mode Selection .....	49
3.3.2.2	Test Straps.....	50
3.3.3	External RTC Circuitry .....	50
3.3.4	V5REF/Vcc3_3 Sequencing Requirements .....	51
3.4	Power Planes and Pin States .....	51
3.4.1	Power Planes.....	51
3.4.2	Integrated Pull-Ups and Pull-Downs.....	52
3.4.3	IDE Integrated Series Termination Resistors.....	52
3.4.4	Output and I/O Signals Planes and States .....	53
3.4.5	Power Planes for Input Signals.....	55
<b>4.0</b>	<b>Electrical Characteristics</b> .....	57
4.1	Absolute Maximum Ratings .....	57

4.2	Functional Operating Range.....	57
4.3	DC Characteristics.....	58
4.4	AC Characteristics.....	62
4.5	Timing Diagrams.....	70
<b>5.0</b>	<b>Testability.....</b>	<b>77</b>
5.1	Test Mode Description.....	77
5.2	Tri-state Mode.....	78
5.3	XOR Chain Mode.....	78
5.3.1	XOR Chain Testability Algorithm Example .....	84
5.3.1.1	Test Pattern Consideration for XOR Chain 4.....	84

## Figures

1	System Configuration .....	7
2	Intel® 82801E C-ICH Simplified Block Diagram .....	8
3	Ball Diagram (Top View).....	11
4	Intel® 82801E C-ICH Package (Top View) .....	23
5	Intel® 82801E C-ICH Package (Side View) .....	24
6	Intel® 82801E C-ICH Package (Bottom View).....	24
7	Required External RTC Circuit .....	50
8	Example V5REF Sequencing Circuit.....	51
9	Clock Timing.....	70
10	Valid Delay From Rising Clock Edge.....	70
11	Setup And Hold Times.....	71
12	Float Delay .....	71
13	Pulse Width .....	71
14	Output Enable Delay .....	71
15	IDE PIO Mode .....	72
16	IDE Multiword DMA .....	72
17	Ultra ATA Mode (Drive Initiating a Burst Read).....	73
18	Ultra ATA Mode (Sustained Burst) .....	73
19	Ultra ATA Mode (Pausing a DMA Burst) .....	74
20	Ultra ATA Mode (Terminating a DMA Burst) .....	74
21	USB Rise and Fall Times .....	74
22	USB Jitter .....	75
23	USB EOP Width .....	75
24	SMBus Transaction .....	75
25	SMBus Time-out.....	75
26	Power Sequencing and Reset Signal Timings .....	76
27	1.8 V/3.3 V Power Sequencing.....	76
28	C0 to C2 to C0 Timings .....	76
29	Test Mode Entry (XOR Chain Example).....	77
30	Example XOR Chain Circuitry .....	78

## Tables

1	PCI Devices and Functions .....	9
2	Related Documents .....	10
3	Industry Specifications.....	10
4	Ball List By Number .....	12
5	Ball List By Signal Name .....	17
6	82801E C-ICH Signal Description .....	25
7	Hub Interface Signals .....	36
8	LAN Interface.....	36
9	EEPROM Interface .....	36
10	Firmware Hub Interface Signals .....	37
11	PCI Interface Signals .....	37
12	IDE Interface Signals .....	40
13	LPC Interface Signals .....	41
14	Interrupt Signals.....	41
15	USB Interface Signals.....	42
16	Power Signals.....	42
17	Processor Interface Signals .....	43
18	SMBus Interface Signals .....	44
19	System Management Interface Signals .....	44
20	Real Time Clock Interface .....	44
21	Other Clocks .....	45
22	Universal Asynchronous Receive And Transmit (UART 0, 1) .....	45
23	SIU Interface .....	46
24	Miscellaneous Signals .....	47
25	General Purpose I/O Signals .....	47
26	Power and Ground Signals.....	48
27	Functional Strap Definitions .....	49
28	Test Mode Selection .....	49
29	82801E C-ICH Power Planes .....	51
30	Integrated Pull-Up and Pull-Down Resistors .....	52
31	IDE Series Termination Resistors.....	52
32	Power Plane and States for Output and I/O Signals.....	53
33	Power Plane for Input Signals .....	56
34	Absolute Maximum Ratings .....	57
35	Functional Operating Range.....	57
36	82801E C-ICH Power Consumption Measurements .....	58
37	DC Characteristic Input Signal Association .....	58
38	DC Input Characteristics.....	59
39	DC Characteristic Output Signal Association .....	59
40	DC Output Characteristics .....	60
41	Other DC Characteristics .....	61
42	Clock Timings .....	62
43	Clock Timings - UART_CLK .....	63
44	PCI Interface Timing .....	63
45	IDE PIO & Multiword DMA Mode Timing.....	64
46	Ultra ATA Timing (Mode 0, Mode 1, Mode 2).....	65
47	Ultra ATA Timing (Mode 3, Mode 4, Mode 5).....	66
48	Universal Serial Bus Timing.....	67
49	IOAPIC Bus Timing.....	68

50 SMBus Timing ..... 68

51 SIU LPC and Serial IRQ Timings ..... 68

52 UART Timings ..... 69

53 LPC Timing ..... 69

54 Miscellaneous Timings ..... 69

55 Power Sequencing and Reset Signal Timings ..... 70

56 Test Mode Selection ..... 77

57 XOR Chain #1 ..... 79

58 XOR Chain #2; Chain 2-1 and Chain 2-2 ..... 80

59 XOR Chain #3; Chain 3-1 and Chain 3-2 ..... 81

60 XOR Chain #4; Chain 4-1 and Chain 4-2 ..... 82

61 Signals Not in XOR Chain ..... 83

62 XOR Test Pattern Example ..... 84

## Revision History

Date	Revision	Description
January 2001	003	Corrected XOR Chain 2. Added note to CPUSLP# signal description.
December 2001	002	Corrected pinouts and pin list.
December 2001	001	First release of this datasheet.

# 1.0 Introduction

The Intel® 82801E Communications I/O Controller Hub (82801E C-ICH) is a highly integrated multifunctional communications I/O controller hub that provides the interface to the PCI bus and integrates many of the functions needed in today's communications applications. This document provides a detailed description of the 82801E C-ICH thermal, electrical and mechanical specifications, including signals, pinout, packaging, electrical characteristics, and testability.

Figure 1 illustrates the typical system configuration using the 82801E C-ICH. Figure 2 is a simplified block diagram of the functional units of the 82801E C-ICH.

**Figure 1. System Configuration**

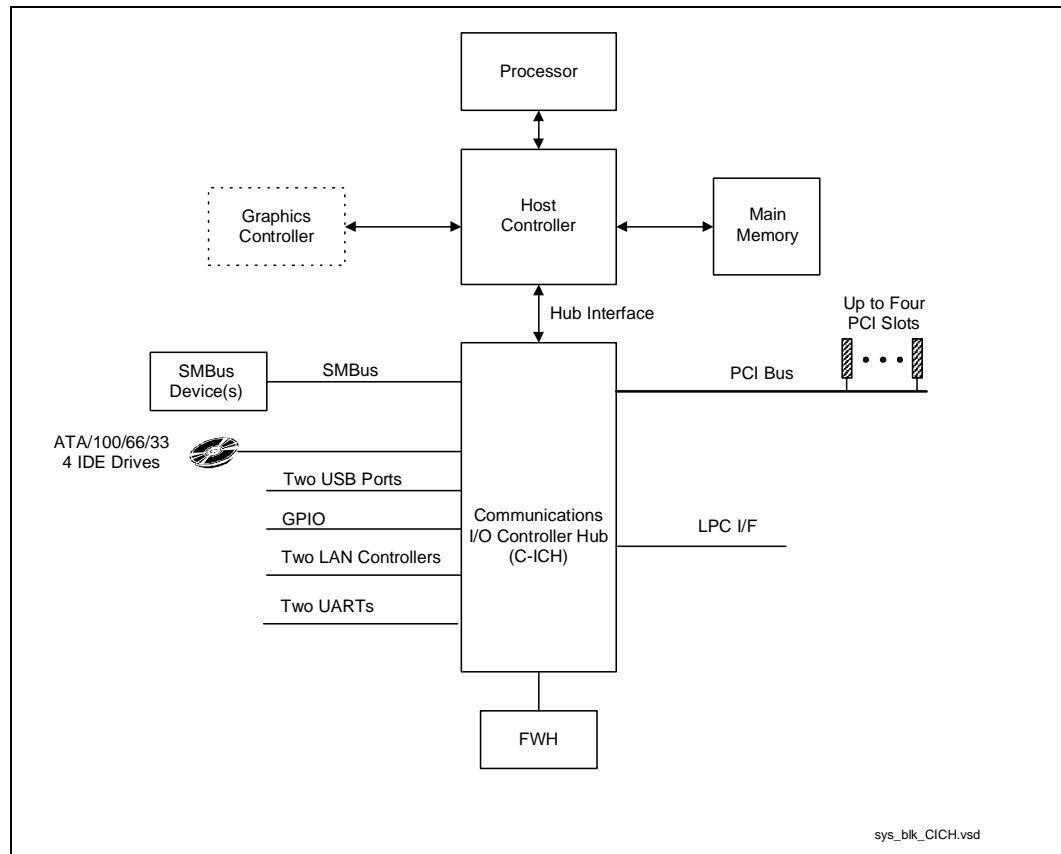
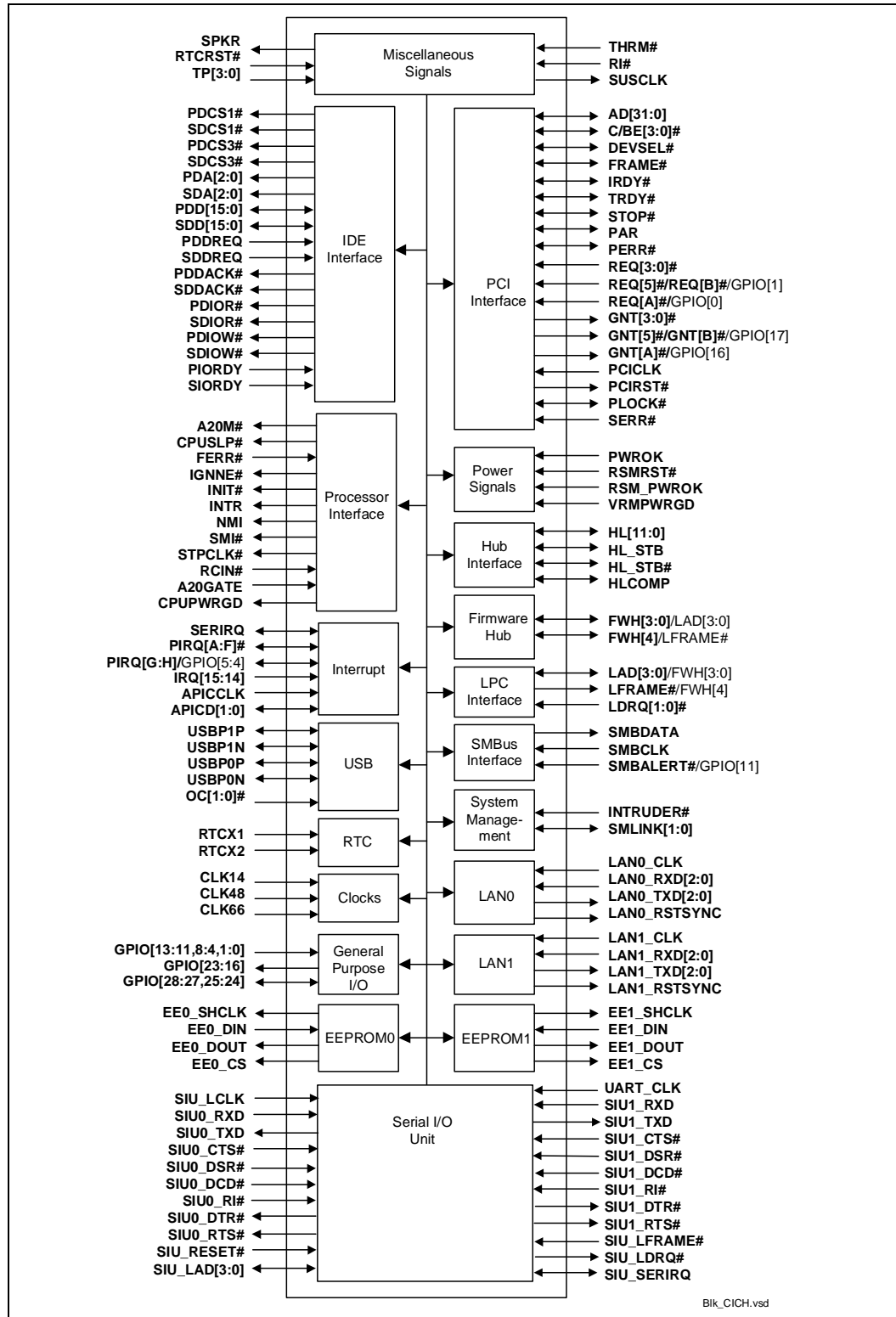


Figure 2. Intel® 82801E C-ICH Simplified Block Diagram





## 1.1 Overview

The 82801E C-ICH provides extensive I/O support. Functions and capabilities include:

- PCI Rev 2.2 compliant with support for 33 MHz PCI operations
- PCI slots support up to four Req/Gnt pairs
- Enhanced DMA Controller, Interrupt Controller, and Timer Functions
- Integrated IDE controller supports Ultra ATA100/66/33
- USB host interface with support for two USB ports; one host controller
- Two integrated LAN controllers
- System Management Bus (SMBus) with additional support for I<sup>2</sup>C devices
- Low Pin Count (LPC) interface
- Firmware Hub (FWH) interface support
- Serial I/O unit containing two UARTs

The 82801E C-ICH incorporates a variety of PCI functions that are divided into two logical devices (30 and 31) on PCI Bus 0 and one device on Bus 1. Device 30 is the Hub Interface-to-PCI bridge. Device 31 contains all the other PCI functions, except the LAN controller as shown in Table 1. The LAN controllers are located on Bus 1.

**Table 1. PCI Devices and Functions**

Bus:Device:Function	Function Description
Bus 0:Device 30:Function 0	Hub Interface to PCI Bridge
Bus 0:Device 31:Function 0	PCI to LPC Bridge (includes: DMA, Timers, compatible interrupt controller, APIC, RTC, SIU, processor interface control, power management control, system management control, and GPIO control)
Bus 0:Device 31:Function 1	IDE Controller
Bus 0:Device 31:Function 2	USB Controller
Bus 0:Device 31:Function 3	SMBus Controller
Bus 1:Device 8:Function 0	LAN0 Controller
Bus 1:Device 9:Function 0	LAN1 Controller

## 1.2 About this Document

This document is intended for original equipment manufacturers (OEMs) and BIOS vendors creating 82801E C-ICH-based products. This document contains electrical thermal and mechanical specifications for the 82801E C-ICH, including complete signal descriptions, pin maps, and testability information. For additional information, refer to the documents listed in Table 2.

**Table 2. Related Documents**

Document	Order Number
<i>Intel® 82801E Communications I/O Controller Hub (C-ICH) Developer's Manual</i>	273599
<i>Intel® 82801E Communications I/O Controller Hub (C-ICH) Specification Update</i>	273645
<i>Intel® 82801E Communications I/O Controller Hub (C-ICH) Platform Design Guide</i>	273671
<i>Intel® 810E Chipset: 82810E Graphics and Memory Controller Hub (GMCH) Datasheet</i>	290676
<i>82802AB/82802AC Firmware Hub (FWH) Datasheet</i>	290658

This document assumes a working knowledge of the vocabulary and principles of USB, IDE, SMBus, PCI, LAN, LPC, and serial I/O. Details of these features are described in the *Intel® 82801E Communications I/O Controller Hub (C-ICH) Developer's Manual* (order number 273599) and in the industry specifications listed in Table 3.

**Table 3. Industry Specifications**

Specification	Location
LPC	<a href="http://developer.intel.com/design/chipsets/industry/lpc.htm">http://developer.intel.com/design/chipsets/industry/lpc.htm</a>
WfM	<a href="http://developer.intel.com/ial/WfM/usesite.htm">http://developer.intel.com/ial/WfM/usesite.htm</a>
SMBus	<a href="http://www.sbs-forum.org/specs/">http://www.sbs-forum.org/specs/</a>
PCI	<a href="http://pcisig.com/">http://pcisig.com/</a>
USB	<a href="http://www.usb.org">http://www.usb.org</a>

## 2.0 Package Information

### 2.1 Ball Location

This section describes the 82801E C-ICH ball assignment. Figure 3 provides a 421-ball location diagram. The diagram also indicates general signal groupings. Table 4 lists the 82801E C-ICH signal assignments by ball number. Table 5 lists the assignments alphabetically by signal name.

Figure 3. Ball Diagram (Top View)

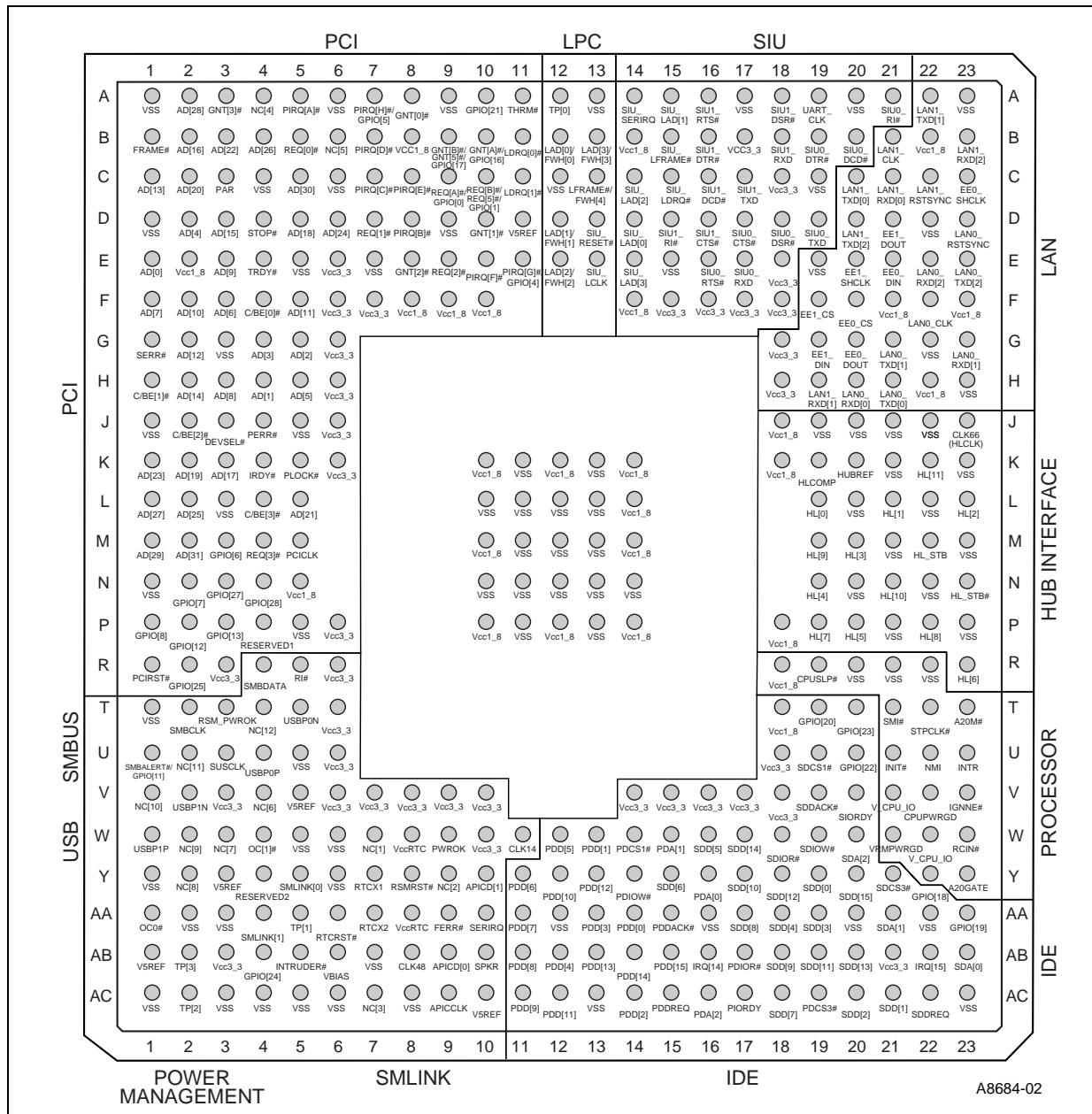


Table 4. Ball List By Number

Ball Number	Signal Name
A1	VSS
A2	AD[28]
A3	GNT[3]#
A4	NC[4]
A5	PIRQ[A]#
A6	VSS
A7	PIRQ[H]#/GPIO[5]
A8	GNT[0]#
A9	VSS
A10	GPIO[21]
A11	THRM#
A12	TP[0]
A13	VSS
A14	SIU_SERIRQ
A15	SIU_LAD[1]
A16	SIU1_RTS#
A17	VSS
A18	SIU1_DSR#
A19	UART_CLK
A20	VSS
A21	SIU0_RI#
A22	LAN1_TXD[1]
A23	VSS
B1	FRAME#
B2	AD[16]
B3	AD[22]
B4	AD[26]
B5	REQ[0]#
B6	NC[5]
B7	PIRQ[D]#
B8	Vcc1_8
B9	GNT[B]#/GNT[5]#/GPIO[17]
B10	GNT[A]#/GPIO[16]
B11	LDRQ[0]#
B12	LAD[0]/FWH[0]
B13	LAD[3]/FWH[3]
B14	Vcc1_8
B15	SIU_LFRAME#
B16	SIU1_DTR#
B17	Vcc3_3
B18	SIU1_RXD
B19	SIU0_DTR#
B20	SIU0_DCD#

Table 4. Ball List By Number

Ball Number	Signal Name
B21	LAN1_CLK
B22	Vcc1_8
B23	LAN1_RXD[2]
C1	AD[13]
C2	AD[20]
C3	PAR
C4	VSS
C5	AD[30]
C6	VSS
C7	PIRQ[C]#
C8	PIRQ[E]#
C9	REQ[A]#/GPIO[0]
C10	REQ[B]#/REQ[5]#/GPIO[1]
C11	LDRQ[1]#
C12	VSS
C13	LFRAME#/FWH[4]
C14	SIU_LAD[2]
C15	SIU_LDRQ#
C16	SIU1_DCD#
C17	SIU1_TXD
C18	Vcc3_3
C19	VSS
C20	LAN1_TXD[0]
C21	LAN1_RXD[0]
C22	LAN1_RSTSYNC
C23	EE0_SHCLK
D1	VSS
D2	AD[4]
D3	AD[15]
D4	STOP#
D5	AD[18]
D6	AD[24]
D7	REQ[1]#
D8	PIRQ[B]#
D9	VSS
D10	GNT[1]#
D11	V5REF
D12	LAD[1]/FWH[1]
D13	SIU_RESET#
D14	SIU_LAD[0]
D15	SIU1_RI#
D16	SIU1_CTS#
D17	SIU0_CTS#
D18	SIU0_DSR#

**Table 4. Ball List By Number**

Ball Number	Signal Name
D19	SIU0_TXD
D20	LAN1_TXD[2]
D21	EE1_DOUT
D22	VSS
D23	LAN0_RSTSYNC
E1	AD[0]
E2	Vcc1_8
E3	AD[9]
E4	TRDY#
E5	VSS
E6	Vcc3_3
E7	VSS
E8	GNT[2]#
E9	REQ[2]#
E10	PIRQ[F]#
E11	PIRQ[G]#/GPIO[4]
E12	LAD[2]/FWH[2]
E13	SIU_LCLK
E14	SIU_LAD[3]
E15	VSS
E16	SIU0_RTS#
E17	SIU0_RXD
E18	Vcc3_3
E19	VSS
E20	EE1_SHCLK
E21	EE0_DIN
E22	LAN0_RXD[2]
E23	LAN0_TXD[2]
F1	AD[7]
F2	AD[10]
F3	AD[6]
F4	C/BE[0]#
F5	AD[11]
F6	Vcc3_3
F7	Vcc3_3
F8	Vcc1_8
F9	Vcc1_8
F10	Vcc1_8
F14	Vcc1_8
F15	Vcc3_3
F16	Vcc3_3
F17	Vcc3_3
F18	Vcc3_3
F19	EE1_CS

**Table 4. Ball List By Number**

Ball Number	Signal Name
F20	EE0_CS
F21	Vcc1_8
F22	LAN0_CLK
F23	Vcc1_8
G1	SERR#
G2	AD[12]
G3	VSS
G4	AD[3]
G5	AD[2]
G6	Vcc3_3
G18	Vcc3_3
G19	EE1_DIN
G20	EE0_DOUT
G21	LAN0_TXD[1]
G22	VSS
G23	LAN0_RXD[1]
H1	C/BE[1]#
H2	AD[14]
H3	AD[8]
H4	AD[1]
H5	AD[5]
H6	Vcc3_3
H18	Vcc3_3
H19	LAN1_RXD[1]
H20	LAN0_RXD[0]
H21	LAN0_TXD[0]
H22	Vcc1_8
H23	VSS
J1	VSS
J2	C/BE[2]#
J3	DEVSEL#
J4	PERR#
J5	VSS
J6	Vcc3_3
J18	Vcc1_8
J19	VSS
J20	VSS
J21	VSS
J22	VSS
J23	CLK66 (HLCLK)
K1	AD[23]
K2	AD[19]
K3	AD[17]
K4	IRDY#

Table 4. Ball List By Number

Ball Number	Signal Name
K5	PLOCK#
K6	Vcc3_3
K10	Vcc1_8
K11	VSS
K12	Vcc1_8
K13	VSS
K14	Vcc1_8
K18	Vcc1_8
K19	HLCOMP
K20	HUBREF
K21	VSS
K22	HL[11]
K23	VSS
L1	AD[27]
L2	AD[25]
L3	VSS
L4	C/BE[3]#
L5	AD[21]
L10	VSS
L11	VSS
L12	VSS
L13	VSS
L14	Vcc1_8
L19	HL[0]
L20	VSS
L21	HL[1]
L22	VSS
L23	HL[2]
M1	AD[29]
M2	AD[31]
M3	GPIO[6]
M4	REQ[3]#
M5	PCICLK
M10	Vcc1_8
M11	VSS
M12	VSS
M13	VSS
M14	Vcc1_8
M19	HL[9]
M20	HL[3]
M21	VSS
M22	HL_STB
M23	VSS
N1	VSS

Table 4. Ball List By Number

Ball Number	Signal Name
N2	GPIO[7]
N3	GPIO[27]
N4	GPIO[28]
N5	Vcc1_8
N10	VSS
N11	VSS
N12	VSS
N13	VSS
N14	VSS
N19	HL[4]
N20	VSS
N21	HL[10]
N22	VSS
N23	HL_STB#
P1	GPIO[8]
P2	GPIO[12]
P3	GPIO[13]
P4	RESERVED1
P5	VSS
P6	Vcc3_3
P10	Vcc1_8
P11	VSS
P12	Vcc1_8
P13	VSS
P14	Vcc1_8
P18	Vcc1_8
P19	HL[7]
P20	HL[5]
P21	VSS
P22	HL[8]
P23	VSS
R1	PCIRST#
R2	GPIO[25]
R3	Vcc3_3
R4	SMBDATA
R5	RI#
R6	Vcc3_3
R18	Vcc1_8
R19	CPUSLP#
R20	VSS
R21	VSS
R22	VSS
R23	HL[6]
T1	VSS

**Table 4. Ball List By Number**

Ball Number	Signal Name
T2	SMBCLK
T3	RSM_PWROK
T4	NC[12]
T5	USBP0N
T6	Vcc3_3
T18	Vcc1_8
T19	GPIO[20]
T20	GPIO[23]
T21	SMI#
T22	STPCLK#
T23	A20M#
U1	SMBALERT#/GPIO[11]
U2	NC[11]
U3	SUSCLK
U4	USBP0P
U5	VSS
U6	Vcc3_3
U18	Vcc3_3
U19	SDCS1#
U20	GPIO[22]
U21	INIT#
U22	NMI
U23	INTR
V1	NC[10]
V2	USBP1N
V3	Vcc3_3
V4	NC[6]
V5	V5REF
V6	Vcc3_3
V7	Vcc3_3
V8	Vcc3_3
V9	Vcc3_3
V10	Vcc3_3
V14	Vcc3_3
V15	Vcc3_3
V16	Vcc3_3
V17	Vcc3_3
V18	Vcc3_3
V19	SDDACK#
V20	SIORDY (/SDRSTB/ SWDMARDY#)
V21	V_CPU_IO
V22	CPUPWRGD
V23	IGNNE#

**Table 4. Ball List By Number**

Ball Number	Signal Name
W1	USBP1P
W2	NC[9]
W3	NC[7]
W4	OC[1]#
W5	VSS
W6	VSS
W7	NC[1]
W8	VccRTC
W9	PWROK
W10	Vcc3_3
W11	CLK14
W12	PDD[5]
W13	PDD[1]
W14	PDCS1#
W15	PDA[1]
W16	SDD[5]
W17	SDD[14]
W18	SDIOR# (/SDWSTB/ SRDMARDY#)
W19	SDIOW# (/SDSTOP)
W20	SDA[2]
W21	VRMPWRGD
W22	V_CPU_IO
W23	RCIN#
Y1	VSS
Y2	NC[8]
Y3	V5REF
Y4	RESERVED2
Y5	SMLINK[0]
Y6	VSS
Y7	RTCX1
Y8	RSMRST#
Y9	NC[2]
Y10	APICD[1]
Y11	PDD[6]
Y12	PDD[10]
Y13	PDD[12]
Y14	PDIOW# (/PDSTOP)
Y15	SDD[6]
Y16	PDA[0]
Y17	SDD[10]
Y18	SDD[12]
Y19	SDD[0]
Y20	SDD[15]

Table 4. Ball List By Number

Ball Number	Signal Name
Y21	SDCS3#
Y22	GPIO[18]
Y23	A20GATE
AA1	OC[0]#
AA2	VSS
AA3	VSS
AA4	SMLINK[1]
AA5	TP[1]
AA6	RTCST#
AA7	RTCX2
AA8	VccRTC
AA9	FERR#
AA10	SERIRQ
AA11	PDD[7]
AA12	VSS
AA13	PDD[3]
AA14	PDD[0]
AA15	PDDACK#
AA16	VSS
AA17	SDD[8]
AA18	SDD[4]
AA19	SDD[3]
AA20	VSS
AA21	SDA[1]
AA22	VSS
AA23	GPIO[19]
AB1	V5REF
AB2	TP[3]
AB3	Vcc3_3
AB4	GPIO[24]
AB5	INTRUDER#
AB6	VBIAS
AB7	VSS
AB8	CLK48
AB9	APICD[0]
AB10	SPKR
AB11	PDD[8]

Table 4. Ball List By Number

Ball Number	Signal Name
AB12	PDD[4]
AB13	PDD[13]
AB14	PDD[14]
AB15	PDD[15]
AB16	IRQ[14]
AB17	PDIOR# (/PDWSTB/ PRDMARDY#)
AB18	SDD[9]
AB19	SDD[11]
AB20	SDD[13]
AB21	Vcc3_3
AB22	IRQ[15]
AB23	SDA[0]
AC1	VSS
AC2	TP[2]
AC3	VSS
AC4	VSS
AC5	VSS
AC6	VSS
AC7	NC[3]
AC8	VSS
AC9	APICCLK
AC10	V5REF
AC11	PDD[9]
AC12	PDD[11]
AC13	VSS
AC14	PDD[2]
AC15	PDDREQ
AC16	PDA[2]
AC17	PIORDY (/PDRSTB/ PDMARDY#)
AC18	SDD[7]
AC19	PDACS3#
AC20	SDD[2]
AC21	SDD[1]
AC22	SDDREQ
AC23	VSS



**Table 5. Ball List By Signal Name**

Signal Name	Ball Number
A20GATE	Y23
A20M#	T23
AD[0]	E1
AD[1]	H4
AD[2]	G5
AD[3]	G4
AD[4]	D2
AD[5]	H5
AD[6]	F3
AD[7]	F1
AD[8]	H3
AD[9]	E3
AD[10]	F2
AD[11]	F5
AD[12]	G2
AD[13]	C1
AD[14]	H2
AD[15]	D3
AD[16]	B2
AD[17]	K3
AD[18]	D5
AD[19]	K2
AD[20]	C2
AD[21]	L5
AD[22]	B3
AD[23]	K1
AD[24]	D6
AD[25]	L2
AD[26]	B4
AD[27]	L1
AD[28]	A2
AD[29]	M1
AD[30]	C5
AD[31]	M2
APICCLK	AC9
APICD[0]	AB9
APICD[1]	Y10

**Table 5. Ball List By Signal Name**

Signal Name	Ball Number
C/BE[0]#	F4
C/BE[1]#	H1
C/BE[2]#	J2
C/BE[3]#	L4
CLK14	W11
CLK48	AB8
CLK66 (HLCLK)	J23
CPUPWRGD	V22
CPUSLP#	R19
DEVSEL#	J3
EE0_CS	F20
EE0_DIN	E21
EE0_DOUT	G20
EE0_SHCLK	C23
EE1_CS	F19
EE1_DIN	G19
EE1_DOUT	D21
EE1_SHCLK	E20
FERR#	AA9
FRAME#	B1
GNT[0]#	A8
GNT[1]#	D10
GNT[2]#	E8
GNT[3]#	A3
GNT[A]#/GPIO[16]	B10
GNT[B]#/GNT[5]#/GPIO[17]	B9
GPIO[6]	M3
GPIO[7]	N2
GPIO[8]	P1
GPIO[12]	P2
GPIO[13]	P3
GPIO[18]	Y22
GPIO[19]	AA23
GPIO[20]	T19
GPIO[21]	A10
GPIO[22]	U20
GPIO[23]	T20
GPIO[24]	AB4

Table 5. Ball List By Signal Name

Signal Name	Ball Number
GPIO[25]	R2
GPIO[27]	N3
GPIO[28]	N4
HL[0]	L19
HL[1]	L21
HL[2]	L23
HL[3]	M20
HL[4]	N19
HL[5]	P20
HL[6]	R23
HL[7]	P19
HL[8]	P22
HL[9]	M19
HL[10]	N21
HL[11]	K22
HL_STB	M22
HL_STB#	N23
HLCOMP	K19
HUBREF	K20
IGNNE#	V23
INIT#	U21
INTR	U23
INTRUDER#	AB5
IRDY#	K4
IRQ[14]	AB16
IRQ[15]	AB22
LAD[0]/FWH[0]	B12
LAD[1]/FWH[1]	D12
LAD[2]/FWH[2]	E12
LAD[3]/FWH[3]	B13
LAN0_CLK	F22
LAN0_RSTSYNC	D23
LAN0_RXD[0]	H20
LAN0_RXD[1]	G23
LAN0_RXD[2]	E22
LAN0_TXD[0]	H21
LAN0_TXD[1]	G21
LAN0_TXD[2]	E23

Table 5. Ball List By Signal Name

Signal Name	Ball Number
LAN1_CLK	B21
LAN1_RSTSYNC	C22
LAN1_RXD[0]	C21
LAN1_RXD[1]	H19
LAN1_RXD[2]	B23
LAN1_TXD[0]	C20
LAN1_TXD[1]	A22
LAN1_TXD[2]	D20
LDRQ[0]#	B11
LDRQ[1]#	C11
LFRAME#/FWH[4]	C13
NC[1]	W7
NC[2]	Y9
NC[3]	AC7
NC[4]	A4
NC[5]	B6
NC[6]	V4
NC[7]	W3
NC[8]	Y2
NC[9]	W2
NC[10]	V1
NC[11]	U2
NC[12]	T4
NMI	U22
OC[0]#	AA1
OC[1]#	W4
PAR	C3
PCICLK	M5
PCIRST#	R1
PDA[0]	Y16
PDA[1]	W15
PDA[2]	AC16
PDCS1#	W14
PDCS3#	AC19
PDD[0]	AA14
PDD[1]	W13
PDD[2]	AC14
PDD[3]	AA13

**Table 5. Ball List By Signal Name**

Signal Name	Ball Number
PDD[4]	AB12
PDD[5]	W12
PDD[6]	Y11
PDD[7]	AA11
PDD[8]	AB11
PDD[9]	AC11
PDD[10]	Y12
PDD[11]	AC12
PDD[12]	Y13
PDD[13]	AB13
PDD[14]	AB14
PDD[15]	AB15
PDDACK#	AA15
PDDREQ	AC15
PDIOR# (/PDWSTB/ PRDMARDY#)	AB17
PDIOV# (/PDSTOP)	Y14
PERR#	J4
PIORDY (/PDRSTB/ PWARDY#)	AC17
PIRQ[A]#	A5
PIRQ[B]#	D8
PIRQ[C]#	C7
PIRQ[D]#	B7
PIRQ[E]#	C8
PIRQ[F]#	E10
PIRQ[G]#/GPIO[4]	E11
PIRQ[H]#/GPIO[5]	A7
PLOCK#	K5
PWROK	W9
RCIN#	W23
REQ[0]#	B5
REQ[1]#	D7
REQ[2]#	E9
REQ[3]#	M4
REQ[A]#/GPIO[0]	C9
REQ[B]#/REQ[5]#/GPIO[1]	C10
RESERVED1	P4

**Table 5. Ball List By Signal Name**

Signal Name	Ball Number
RESERVED2	Y4
RI#	R5
RSM_PWROK	T3
RSMRST#	Y8
RTCRST#	AA6
RTCX1	Y7
RTCX2	AA7
SDA[0]	AB23
SDA[1]	AA21
SDA[2]	W20
SDCS1#	U19
SDCS3#	Y21
SDD[0]	Y19
SDD[1]	AC21
SDD[2]	AC20
SDD[3]	AA19
SDD[4]	AA18
SDD[5]	W16
SDD[6]	Y15
SDD[7]	AC18
SDD[8]	AA17
SDD[9]	AB18
SDD[10]	Y17
SDD[11]	AB19
SDD[12]	Y18
SDD[13]	AB20
SDD[14]	W17
SDD[15]	Y20
SDDACK#	V19
SDDREQ	AC22
SDIOR# (/SDWSTB/ SRDMARDY#)	W18
SDIOV# (/SDSTOP)	W19
SERIRQ	AA10
SERR#	G1
SIORDY (/SDRSTB/ SWDMARDY#)	V20
SIU_LAD[0]	D14

Table 5. Ball List By Signal Name

Signal Name	Ball Number
SIU_LAD[1]	A15
SIU_LAD[2]	C14
SIU_LAD[3]	E14
SIU_LCLK	E13
SIU_LDRQ#	C15
SIU_LFRAME#	B15
SIU_RESET#	D13
SIU_SERIRQ	A14
SIU0_CTS#	D17
SIU0_DCD#	B20
SIU0_DSR#	D18
SIU0_DTR#	B19
SIU0_RI#	A21
SIU0_RTS#	E16
SIU0_RXD	E17
SIU0_TXD	D19
SIU1_CTS#	D16
SIU1_DCD#	C16
SIU1_DSR#	A18
SIU1_DTR#	B16
SIU1_RI#	D15
SIU1_RTS#	A16
SIU1_RXD	B18
SIU1_TXD	C17
SMBALERT#/GPIO[11]	U1
SMBCLK	T2
SMBDATA	R4
SMI#	T21
SMLINK[0]	Y5
SMLINK[1]	AA4
SPKR	AB10
STOP#	D4
STPCLK#	T22
SUSCLK	U3
THRM#	A11
TP[0]	A12
TP[1]	AA5
TP[2]	AC2

Table 5. Ball List By Signal Name

Signal Name	Ball Number
TP[3]	AB2
TRDY#	E4
UART_CLK	A19
USBP0N	T5
USBP0P	U4
USBP1N	V2
USBP1P	W1
V_CPU_IO	V21
V_CPU_IO	W22
V5REF	AB1
V5REF	AC10
V5REF	D11
V5REF	V5
V5REF	Y3
VBIAS	AB6
Vcc1_8	B8
Vcc1_8	B14
Vcc1_8	B22
Vcc1_8	E2
Vcc1_8	F8
Vcc1_8	F9
Vcc1_8	F10
Vcc1_8	F14
Vcc1_8	F21
Vcc1_8	F23
Vcc1_8	H22
Vcc1_8	J18
Vcc1_8	K10
Vcc1_8	K12
Vcc1_8	K14
Vcc1_8	K18
Vcc1_8	L14
Vcc1_8	M10
Vcc1_8	M14
Vcc1_8	N5
Vcc1_8	P10
Vcc1_8	P12
Vcc1_8	P14

**Table 5. Ball List By Signal Name**

Signal Name	Ball Number
Vcc1_8	P18
Vcc1_8	R18
Vcc1_8	T18
Vcc3_3	AB3
Vcc3_3	AB21
Vcc3_3	B17
Vcc3_3	C18
Vcc3_3	E6
Vcc3_3	E18
Vcc3_3	F6
Vcc3_3	F7
Vcc3_3	F15
Vcc3_3	F16
Vcc3_3	F17
Vcc3_3	F18
Vcc3_3	G6
Vcc3_3	G18
Vcc3_3	H6
Vcc3_3	H18
Vcc3_3	J6
Vcc3_3	K6
Vcc3_3	P6
Vcc3_3	R3
Vcc3_3	R6
Vcc3_3	T6
Vcc3_3	U6
Vcc3_3	U18
Vcc3_3	V3
Vcc3_3	V6
Vcc3_3	V7
Vcc3_3	V8
Vcc3_3	V9
Vcc3_3	V10
Vcc3_3	V14
Vcc3_3	V15
Vcc3_3	V16
Vcc3_3	V17
Vcc3_3	V18

**Table 5. Ball List By Signal Name**

Signal Name	Ball Number
Vcc3_3	W10
VccRTC	W8
VccRTC	AA8
VRMPWRGD	W21
VSS	A1
VSS	A6
VSS	A9
VSS	A13
VSS	A17
VSS	A20
VSS	A23
VSS	C4
VSS	C6
VSS	C12
VSS	C19
VSS	D1
VSS	D9
VSS	D22
VSS	E5
VSS	E7
VSS	E15
VSS	E19
VSS	G3
VSS	G22
VSS	H23
VSS	J1
VSS	J5
VSS	J19
VSS	J20
VSS	J21
VSS	J22
VSS	K11
VSS	K13
VSS	K21
VSS	K23
VSS	L3
VSS	L10
VSS	L11

**Table 5. Ball List By Signal Name**

Signal Name	Ball Number
VSS	L12
VSS	L13
VSS	L20
VSS	L22
VSS	M11
VSS	M12
VSS	M13
VSS	M21
VSS	M23
VSS	N1
VSS	N10
VSS	N11
VSS	N12
VSS	N13
VSS	N14
VSS	N20
VSS	N22
VSS	P5
VSS	P11
VSS	P13
VSS	P21
VSS	P23
VSS	R20

**Table 5. Ball List By Signal Name**

Signal Name	Ball Number
VSS	R21
VSS	R22
VSS	T1
VSS	U5
VSS	W5
VSS	W6
VSS	Y1
VSS	Y6
VSS	AA2
VSS	AA3
VSS	AA12
VSS	AA16
VSS	AA20
VSS	AA22
VSS	AB7
VSS	AC1
VSS	AC3
VSS	AC4
VSS	AC5
VSS	AC6
VSS	AC8
VSS	AC13
VSS	AC23

## 2.2 Mechanical Specifications

Figure 4. Intel® 82801E C-ICH Package (Top View)

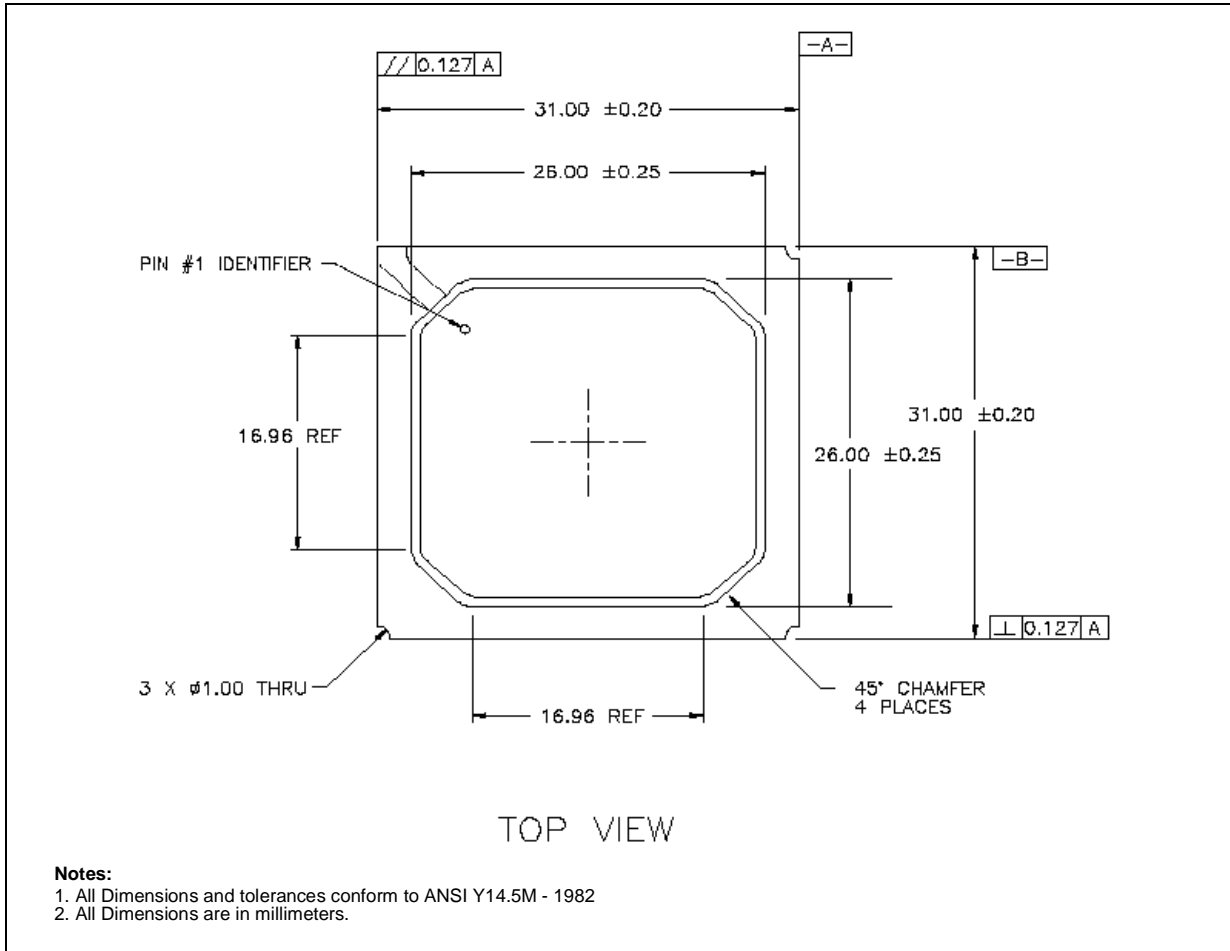


Figure 5. Intel® 82801E C-ICH Package (Side View)

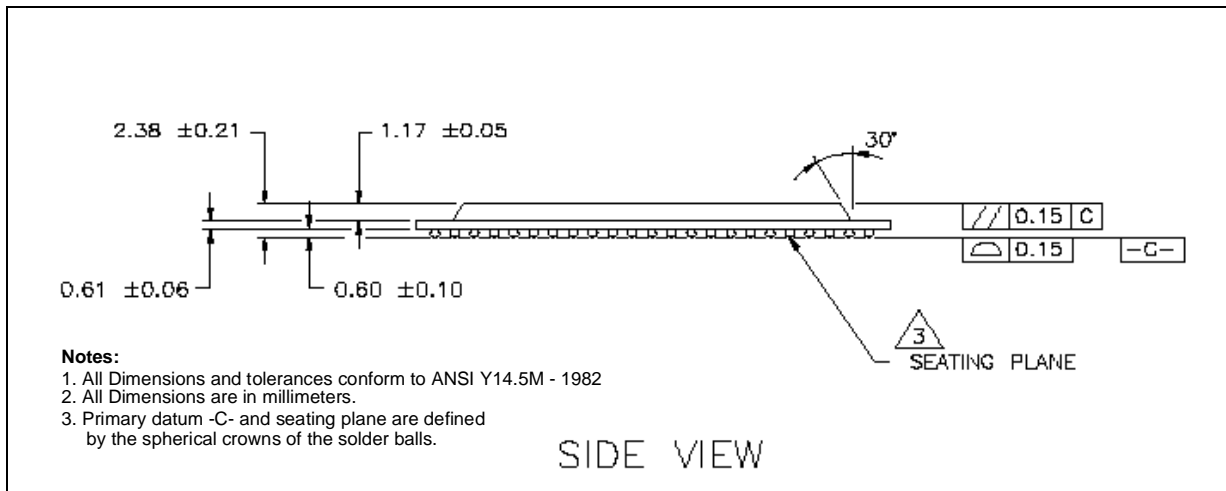
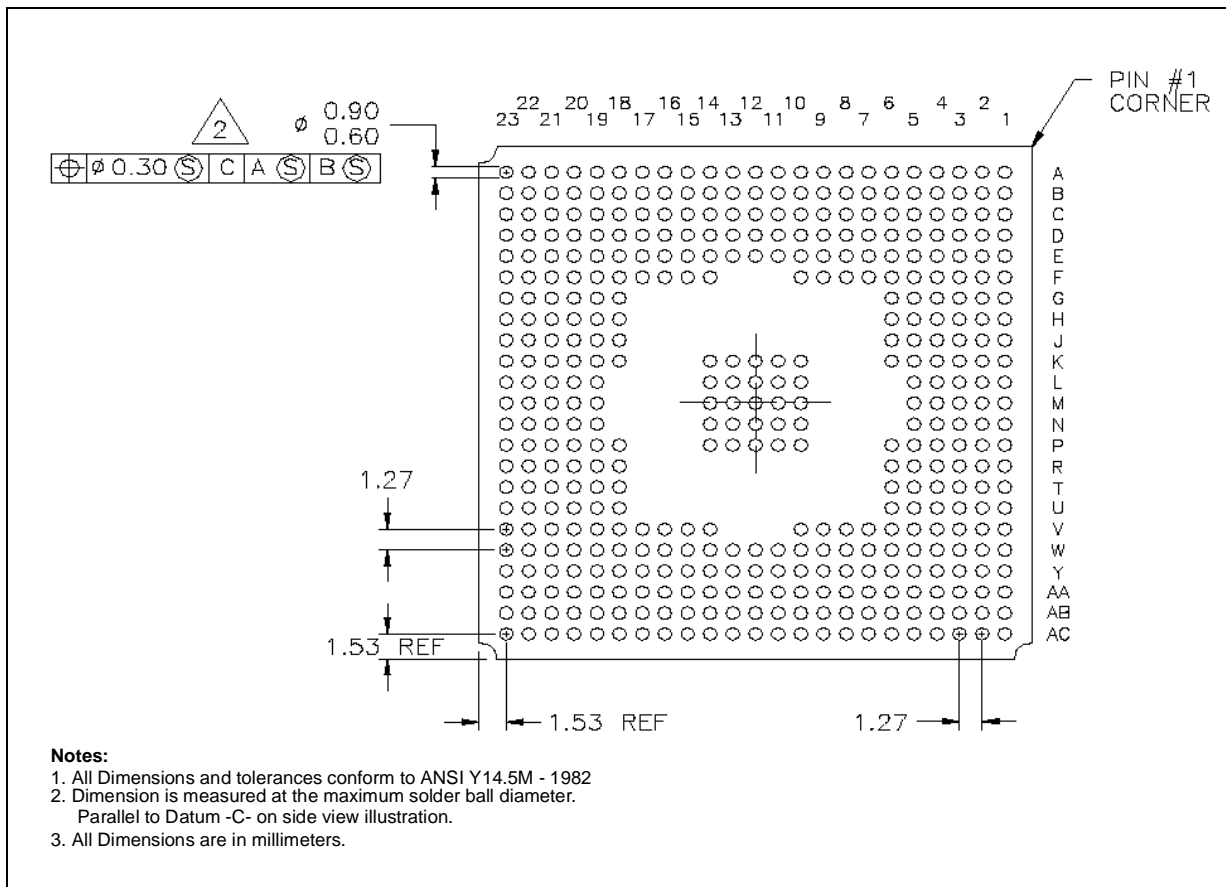


Figure 6. Intel® 82801E C-ICH Package (Bottom View)





## 3.0 Signal Descriptions

This section provides a detailed description of each signal. The signals are arranged in functional groups according to their associated interface.

The “#” symbol at the end of the signal name indicates that the active, or asserted state occurs when the signal is at a low voltage level. When “#” is not present, the signal is asserted when at the high voltage level.

The following notations are used to describe the signal type:

<b>I</b>	Input pin
<b>O</b>	Output pin
<b>OD</b>	Open drain output pin.
<b>I/O</b>	Bidirectional input/output pin.

### 3.1 Alphabetical Signal Reference

Table 6. 82801E C-ICH Signal Description (Sheet 1 of 11)

Signal	Type	Description
<b>A20GATE</b>	I	<b>A20 Gate:</b> This signal is from the keyboard controller. It acts as an alternative method to force the A20M# signal active. A20GATE eliminates the need for the external OR gate needed with various other PCIsets.
<b>A20M#</b>	O	<b>Mask A20:</b> A20M# goes active based on setting the appropriate bit in the Port 92h register, or based on the A20GATE signal. <b>Speed Strap:</b> During the reset sequence, 82801E C-ICH drives A20M# high if the corresponding bit is set in the FREQ_STRP register.
<b>AD[31:0]</b>	I/O	<b>PCI Address/Data:</b> AD[31:0] is a multiplexed address and data bus. During the first clock of a transaction, AD[31:0] contain a physical address (32 bits). During subsequent clocks, AD[31:0] contain data. The 82801E C-ICH drives all 0s on AD[31:0] during the address phase of all PCI Special Cycles.
<b>APICCLK</b>	I	<b>APIC Clock:</b> The APIC clock runs at 33.333 MHz.
<b>APICD[1:0]</b>	I/OD	<b>APIC Data:</b> These bidirectional open drain signals are used to send and receive data over the APIC bus. As inputs, the data is valid on the rising edge of APICCLK. As outputs, new data is driven from the rising edge of the APICCLK.

Table 6. 82801E C-ICH Signal Description (Sheet 2 of 11)

Signal	Type	Description																										
<b>C/BE[3:0]#</b>	I/O	<p><b>Bus Command and Byte Enables:</b> The command and byte enable signals are multiplexed on the same PCI pins. During the address phase of a transaction, C/BE[3:0]# define the bus command. During the data phase, C/BE[3:0]# define the Byte Enables.</p> <table border="1"> <thead> <tr> <th>C/BE[3:0]#</th> <th>Command Type</th> </tr> </thead> <tbody> <tr><td>0000</td><td>Interrupt Acknowledge</td></tr> <tr><td>0001</td><td>Special Cycle</td></tr> <tr><td>0010</td><td>I/O Read</td></tr> <tr><td>0011</td><td>I/O Write</td></tr> <tr><td>0110</td><td>Memory Read</td></tr> <tr><td>0111</td><td>Memory Write</td></tr> <tr><td>1010</td><td>Configuration Read</td></tr> <tr><td>1011</td><td>Configuration Write</td></tr> <tr><td>1100</td><td>Memory Read Multiple</td></tr> <tr><td>1101</td><td>DAC Mode Address to be latched (target only)</td></tr> <tr><td>1110</td><td>Memory Read Line</td></tr> <tr><td>1111</td><td>Memory Write and Invalidate</td></tr> </tbody> </table> <p>All command encodings not shown are reserved. The 82801E C-ICH does not decode reserved values, and therefore will not respond when a PCI master generates a cycle using one of the reserved values.</p> <p>As a target, the 82801E C-ICH can support DAC mode addressing for 44 bits.</p>	C/BE[3:0]#	Command Type	0000	Interrupt Acknowledge	0001	Special Cycle	0010	I/O Read	0011	I/O Write	0110	Memory Read	0111	Memory Write	1010	Configuration Read	1011	Configuration Write	1100	Memory Read Multiple	1101	DAC Mode Address to be latched (target only)	1110	Memory Read Line	1111	Memory Write and Invalidate
C/BE[3:0]#	Command Type																											
0000	Interrupt Acknowledge																											
0001	Special Cycle																											
0010	I/O Read																											
0011	I/O Write																											
0110	Memory Read																											
0111	Memory Write																											
1010	Configuration Read																											
1011	Configuration Write																											
1100	Memory Read Multiple																											
1101	DAC Mode Address to be latched (target only)																											
1110	Memory Read Line																											
1111	Memory Write and Invalidate																											
<b>CLK14</b>	I	<b>Oscillator Clock:</b> CLK14 is used for 8254 timers and runs at 14.31818 MHz.																										
<b>CLK48</b>	I	<b>48 MHz Clock:</b> CLK48 is used to for the USB controller and runs at 48 MHz.																										
<b>CLK66 (HLCLK)</b>	I	<b>66 MHz Clock (HLCLK):</b> CLK66 is used for the hub interface and runs at 66 MHz.																										
<b>CPUPWRGD</b>	OD	<b>Processor Power Good:</b> This signal should be connected to the processor's PWRGOOD input. This is an open-drain output signal (external pull-up resistor required) that represents a logical AND of the 82801E C-ICH's PWROK and VRMPWRGD signals.																										
<b>CPUSLP#</b>	O	<p><b>Processor Sleep:</b> This signal puts the processor into a state that saves substantial power compared to Stop-Grant state. However, during that time, no snoops occur.</p> <p><b>NOTE:</b> The 82801E C-ICH does not support Sleep states. This signal must be pulled up through an 8.2 K<math>\Omega</math> resistor to 3.3 V.</p>																										
<b>DEVSEL#</b>	I/O	<b>Device Select:</b> The 82801E C-ICH asserts DEVSEL# to claim a PCI transaction. As an output, the 82801E C-ICH asserts DEVSEL# when a PCI master peripheral attempts an access to an internal 82801E C-ICH address or an address destined for the hub interface (main memory or AGP). As an input, DEVSEL# indicates the response to an 82801E C-ICH-initiated transaction on the PCI bus. DEVSEL# is tri-stated from the leading edge of PCIRST#. DEVSEL# remains tri-stated by the 82801E C-ICH until driven by a target device.																										
<b>EE0_CS EE1_CS</b>	O	<b>EEPROM Chip Select:</b> These signals are chip-select signals to the EEPROMs.																										
<b>EE0_DIN EE1_DIN</b>	I	<b>EEPROM Data In:</b> These signals transfer data from the EEPROMs to the 82801E C-ICH. These signals have an integrated pull-up resistor.																										
<b>EE0_DOUT EE1_DOUT</b>	O	<b>EEPROM Data Out:</b> These signals transfer data from the 82801E C-ICH to the EEPROMs.																										
<b>EE0_SHCLK EE1_SHCLK</b>	O	<b>EEPROM Shift Clock:</b> These signals are the serial shift clock output to the EEPROMs.																										

Table 6. 82801E C-ICH Signal Description (Sheet 3 of 11)

Signal	Type	Description
FERR#	I	<b>Numeric Coprocessor Error:</b> This signal is tied to the coprocessor error signal on the processor. FERR# is only used if the 82801E C-ICH coprocessor error reporting function is enabled in the General Control Register (Device 31:Function 0, Offset D0, bit 13). If FERR# is asserted, the 82801E C-ICH generates an internal IRQ13 to its interrupt controller unit. It is also used to gate the IGNNE# signal to ensure that IGNNE# is not asserted to the processor unless FERR# is active. FERR# requires an external weak pull-up to ensure a high level when the coprocessor error function is disabled.
FRAME#	I/O	<b>Cycle Frame:</b> The current Initiator asserts FRAME# to indicate the beginning and duration of a PCI transaction. While the initiator asserts FRAME#, data transfers continue. When the initiator deasserts FRAME#, the transaction is in the final data phase. FRAME# is an input to the 82801E C-ICH when the 82801E C-ICH is the target, and FRAME# is an output from the 82801E C-ICH when the 82801E C-ICH is the Initiator. FRAME# remains tri-stated by the 82801E C-ICH until driven by an Initiator.
FWH[3:0] /LAD[3:0]	I/O	<b>Firmware Hub Signals:</b> These signals are muxed with LPC address signals.
FWH[4] /LFRAME#	I/O	<b>Firmware Hub Signals:</b> This signal is muxed with the LPC LFRAME# signal.
GNT[3:0]# GNT[5]# /GNT[B]# /GPIO[17]#	O	<b>PCI Grants:</b> The 82801E C-ICH supports up to four masters on the PCI bus. GNT[5]# is muxed with PC/PCI GNT[B]# (must choose one or the other, but not both). If not needed for PCI or PC/PCI, GNT[5]# can instead be used as a GPIO.  Pull-up resistors are not required on these signals. If pullups are used, they should be tied to the Vcc3_3 power rail. GNT[B]#/GNT[5]#/GPIO[17] has an internal pull-up.
GNT[A]# /GPIO[16] /GNT[B]# /GNT[5]# /GPIO[17]	O	<b>PC/PCI DMA Acknowledges [A:B]:</b> This grant serializes an ISA-like DACK# for the purpose of running DMA/ISA master cycles over the PCI bus. This is used by devices such as PCI-based Super I/O or audio codecs which need to perform legacy 8237 DMA but have no ISA bus.  When not used for PC/PCI, these signals can be used as General Purpose Outputs. GNTB# can also be used as the fourth PCI bus master grant output. These signal have internal pull-up resistors.
GPIO[1:0]	I	Fixed as Input only. Main Power Well. Can instead be used for PC/PCI REQ[A:B]#. GPIO[1] can also alternatively be used for PCI REQ[5]#.
GPIO[3:2]		Not implemented.
GPIO[5:4]	I	Fixed as Input only. Main power well. Can be used instead as PIRQ[G:H]#.
GPIO[6]	I	Fixed as Input only. Main power well.
GPIO[7]	I	Fixed as Input only. Main power well. Not muxed.
GPIO[8]	I	Fixed as Input only. Main power well. Not muxed.
GPIO[10:9]	I	Not implemented.
GPIO[11]	I	Fixed as Input only. Main power well. Can instead be used for SMBALERT#.
GPIO[13:12]	I	Fixed as Input only. Main power well. Not muxed.
GPIO[15:14]	I	Not implemented.
GPIO[17:16]	O	Fixed as Output only. Main Power Well. Can instead be used for PC/PCI GNT[A:B]#. GPIO[17] can also alternatively be used for PCI GNT[5]#. Integrated pull-up resistor.
GPIO[20:18]	O	Fixed as Output only. Main power well.
GPIO[21]	O	Fixed as Output only. Main power well.
GPIO[22]	OD	Fixed as Output only. Main power well. Open-drain output.
GPIO[23]	O	Fixed as Output only. Main power well.

Table 6. 82801E C-ICH Signal Description (Sheet 4 of 11)

Signal	Type	Description
GPIO[24]	I/O	Can be input or output. Main power well.
GPIO[25]	I/O	Can be input or output. Main power well. Not Muxed.
GPIO[26]	I/O	Not implemented.
GPIO[28:27]	I/O	Can be input or output. Main power well. Unmuxed.
GPIO[31:29]	O	Not implemented.
HL[11:0]	I/O	<b>Hub Interface Signals</b>
HL_STB	I/O	<b>Hub Interface Strobe:</b> One of two differential strobe signals used to transmit and receive data through the hub interface.
HL_STB#	I/O	<b>Hub Interface Strobe Complement:</b> Second of the two differential strobe signals.
HLCOMP	I/O	<b>Hub Interface Compensation:</b> Used for hub interface buffer compensation.
HUBREF		0.9 V reference for the hub interface.
IGNNE#	O	<b>Ignore Numeric Error:</b> This signal is connected to the ignore error pin on the processor. IGNNE# is only used if the 82801E C-ICH coprocessor error reporting function is enabled in the General Control Register (Device 31:Function 0, Offset D0, bit 13). When FERR# is active, indicating a coprocessor error, a write to the Coprocessor Error Register (F0h) causes the IGNNE# to be asserted. IGNNE# remains asserted until FERR# is negated. If FERR# is not asserted when the Coprocessor Error Register is written, the IGNNE# signal is not asserted. <b>Speed Strap:</b> During the reset sequence, 82801E C-ICH drives IGNNE# high if the corresponding bit is set in the FREQ_STRP register.
INIT#	O	<b>Initialization:</b> INIT# is asserted by the 82801E C-ICH for 16 PCI clocks to reset the processor. 82801E C-ICH can be configured to support processor BIST. In that case, INIT# will be active when PCIRST# is active.
INTR	O	<b>Processor Interrupt:</b> INTR is asserted by the 82801E C-ICH to signal the processor that an interrupt request is pending and needs to be serviced. It is an asynchronous output and normally driven low. <b>Speed Strap:</b> During the reset sequence, 82801E C-ICH drives INTR high if the corresponding bit is set in the FREQ_STRP register.
INTRUDER#	I	<b>Intruder Detect:</b> This signal can be set to disable system if box detected open. This signal's status is readable, so it can be used like a GPI if the Intruder Detection is not needed.
IRDY#	I/O	<b>Initiator Ready:</b> IRDY# indicates the 82801E C-ICH's ability, as an Initiator, to complete the current data phase of the transaction. It is used in conjunction with TRDY#. A data phase is completed on any clock both IRDY# and TRDY# are sampled asserted. During a write, IRDY# indicates the 82801E C-ICH has valid data present on AD[31:0]. During a read, it indicates the 82801E C-ICH is prepared to latch data. IRDY# is an input to the 82801E C-ICH when the 82801E C-ICH is the Target and an output from the 82801E C-ICH when the 82801E C-ICH is an Initiator. IRDY# remains tri-stated by the 82801E C-ICH until driven by an Initiator.
IRQ[14:15]	I	<b>Interrupt Request 14:15:</b> These interrupt inputs are connected to the IDE drives. IRQ14 is used by the drives connected to the primary controller and IRQ15 is used by the drives connected to the secondary controller.
LAD[3:0] /FWH[3:0]	I/O	<b>LPC Multiplexed Command, Address, Data:</b> Internal pull-ups are provided.
LAN0_CLK LAN1_CLK	I	<b>LAN Interface Clock:</b> This signal is driven by the LAN Connect component. The frequency range is 0.8 MHz to 50 MHz.
LAN0_RSTSYNC LAN1_RSTSYNC	O	<b>LAN Reset/Sync:</b> The LAN Connect component's Reset and Sync signals are multiplexed onto this pin.

Table 6. 82801E C-ICH Signal Description (Sheet 5 of 11)

Signal	Type	Description
LAN0_RXD[2:0] LAN1_RXD[2:0]	I	<b>Received Data:</b> The LAN Connect component uses these signals to transfer data and control information to the integrated LAN Controller. These signals have integrated weak pull-up resistors.
LAN0_TXD[2:0] LAN1_TXD[2:0]	O	<b>Transmit Data:</b> The integrated LAN Controller uses these signals to transfer data and control information to the LAN Connect component.
LDRQ[1:0]#	I	<b>LPC Serial DMA/Master Request Inputs:</b> These signals are used to request DMA or bus master access. Typically, they are connected to external Super I/O device. An internal pull-up resistor is provided on these signals.
LFRAME# /FWH[4]	O	<b>LPC Frame:</b> LFRAME# indicates the start of an LPC cycle, or an abort.
NC[10:1]	—	No Connect. Do not connect these pins. <b>Optional:</b> NC[10:6, 3:1] can be routed to a test point for use in manufacturing NAND tree testing.
NMI	O	<b>Non-Maskable Interrupt:</b> NMI is used to force a non-maskable interrupt to the processor. The 82801E C-ICH can generate an NMI when either SERR# or IOCHK# is asserted. The processor detects an NMI when it detects a rising edge on NMI. NMI is reset by setting the corresponding NMI source enable/disable bit in the NMI Status and Control Register. <b>Speed Strap:</b> During the reset sequence, 82801E C-ICH drives NMI high if the corresponding bit is set in the FREQ_STRP register.
OC[1:0]#	I	<b>Overcurrent Indicators:</b> These signals set corresponding bits in the USB controllers to indicate that an overcurrent condition has occurred.
PAR	I/O	<b>Calculated/Checked Parity:</b> PAR uses “even” parity calculated on 36 bits, AD[31:0] plus C/BE[3:0]#. “Even” parity means that the 82801E C-ICH counts the number of 1s within the 36 bits plus PAR and the sum is always even. The 82801E C-ICH always calculates PAR on 36 bits, regardless of the valid byte enables. The 82801E C-ICH generates PAR for address and data phases and only guarantees PAR to be valid one PCI clock after the corresponding address or data phase. The 82801E C-ICH drives and tri-states PAR identically to the AD[31:0] lines except that the 82801E C-ICH delays PAR by exactly one PCI clock. PAR is an output during the address phase (delayed one clock) for all 82801E C-ICH initiated transactions. PAR is an output during the data phase (delayed one clock) when the 82801E C-ICH is the Initiator of a PCI write transaction, and when it is the target of a read transaction. 82801E C-ICH checks parity when it is the target of a PCI write transaction. If a parity error is detected, the 82801E C-ICH sets the appropriate internal status bits, and has the option to generate an NMI# or SMI#.
PCICLK	I	<b>PCI Clock:</b> This is a 33 MHz clock. PCICLK provides timing for all transactions on the PCI Bus.
PCIRST#	O	<b>PCI Reset:</b> 82801E C-ICH asserts PCIRST# to reset devices that reside on the PCI bus. The 82801E C-ICH asserts PCIRST# during power-up and when S/W initiates a hard reset sequence through the RC (CF9h) register. The 82801E C-ICH drives PCIRST# inactive a minimum of 1 ms after PWROK is driven active. The 82801E C-ICH drives PCIRST# active a minimum of 1 ms when initiated through the RC register.
PDA[2:0]	O	<b>Primary IDE Device Address:</b> These output signals are connected to the corresponding signals on the primary IDE connector. They are used to indicate which byte in either the ATA command block or control block is being addressed.
PDCS1#	O	<b>Primary IDE Device Chip Selects for 100 Range:</b> This signal is for the ATA command register block. This output signal is connected to the corresponding signal on the primary IDE connector.

Table 6. 82801E C-ICH Signal Description (Sheet 6 of 11)

Signal	Type	Description
PDCS3#	O	<b>Primary IDE Device Chip Select for 300 Range:</b> This signal is for the ATA control register block. This output signal is connected to the corresponding signal on the primary IDE connector.
PDD[15:0]	I/O	<b>Primary IDE Device Data:</b> These signals directly drive the corresponding signals on the primary IDE connector. There is a weak internal pull-down resistor on PDD[7].
PDDACK#	O	<b>Primary IDE Device DMA Acknowledge:</b> This signal directly drives the DAK# signal on the primary IDE connector. This signal is asserted by the 82801E C-ICH to indicate to the IDE DMA slave device that a given data transfer cycle (assertion of DIOR# or DIOW#) is a DMA data transfer cycle. This signal is used in conjunction with the PCI bus master IDE function and is not associated with any AT-compatible DMA channel.
PDDREQ	I	<b>Primary IDE Device DMA Request:</b> This input signal is directly driven from the DRQ signal on the primary IDE connector. It is asserted by the IDE device to request a data transfer, and used in conjunction with the PCI bus master IDE function. This signal is not associated with any AT-compatible DMA channel. There is a weak internal pull-down resistor on PDDREQ.
PDIOR# /(PDWSTB /PRDMARDY#)	O	<b>Primary Disk I/O Read (PIO and Non-Ultra DMA):</b> This is the command to the IDE device that it may drive data on the PDD lines. Data is latched by the 82801E C-ICH on the deassertion edge of PDIOR#. The IDE device is selected either by the ATA register file chip selects (PDCS1#, PDCS3#) and the PDA lines, or the IDE DMA acknowledge (PDDAK#). <b>Primary Disk Write Strobe (Ultra DMA Writes to Disk):</b> PDWSTB is the data write strobe for writes to disk. When writing to disk, the 82801E C-ICH drives valid data on rising and falling edges of PDWSTB. <b>Primary Disk DMA Ready (Ultra DMA Reads from Disk):</b> PRDMARDY# is the DMA ready for reads from disk. When reading from disk, the 82801E C-ICH deasserts PRDMARDY# to pause burst data transfers.
PDIOW# /(PDSTOP)	O	<b>Primary Disk I/O Write (PIO and Non-Ultra DMA):</b> This is the command to the IDE device that it may latch data from the PDD lines. Data is latched by the IDE device on the deassertion edge of PDIOW#. The IDE device is selected either by the ATA register file chip selects (PDCS1#, PDCS3#) and the PDA lines, or the IDE DMA acknowledge (PDDAK#). <b>Primary Disk Stop (Ultra DMA):</b> 82801E C-ICH asserts PDSTOP to terminate a burst.
PERR#	I/O	<b>Parity Error:</b> An external PCI device drives PERR# when it receives data that has a parity error. The 82801E C-ICH drives PERR# when it detects a parity error. The ICH can either generate an NMI# or SMI# upon detecting a parity error (either detected internally or reported via the PERR# signal).
PIORDY /(PDRSTB /PDMARDY#)	I	<b>Primary I/O Channel Ready (PIO):</b> This signal keeps the strobe active (PDIOR# on reads, PDIOW# on writes) longer than the minimum width. It adds wait states to PIO transfers. <b>Primary Disk Read Strobe (Ultra DMA Reads from Disk):</b> When reading from disk, the 82801E C-ICH latches data from the disk on rising and falling edges of PDRSTB. <b>Primary Disk DMA Ready (Ultra DMA Writes to Disk):</b> When writing to disk, PDMARDY# is deasserted by the disk to pause burst data transfers.
PIRQ[A:D]#	I/OD	<b>PCI Interrupt Requests:</b> In Non-APIC Mode the PIRQx# signals can be routed to interrupts 3:7, 9:12, 14, or 15 as described in the Interrupt Steering section. Each PIRQx# line has a separate Route Control Register. In APIC mode, these signals are connected to the internal I/O APIC in the following fashion: PIRQ[A]# is connected to IRQ16, PIRQ[B]# to IRQ17, PIRQ[C]# to IRQ18, and PIRQ[D]# to IRQ19. This frees the ISA interrupts.

Table 6. 82801E C-ICH Signal Description (Sheet 7 of 11)

Signal	Type	Description
PIRQ[E:F]# PIRQ[G]#/GPIO[4] PIRQ[H]#/GPIO[5]	I/OD	<b>PCI Interrupt Requests:</b> In Non-APIC Mode the PIRQx# signals can be routed to interrupts 3:7, 9:12, 14 or 15 as described in the Interrupt Steering section. Each PIRQx# line has a separate Route Control Register. In APIC mode, these signals are connected to the internal I/O APIC in the following fashion: PIRQ[E]# is connected to IRQ20, PIRQ[F]# to IRQ21, PIRQ[G]# to IRQ22, and PIRQ[H]# to IRQ23. If not needed for interrupts, these signals can be used as GPIO.
PLOCK#	I/O	<b>PCI Lock:</b> PLOCK# indicates an exclusive bus operation and may require multiple transactions to complete. 82801E C-ICH asserts PLOCK# when it performs non-exclusive transactions on the PCI bus.
PWROK	I	<b>Power OK:</b> When asserted, PWROK is an indication to the 82801E C-ICH that core power and PCICLK have been stable for at least 1 ms. PWROK can be driven asynchronously. When PWROK is negated, the 82801E C-ICH asserts PCIRST#.
RCIN#	I	<b>Keyboard Controller Reset Processor:</b> The keyboard controller can generate INIT# to the processor. This saves the external OR gate with the 82801E C-ICH's other sources of INIT#. When the 82801E C-ICH detects the assertion of this signal, INIT# is generated for 16 PCI clocks.
REQ[3:0]# REQ[5]# /REQ[B]# /GPIO[1]	I	<b>PCI Requests:</b> The 82801E C-ICH supports up to four masters on the PCI bus. REQ[5]# is muxed with PC/PCI REQ[B]# (must choose one or the other, but not both). If not used for PCI or PC/PCI, REQ[5]#/REQ[B]# can instead be used as GPIO[1]. <b>NOTE:</b> REQ[0]# is programmable to have improved arbitration latency for supporting PCI-based 1394 controllers.
REQ[A]# /GPIO[0] REQ[B]# /REQ[5]# /GPIO[1]	I	<b>PC/PCI DMA Request [A:B]:</b> This request serializes ISA-like DMA Requests for the purpose of running ISA-compatible DMA cycles over the PCI bus. This is used by devices such as PCI-based Super I/O or audio codecs that need to perform legacy 8237 DMA but have no ISA bus. When not used for PC/PCI requests, these signals can be used as General Purpose Inputs. Instead, REQ[B]# can be used as the fourth PCI bus request.
RESERVED1 RESERVED2	—	This signal must have an external pull up to Vcc3_3.
RI#	I	<b>Ring Indicate:</b> From the modem interface. This signal can be enabled as a wake event; this is preserved across power failures.
RSM_PWROK	I	<b>Resume Well Power OK:</b> When asserted, this signal is an indication to the 82801E C-ICH that the resume well power has been stable for at least 10 ms. <b>NOTE:</b> The 82801E C-ICH does not use the Resume Well Power OK signal.
RSMRST#	I	<b>Resume Well Reset:</b> RSMRST# is used for resetting the resume power plane logic. <b>NOTE:</b> The 82801E C-ICH does not use the Resume Well Reset signal.
RTCRST#	I	<b>RTC Reset:</b> When asserted, this signal resets register bits in the RTC well and sets the RTC_PWR_STS bit (bit 2 in GEN_PMCON3 register). This signal is also used to enter the test modes documented in "Test Signals" on page 49. <b>NOTE:</b> Clearing CMOS in an 82801E C-ICH-based platform can be done by using a jumper on RTCRST# or GPI, or using SAFEMODE strap. Implementations should not attempt to clear CMOS by using a jumper to pull VccRTC low.
RTCX1	Special	<b>Crystal Input 1:</b> This signal is connected to the 32.768 KHz crystal. If no external crystal is used, then RTCX1 can be driven with the desired clock rate.
RTCX2	Special	<b>Crystal Input 2:</b> This signal is connected to the 32.768 KHz crystal. If no external crystal is used, then RTCX2 should be left floating.

Table 6. 82801E C-ICH Signal Description (Sheet 8 of 11)

Signal	Type	Description
SDA[2:0]	O	<b>Secondary IDE Device Address:</b> These output signals are connected to the corresponding signals on the secondary IDE connectors. They are used to indicate which byte in either the ATA command block or control block is being addressed.
SDCS1#	O	<b>Secondary IDE Device Chip Selects for 100 Range:</b> This signal is for the ATA command register block. This output signal is connected to the corresponding signal on the secondary IDE connector.
SDCS3#	O	<b>Secondary IDE Device Chip Select for 300 Range:</b> This signal is for the ATA control register block. This output signal is connected to the corresponding signal on the secondary IDE connector.
SDD[15:0]	I/O	<b>Secondary IDE Device Data:</b> These signals directly drive the corresponding signals on the secondary IDE connector. There is a weak internal pull-down resistor on SDD[7].
SDDACK#	O	<b>Secondary IDE Device DMA Acknowledge:</b> This signal directly drives the DAK# signal on the secondary IDE connectors. This signal is asserted by the 82801E C-ICH to indicate to the IDE DMA slave device that a given data transfer cycle (assertion of DIOR# or DIOW#) is a DMA data transfer cycle. This signal is used in conjunction with the PCI bus master IDE function and is not associated with any AT-compatible DMA channel.
SDDREQ	I	<b>Secondary IDE Device DMA Request:</b> This input signal is directly driven from the DRQ signals on the secondary IDE connector. It is asserted by the IDE device to request a data transfer, and used in conjunction with the PCI bus master IDE function. It is not associated with any AT-compatible DMA channel. There is a weak internal pull-down resistor on SDDREQ.
SDIOR# /(SDWSTB/ SRDMARDY#)	O	<b>Secondary Disk I/O Read (PIO and Non-Ultra DMA):</b> This is the command to the IDE device that it may drive data on the SDD lines. Data is latched by the 82801E C-ICH on the deassertion edge of SDIOR#. The IDE device is selected either by the ATA register file chip selects (SDCS1# or SDSC3#) and the SDA lines, or the IDE DMA acknowledge (SDDAK#). <b>Secondary Disk Write Strobe (Ultra DMA Writes to Disk):</b> This is the data write strobe for writes to disk. When writing to disk, the 82801E C-ICH drives valid data on rising and falling edges of SDWSTB. <b>Secondary Disk DMA Ready (Ultra DMA Reads from Disk):</b> This is the DMA ready for reads from disk. When reading from disk, the 82801E C-ICH deasserts SRDMARDY# to pause burst data transfers.
SDIOW# /(SDSTOP)	O	<b>Secondary Disk I/O Write (PIO and Non-Ultra DMA):</b> This is the command to the IDE device that it may latch data from the SDD lines. Data is latched by the IDE device on the deassertion edge of SDIOW#. The IDE device is selected either by the ATA register file chip selects (SDCS1# or SDSC3#) and the SDA lines, or the IDE DMA acknowledge (SDDAK#). <b>Secondary Disk Stop (Ultra DMA):</b> The 82801E C-ICH asserts SDSTOP to terminate a burst.
SERIRQ	I/O	<b>Serial Interrupt Request:</b> This pin implements the serial interrupt protocol.
SERR#	I	<b>System Error:</b> SERR# can be pulsed active by any PCI device that detects a system error condition. Upon sampling SERR# active, the 82801E C-ICH has the ability to generate an NMI, SMI#, or interrupt.
SIORDY /(SDRSTB /SWDMARDY#)	I	<b>Secondary I/O Channel Ready (PIO):</b> This signal keeps the strobe active (SDIOR# on reads, SDIOW# on writes) longer than the minimum width. It adds wait states to SIO transfers. <b>Secondary Disk Read Strobe (Ultra DMA Reads from Disk):</b> When reading from disk, the 82801E C-ICH latches data from the disk on rising and falling edges of SDRSTB. <b>Secondary Disk DMA Ready (Ultra DMA Writes to Disk):</b> When writing to disk, SWDMARDY# is deasserted by the disk to pause burst data transfers.



Table 6. 82801E C-ICH Signal Description (Sheet 9 of 11)

Signal	Type	Description
SIU_LAD[3:0]	I/O	<b>SIU LPC Multiplexed Command, Address, Data:</b> Internal pull-ups are provided.
SIU_LCLK	I	<b>SIU LPC clock input to SIU:</b> 33 MHz LPC clock.
SIU_LDRQ#	O	<b>SIU LPC Serial DMA/Master Request Output:</b> Used by SIU devices to indicate a DMA request. These signals have weak internal pull-up resistors to avoid external glue.
SIU_LFRAME#	I	<b>SIU LPC Frame:</b> Indicates the start of an LPC cycle, or an abort.
SIU_RESET#	I	<b>SIU Reset:</b> This signal should be tied to PCI RESET.
SIU_SERIRQ	I/O	<b>SIU Serial IRQ input:</b> This pin receives the serial interrupt protocol from external devices. Pull up if unused.
SIU0_CTS# SIU1_CTS#	I	<b>Clear To Send:</b> Active low, this pin indicates that data can be exchanged between CICH and external interface. These pins have no effect on the transmitter. <b>NOTE:</b> These pins could be used as Modem Status Input whose condition can be tested by the processor by reading bit 4 (CTS) of the Modem Status register (MSR). Bit 4 is the complement of the CTS# signal. Bit 0 (DCTS) of the MSR indicates whether the CTS# input has changed state since the previous reading of the MSR. When the CTS bit of the MSR changes state an interrupt is generated if the Modem Status Interrupt is enabled.
SIU0_DCD# SIU1_DCD#	I	<b>Data Carrier Detect for UART0 and UART1:</b> Active low, this pin indicates that data carrier has been detected by the external agent. <b>NOTE:</b> These pins are Modem Status Inputs whose condition can be tested by the processor by reading bit 7 (DCD) of the Modem Status register (MSR). Bit 7 is the complement of the DCD# signal. Bit 3 (DDCD) of the MSR indicates whether the DCD# input has changed state since the previous reading of the MSR. When the DCD bit of the MSR changes state an interrupt is generated if the Modem Status Interrupt is enabled.
SIU0_DSR# SIU1_DSR#	I	<b>Data Set Ready for UART0 and UART1:</b> Active low, this pin indicates that the external agent is ready to communicate with 82801E C-ICH UARTs. These pins have no effect on the transmitter. <b>NOTE:</b> These pins could be used as Modem Status Inputs whose condition can be tested by the processor by reading bit 5 (DSR) of the Modem Status register. Bit 5 is the complement of the DSR# signal. Bit 1 (DDSR) of the Modem status register (MSR) indicates whether the DSR# input has changed state since the previous reading of the MSR. When the DSR bit of the MSR changes state an interrupt is generated if the Modem Status Interrupt is enabled.
SIU0_DTR# SIU1_DTR#	O	<b>Data Terminal Ready for UART0 and UART1:</b> When low these pins informs the modem or data set that CICH UART 0, 1 are ready to establish a communication link. The DTR# $x(x=0,1)$ output signals can be set to an active low by programming the DTR $x(x=0,1)$ (bit0) of the Modem control register to a logic '1'. A Reset operation sets this signal to its inactive state (logic '1'). LOOP mode operation holds this signal in its inactive state.
SIU0_RI# SIU1_RI#	I	<b>Ring Indicator for UART0 and UART1:</b> Active low, this pin indicates that a telephone ringing signal has been received by the external agent. <b>NOTE:</b> These pins are Modem Status Input whose condition can be tested by the processor by reading bit 6 (RI) of the Modem Status register (MSR). Bit 6 is the complement of the RI# signal. Bit 2 (TERI) of the MSR indicates whether the DCD# input has changed state since the previous reading of the MSR. When the RI bit of the MSR changes state an interrupt is generated if the Modem Status Interrupt is enabled.

Table 6. 82801E C-ICH Signal Description (Sheet 10 of 11)

Signal	Type	Description
SIU0_RTS# SIU1_RTS#	O	<b>Request To Send for UART0 and UART1:</b> When low these pins inform the modem or data set that CICH UART 0, 1 are ready to establish a communication link. The RTS#x(x=0,1) output signals can be set to an active low by programming the RTSx (x=0,1) (bit1) of the Modem control register to a logic '1'. A Reset operation sets this signal to its inactive state (logic '1'). LOOP mode operation holds this signal in its inactive state.
SIU0_RXD SIU1_RXD	I	<b>Serial Input for UART0 and UART1:</b> Serial data input from device pin to the receive port.
SIU0_TXD SIU1_TXD	O	<b>Serial Output for UART0 and UART1:</b> Serial data output to the communication peripheral/modem or data set. Upon reset, the TXD pins will be set to MARKING condition (logic '1' state).
SMBALERT# /GPIO[11]	I	<b>SMBus Alert:</b> This signal is used to wake the system or generate an SMI#. If not used for SMBALERT#, it can be used as a GPI.
SMBCLK	I/OD	<b>SMBus Clock:</b> External pull-up is required.
SMBDATA	I/OD	<b>SMBus Data:</b> External pull-up is required.
SMI#	O	<b>System Management Interrupt:</b> SMI# is an active low output synchronous to PCICLK. It is asserted by the 82801E C-ICH in response to one of many enabled hardware or software events.
SMLINK[1:0]	I/OD	<b>System Management Link:</b> These signals are an SMBus link to an optional external system management ASIC or LAN controller. External pull-ups are required. <b>NOTE:</b> SMLINK[0] corresponds to an SMBus Clock signal and SMLINK[1] corresponds to an SMBus Data signal.
SPKR	O	<b>Speaker:</b> The SPKR signal is the output of counter 2 and is internally ANDed with Port 61h bit 1 to provide Speaker Data Enable. This signal drives an external speaker driver device, which in turn drives the system speaker. Upon PCIRST#, its output state is 1. <b>NOTE:</b> SPKR is sampled at the rising edge of PWROK as a functional strap. See "Functional Straps" on page 49 for more details.
STOP#	I/O	<b>Stop:</b> STOP# indicates that the 82801E C-ICH, as a Target, is requesting the Initiator to stop the current transaction. STOP# causes the 82801E C-ICH, as an Initiator, to stop the current transaction. STOP# is an output when the 82801E C-ICH is a target and an input when the 82801E C-ICH is an Initiator. STOP# is tri-stated from the leading edge of PCIRST#. STOP# remains tri-stated until driven by the 82801E C-ICH.
STPCLK#	O	<b>Stop Clock Request:</b> STPCLK# is an active low output synchronous to PCICLK. It is asserted by the 82801E C-ICH in response to one of many hardware or software events. When the processor samples STPCLK# asserted, it responds by stopping its internal clock.
SUSCLK	O	<b>Suspend Clock:</b> This signal is an output of the RTC generator circuit and is used by other chips for the refresh clock.
THRM#	I	<b>Thermal Alarm:</b> THRM# is an active low signal generated by external hardware to start the hardware clock throttling mode. This signal can also generate an SMI# or an SCI.
TP[3:0]	I	<b>Test Points:</b> TP0: This signal must have an external pull-up to Vcc3_3. TP1: Route to a test point with option to jumper to Vcc1_8. Used for NAND tree testing. Otherwise jumper to Vcc1_8. TP2 and TP3: Route to a test point with option to jumper to VSS. Used for NAND tree testing. Otherwise jumper to VSS.

Table 6. 82801E C-ICH Signal Description (Sheet 11 of 11)

Signal	Type	Description
TRDY#	I/O	<b>Target Ready:</b> TRDY# indicates the 82801E C-ICH's ability as a Target to complete the current data phase of the transaction. TRDY# is used in conjunction with IRDY#. A data phase is completed when both TRDY# and IRDY# are sampled asserted. During a read, TRDY# indicates that the 82801E C-ICH, as a Target, has placed valid data on AD[31:0]. During a write, TRDY# indicates the 82801E C-ICH, as a Target is prepared to latch data. TRDY# is an input to the 82801E C-ICH when the 82801E C-ICH is the Initiator and an output from the 82801E C-ICH when the 82801E C-ICH is a Target. TRDY# is tri-stated from the leading edge of PCIRST#. TRDY# remains tri-stated by the 82801E C-ICH until driven by a target.
UART_CLK	I	Input clock to the SIU. This clock is passed to the baud clock generation logic of each UART in the SIU.
USBP0P USBP0N USBP1P USBP1N	I/O	<b>Universal Serial Bus Port 1:0 Differential:</b> These differential pairs are used to transmit Data/Address/Command signals for ports 0 and 1.
V_CPU_IO		Powered by the same supply as the processor I/O voltage. This supply is used to drive the processor interface outputs.
V5REF		Reference for 5 V tolerance on Core well inputs.
VBIAS		RTC well bias voltage. The DC reference voltage applied to this pin sets a current that is mirrored throughout the oscillator and buffer circuitry. See "External RTC Circuitry" on page 50.
Vcc1_8		1.8 V supply for Core well logic.
Vcc3_3		3.3 V supply for Core well I/O buffers.
VccRTC		3.3 V (can drop to 2.0 V minimum in the G3 state) supply for the RTC well. This power is not expected to be shut off unless the RTC battery is removed or completely drained. <b>NOTE:</b> Implementations should not attempt to clear CMOS by using a jumper to pull VccRTC low. Clearing CMOS in an 82801E C-ICH-based platform can be done by using a jumper on RTCRST# or GPI, or using SAFEMODE strap.
VRMPWRGD	I	<b>VRM Power Good:</b> This can be considered to be the CPU's VRM power good. This signal should be ANDed with the ATX power supply's PWROK signal.
Vss		Grounds.

## 3.2 Signals Grouped By Type

### 3.2.1 Hub Interface to Host Controller

Table 7. Hub Interface Signals

Name	Type	Description
HL[11:0]	I/O	Hub Interface Signals
HL_STB	I/O	Hub Interface Strobe: One of two differential strobe signals used to transmit and receive data through the hub interface.
HL_STB#	I/O	Hub Interface Strobe Complement: Second of the two differential strobe signals.
HLCOMP	I/O	Hub Interface Compensation: Used for hub interface buffer compensation.

### 3.2.2 Link to LAN Connect

Table 8. LAN Interface

Name	Type	Description
LAN0_CLK LAN1_CLK	I	<b>LAN Interface Clock:</b> This signal is driven by the LAN Connect component. The frequency range is 0.8 MHz to 50 MHz.
LAN0_RSTSYNC LAN1_RSTSYNC	O	<b>LAN Reset/Sync:</b> The LAN Connect component's Reset and Sync signals are multiplexed onto this pin.
LAN0_RXD[2:0] LAN1_RXD[2:0]	I	<b>Received Data:</b> The LAN Connect component uses these signals to transfer data and control information to the integrated LAN Controller. These signals have integrated weak pull-up resistors.
LAN0_TXD[2:0] LAN1_TXD[2:0]	O	<b>Transmit Data:</b> The integrated LAN Controller uses these signals to transfer data and control information to the LAN Connect component.

### 3.2.3 EEPROM Interface

Table 9. EEPROM Interface

Name	Type	Description
EE0_CS EE1_CS	O	<b>EEPROM Chip Select:</b> These signals are chip-select signals to the EEPROMs.
EE0_DIN EE1_DIN	I	<b>EEPROM Data In:</b> These signals transfer data from the EEPROMs to the 82801E C-ICH. These signals have an integrated pull-up resistor.
EE0_DOUT EE1_DOUT	O	<b>EEPROM Data Out:</b> These signals transfer data from the 82801E C-ICH to the EEPROMs.
EE0_SHCLK EE1_SHCLK	O	<b>EEPROM Shift Clock:</b> These signals are the serial shift clock output to the EEPROMs.

### 3.2.4 Firmware Hub Interface

**Table 10. Firmware Hub Interface Signals**

Name	Type	Description
<b>FWH[3:0]</b> /LAD[3:0]	I/O	<b>Firmware Hub Signals:</b> These signals are muxed with LPC address signals.
<b>FWH[4]</b> /LFRAME#	I/O	<b>Firmware Hub Signals:</b> This signal is muxed with the LPC LFRAME# signal.

### 3.2.5 PCI Interface

**Table 11. PCI Interface Signals (Sheet 1 of 3)**

Name	Type	Description																										
<b>AD[31:0]</b>	I/O	<b>PCI Address/Data:</b> AD[31:0] is a multiplexed address and data bus. During the first clock of a transaction, AD[31:0] contain a physical address (32 bits). During subsequent clocks, AD[31:0] contain data. The 82801E C-ICH drives all 0s on AD[31:0] during the address phase of all PCI Special Cycles.																										
<b>C/BE[3:0]#</b>	I/O	<p><b>Bus Command and Byte Enables:</b> The command and byte enable signals are multiplexed on the same PCI pins. During the address phase of a transaction, C/BE[3:0]# define the bus command. During the data phase, C/BE[3:0]# define the Byte Enables.</p> <table border="0"> <thead> <tr> <th>C/BE[3:0]#</th> <th>Command Type</th> </tr> </thead> <tbody> <tr> <td>0000</td> <td>Interrupt Acknowledge</td> </tr> <tr> <td>0001</td> <td>Special Cycle</td> </tr> <tr> <td>0010</td> <td>I/O Read</td> </tr> <tr> <td>0011</td> <td>I/O Write</td> </tr> <tr> <td>0110</td> <td>Memory Read</td> </tr> <tr> <td>0111</td> <td>Memory Write</td> </tr> <tr> <td>1010</td> <td>Configuration Read</td> </tr> <tr> <td>1011</td> <td>Configuration Write</td> </tr> <tr> <td>1100</td> <td>Memory Read Multiple</td> </tr> <tr> <td>1101</td> <td>DAC Mode Address to be latched (target only)</td> </tr> <tr> <td>1110</td> <td>Memory Read Line</td> </tr> <tr> <td>1111</td> <td>Memory Write and Invalidate</td> </tr> </tbody> </table> <p>All command encodings not shown are reserved. The 82801E C-ICH does not decode reserved values, and therefore will not respond if a PCI master generates a cycle using one of the reserved values.</p> <p>As a target, the 82801E C-ICH can support DAC mode addressing for 44 bits.</p>	C/BE[3:0]#	Command Type	0000	Interrupt Acknowledge	0001	Special Cycle	0010	I/O Read	0011	I/O Write	0110	Memory Read	0111	Memory Write	1010	Configuration Read	1011	Configuration Write	1100	Memory Read Multiple	1101	DAC Mode Address to be latched (target only)	1110	Memory Read Line	1111	Memory Write and Invalidate
C/BE[3:0]#	Command Type																											
0000	Interrupt Acknowledge																											
0001	Special Cycle																											
0010	I/O Read																											
0011	I/O Write																											
0110	Memory Read																											
0111	Memory Write																											
1010	Configuration Read																											
1011	Configuration Write																											
1100	Memory Read Multiple																											
1101	DAC Mode Address to be latched (target only)																											
1110	Memory Read Line																											
1111	Memory Write and Invalidate																											
<b>DEVSEL#</b>	I/O	<b>Device Select:</b> The 82801E C-ICH asserts DEVSEL# to claim a PCI transaction. As an output, the 82801E C-ICH asserts DEVSEL# when a PCI master peripheral attempts an access to an internal 82801E C-ICH address or an address destined for the hub interface (main memory or AGP). As an input, DEVSEL# indicates the response to an 82801E C-ICH-initiated transaction on the PCI bus. DEVSEL# is tri-stated from the leading edge of PCIRST#. DEVSEL# remains tri-stated by the 82801E C-ICH until driven by a target device.																										

Table 11. PCI Interface Signals (Sheet 2 of 3)

Name	Type	Description
<b>FRAME#</b>	I/O	<b>Cycle Frame:</b> The current Initiator drives FRAME# to indicate the beginning and duration of a PCI transaction. While the initiator asserts FRAME#, data transfers continue. When the initiator negates FRAME#, the transaction is in the final data phase. FRAME# is an input to the 82801E C-ICH when the 82801E C-ICH is the target, and FRAME# is an output from the 82801E C-ICH when the 82801E C-ICH is the Initiator. FRAME# remains tri-stated by the 82801E C-ICH until driven by an Initiator.
<b>IRDY#</b>	I/O	<b>Initiator Ready:</b> IRDY# indicates the 82801E C-ICH's ability, as an Initiator, to complete the current data phase of the transaction. It is used in conjunction with TRDY#. A data phase is completed on any clock both IRDY# and TRDY# are sampled asserted. During a write, IRDY# indicates the 82801E C-ICH has valid data present on AD[31:0]. During a read, it indicates the 82801E C-ICH is prepared to latch data. IRDY# is an input to the 82801E C-ICH when the 82801E C-ICH is the Target and an output from the 82801E C-ICH when the 82801E C-ICH is an Initiator. IRDY# remains tri-stated by the 82801E C-ICH until driven by an Initiator.
<b>TRDY#</b>	I/O	<b>Target Ready:</b> TRDY# indicates the 82801E C-ICH's ability as a Target to complete the current data phase of the transaction. TRDY# is used in conjunction with IRDY#. A data phase is completed when both TRDY# and IRDY# are sampled asserted. During a read, TRDY# indicates that the 82801E C-ICH, as a Target, has placed valid data on AD[31:0]. During a write, TRDY# indicates the 82801E C-ICH, as a Target is prepared to latch data. TRDY# is an input to the 82801E C-ICH when the 82801E C-ICH is the Initiator and an output from the 82801E C-ICH when the 82801E C-ICH is a Target. TRDY# is tri-stated from the leading edge of PCIRST#. TRDY# remains tri-stated by the 82801E C-ICH until driven by a target.
<b>STOP#</b>	I/O	<b>Stop:</b> STOP# indicates that the 82801E C-ICH, as a Target, is requesting the Initiator to stop the current transaction. STOP# causes the 82801E C-ICH, as an Initiator, to stop the current transaction. STOP# is an output when the 82801E C-ICH is a target and an input when the 82801E C-ICH is an Initiator. STOP# is tri-stated from the leading edge of PCIRST#. STOP# remains tri-stated until driven by the 82801E C-ICH.
<b>PAR</b>	I/O	<b>Calculated/Checked Parity:</b> PAR uses "even" parity calculated on 36 bits, AD[31:0] plus C/BE[3:0]#. "Even" parity means that the 82801E C-ICH counts the number of 1s within the 36 bits plus PAR and the sum is always even. The 82801E C-ICH always calculates PAR on 36 bits, regardless of the valid byte enables. The 82801E C-ICH generates PAR for address and data phases and only guarantees PAR to be valid one PCI clock after the corresponding address or data phase. The 82801E C-ICH drives and tri-states PAR identically to the AD[31:0] lines except that the 82801E C-ICH delays PAR by exactly one PCI clock. PAR is an output during the address phase (delayed one clock) for all 82801E C-ICH initiated transactions. PAR is an output during the data phase (delayed one clock) when the 82801E C-ICH is the Initiator of a PCI write transaction, and when it is the target of a read transaction. 82801E C-ICH checks parity when it is the target of a PCI write transaction. If a parity error is detected, the 82801E C-ICH sets the appropriate internal status bits, and has the option to generate an NMI# or SMI#.
<b>PERR#</b>	I/O	<b>Parity Error:</b> An external PCI device drives PERR# when it receives data that has a parity error. The 82801E C-ICH drives PERR# when it detects a parity error. The ICH can either generate an NMI# or SMI# upon detecting a parity error (either detected internally or reported via the PERR# signal).
<b>REQ[3:0]#</b> /REQ[5]# /REQ[B]# /GPIO[1]	I	<b>PCI Requests:</b> The 82801E C-ICH supports up to five masters on the PCI bus. REQ[5]# is muxed with PC/PCI REQ[B]# (must choose one or the other, but not both). If not used for PCI or PC/PCI, REQ[5]#/REQ[B]# can instead be used as GPIO[1].  <b>NOTE:</b> REQ[0]# is programmable to have improved arbitration latency for supporting PCI-based 1394 controllers.

Table 11. PCI Interface Signals (Sheet 3 of 3)

Name	Type	Description
<b>GNT[3:0]#</b> /GNT[5]# /GNT[B]# /GPIO[17]#	O	<b>PCI Grants:</b> The 82801E C-ICH supports up to four masters on the PCI bus. Pull-up resistors are not required on these signals. If pullups are used, they should be tied to the Vcc3_3 power rail. GNT[B]#/GNT[5]#/GPIO[17] has an internal pull-up.
<b>PCICLK</b>	I	<b>PCI Clock:</b> This is a 33 MHz clock. PCICLK provides timing for all transactions on the PCI Bus.
<b>PCIRST#</b>	O	<b>PCI Reset:</b> 82801E C-ICH asserts PCIRST# to reset devices that reside on the PCI bus. The 82801E C-ICH asserts PCIRST# during power-up and when S/W initiates a hard reset sequence through the RC (CF9h) register. The 82801E C-ICH drives PCIRST# inactive a minimum of 1 ms after PWROK is driven active. The 82801E C-ICH drives PCIRST# active a minimum of 1 ms when initiated through the RC register.
<b>PLOCK#</b>	I/O	<b>PCI Lock:</b> PLOCK# indicates an exclusive bus operation and may require multiple transactions to complete. 82801E C-ICH asserts PLOCK# when it performs non-exclusive transactions on the PCI bus.
<b>SERR#</b>	I	<b>System Error:</b> SERR# can be pulsed active by any PCI device that detects a system error condition. Upon sampling SERR# active, the 82801E C-ICH has the ability to generate an NMI, SMI#, or interrupt.
<b>REQ[A]#</b> /GPIO[0] <b>REQ[B]#</b> /REQ[5]# /GPIO[1]	I	<b>PC/PCI DMA Request [A:B]:</b> This request serializes ISA-like DMA Requests for the purpose of running ISA-compatible DMA cycles over the PCI bus. This is used by devices such as PCI-based Super I/O or audio codecs that need to perform legacy 8237 DMA but have no ISA bus.  When not used for PC/PCI requests, these signals can be used as General Purpose Inputs. Instead, REQ[B]# can be used as the fifth PCI bus request.
<b>GNT[A]#</b> /GPIO[16] <b>GNT[B]#</b> /GNT[5]# /GPIO[17]	O	<b>PC/PCI DMA Acknowledges [A:B]:</b> This grant serializes an ISA-like DACK# for the purpose of running DMA/ISA master cycles over the PCI bus. This is used by devices such as PCI-based Super/I/O or audio codecs which need to perform legacy 8237 DMA but have no ISA bus.  When not used for PC/PCI, these signals can be used as General Purpose Outputs. GNTB# can also be used as the fifth PCI bus master grant output. These signal have internal pull-up resistors.

### 3.2.6 IDE Interface

Table 12. IDE Interface Signals

Name	Type	Description
<b>PDCS1#</b> <b>SDCS1#</b>	O	<b>Primary and Secondary IDE Device Chip Selects for 100 Range:</b> These signals are for the ATA command register block. This output signal is connected to the corresponding signal on the primary or secondary IDE connector.
<b>PDCS3#</b> <b>SDCS3#</b>	O	<b>Primary and Secondary IDE Device Chip Select for 300 Range:</b> These signals are for the ATA control register block. This output signal is connected to the corresponding signal on the primary or secondary IDE connector.
<b>PDA[2:0]</b> <b>SDA[2:0]</b>	O	<b>Primary and Secondary IDE Device Address:</b> These output signals are connected to the corresponding signals on the primary or secondary IDE connectors. They are used to indicate which byte in either the ATA command block or control block is being addressed.
<b>PDD[15:0]</b> <b>SDD[15:0]</b>	I/O	<b>Primary and Secondary IDE Device Data:</b> These signals directly drive the corresponding signals on the primary or secondary IDE connector. There is a weak internal pull-down resistor on PDD[7] and SDD[7].
<b>PDDREQ</b> <b>SDDREQ</b>	I	<b>Primary and Secondary IDE Device DMA Request:</b> These input signals are directly driven from the DRQ signals on the primary or secondary IDE connector. It is asserted by the IDE device to request a data transfer, and used in conjunction with the PCI bus master IDE function. They are not associated with any AT-compatible DMA channel. There is a weak internal pull-down resistor on these signals.
<b>PDDACK#</b> <b>SDDACK#</b>	O	<b>Primary and Secondary IDE Device DMA Acknowledge:</b> These signals directly drive the DAK# signals on the primary and secondary IDE connectors. Each signal is asserted by the 82801E C-ICH to indicate to the IDE DMA slave devices that a given data transfer cycle (assertion of DIOR# or DIOW#) is a DMA data transfer cycle. This signal is used in conjunction with the PCI bus master IDE function and are not associated with any AT-compatible DMA channel.
<b>PDIOR#</b> <b>/(PDWSTB</b> <b>/PRDMARDY#)</b> <b>SDIOR#</b> <b>/(SDWSTB</b> <b>/SRDMARDY#)</b>	O	<b>Primary and Secondary Disk I/O Read (PIO and Non-Ultra DMA):</b> This is the command to the IDE device that it may drive data on the PDD or SDD lines. Data is latched by the 82801E C-ICH on the deassertion edge of PDIOR# or SDIOR#. The IDE device is selected either by the ATA register file chip selects (PDCS1# or SDCS1#, PDCS3# or SDCS3#) and the PDA or SDA lines, or the IDE DMA acknowledge (PDDAK# or SDDAK#). <b>Primary and Secondary Disk Write Strobe (Ultra DMA Writes to Disk):</b> This is the data write strobe for writes to disk. When writing to disk, 82801E C-ICH drives valid data on rising and falling edges of PDWSTB or SDWSTB. <b>Primary and Secondary Disk DMA Ready (Ultra DMA Reads from Disk):</b> This is the DMA ready for reads from disk. When reading from disk, 82801E C-ICH deasserts PRDMARDY# or SRDMARDY# to pause burst data transfers.
<b>PDIOW#</b> <b>/(PDSTOP)</b> <b>SDIOW#</b> <b>/(SDSTOP)</b>	O	<b>Primary and Secondary Disk I/O Write (PIO and Non-Ultra DMA):</b> This is the command to the IDE device that it may latch data from the PDD or SDD lines. Data is latched by the IDE device on the deassertion edge of PDIOW# or SDIOW#. The IDE device is selected either by the ATA register file chip selects (PDCS1# or SDCS1#, PDCS3# or SDCS3#) and the PDA or SDA lines, or the IDE DMA acknowledge (PDDAK# or SDDAK#). <b>Primary and Secondary Disk Stop (Ultra DMA):</b> 82801E C-ICH asserts this signal (PDSTOP, SDSTOP) to terminate a burst.
<b>PIORDY</b> <b>/(PDRSTB</b> <b>/PDMARDY#)</b> <b>SIORDY</b> <b>/(SDRSTB</b> <b>/SDMARDY#)</b>	I	<b>Primary and Secondary I/O Channel Ready (PIO):</b> This signal keeps the strobe active (PDIOR# or SDIOR# on reads, PDIOW# or SDIOW# on writes) longer than the minimum width. It adds wait states to PIO transfers. <b>Primary and Secondary Disk Read Strobe (Ultra DMA Reads from Disk):</b> When reading from disk, 82801E C-ICH latches data on rising and falling edges of this signal from the disk. <b>Primary and Secondary Disk DMA Ready (Ultra DMA Writes to Disk):</b> When writing to disk, this is deasserted by the disk to pause burst data transfers.



### 3.2.7 LPC Interface

**Table 13. LPC Interface Signals**

Name	Type	Description
LAD[3:0] /FWH[3:0]	I/O	<b>LPC Multiplexed Command, Address, Data:</b> Internal pull-ups are provided.
LFRAME# /FWH[4]	O	<b>LPC Frame:</b> LFRAME# indicates the start of an LPC cycle, or an abort.
LDRQ[1:0]#	I	<b>LPC Serial DMA/Master Request Inputs:</b> These signals are used to request DMA or bus master access. Typically, they are connected to external Super I/O device. An internal pull-up resistor is provided on these signals.

### 3.2.8 Interrupt Interface

**Table 14. Interrupt Signals**

Name	Type	Description
SERIRQ	I/O	<b>Serial Interrupt Request:</b> This pin implements the serial interrupt protocol.
PIRQ[A:D]#	I/OD	<b>PCI Interrupt Requests:</b> In Non-APIC Mode the PIRQx# signals can be routed to interrupts 3:7, 9:12, 14, or 15 as described in the Interrupt Steering section. Each PIRQx# line has a separate Route Control Register. In APIC mode, these signals are connected to the internal I/O APIC in the following fashion: PIRQ[A]# is connected to IRQ16, PIRQ[B]# to IRQ17, PIRQ[C]# to IRQ18, and PIRQ[D]# to IRQ19. This frees the ISA interrupts.
PIRQ[E:F]# PIRQ[G]#/GPIO[4] PIRQ[H]#/GPIO[5]	I/OD	<b>PCI Interrupt Requests:</b> In Non-APIC Mode the PIRQx# signals can be routed to interrupts 3:7, 9:12, 14 or 15 as described in the Interrupt Steering section. Each PIRQx# line has a separate Route Control Register. In APIC mode, these signals are connected to the internal I/O APIC in the following fashion: PIRQ[E]# is connected to IRQ20, PIRQ[F]# to IRQ21, PIRQ[G]# to IRQ22, and PIRQ[H]# to IRQ23. This frees the ISA interrupts. If not needed for interrupts, PIRQ[H:G] can be used as GPIO.
IRQ[14:15]	I	<b>Interrupt Request 14:15:</b> These interrupt inputs are connected to the IDE drives. IRQ14 is used by the drives connected to the primary controller and IRQ15 is used by the drives connected to the secondary controller.
APICCLK	I	<b>APIC Clock:</b> The APIC clock runs at 33.333 MHz.
APICD[1:0]	I/OD	<b>APIC Data:</b> These bidirectional open drain signals are used to send and receive data over the APIC bus. As inputs, the data is valid on the rising edge of APICCLK. As outputs, new data is driven from the rising edge of the APICCLK.

### 3.2.9 USB Interface

Table 15. USB Interface Signals

Name	Type	Description
USBP0P USBP0N USBP1P USBP1N	I/O	<b>Universal Serial Bus Port 1:0 Differential:</b> These differential pairs are used to transmit Data/Address/Command signals for ports 0 and 1.
OC[1:0]#	I	<b>Overcurrent Indicators:</b> These signals set corresponding bits in the USB controllers to indicate that an overcurrent condition has occurred.

### 3.2.10 Power Signals

Table 16. Power Signals

Name	Type	Description
PWROK	I	<b>Power OK:</b> When asserted, PWROK is an indication to the 82801E C-ICH that core power and PCICLK have been stable for at least 1 ms. PWROK can be driven asynchronously. When PWROK is negated, the 82801E C-ICH asserts PCIRST#.
RSM_PWROK	I	<b>Resume Well Power OK:</b> When asserted, this signal is an indication to the 82801E C-ICH that the resume well power has been stable for at least 10 ms. <b>NOTE:</b> The 82801E C-ICH does not use the resume well power OK signal.
RSMRST#	I	<b>Resume Well Reset:</b> RSMRST# is used for resetting the resume power plane logic. <b>NOTE:</b> The 82801E C-ICH does not use the resume well reset signal.
VRMPWRGD	I	<b>VRM Power Good:</b> VRMPWRGD should be connected to be the processor's VRM Power Good.

### 3.2.11 Processor Interface

**Table 17. Processor Interface Signals (Sheet 1 of 2)**

Name	Type	Description
A20M#	O	<p><b>Mask A20:</b> A20M# goes active based on setting the appropriate bit in the Port 92h register, or based on the A20GATE signal.</p> <p><b>Speed Strap:</b> During the reset sequence, 82801E C-ICH drives A20M# high if the corresponding bit is set in the FREQ_STRP register.</p>
CPUSLP#	O	<p><b>Processor Sleep:</b> This signal puts the processor into a state that saves substantial power compared to Stop-Grant state. However, during that time, no snoops occur. The 82801E C-ICH can optionally assert the CPUSLP# signal when going to the S1 state.</p> <p><b>NOTE:</b> The 82801E C-ICH does not support Sleep states. This signal must be pulled up through an 8.2 KΩ resistor to 3.3 V.</p>
FERR#	I	<p><b>Numeric Coprocessor Error:</b> This signal is tied to the coprocessor error signal on the processor. FERR# is only used if the 82801E C-ICH coprocessor error reporting function is enabled in the General Control Register (Device 31:Function 0, Offset D0, bit 13). If FERR# is asserted, the 82801E C-ICH generates an internal IRQ13 to its interrupt controller unit. It is also used to gate the IGNNE# signal to ensure that IGNNE# is not asserted to the processor unless FERR# is active. FERR# requires an external weak pull-up to ensure a high level when the coprocessor error function is disabled.</p>
IGNNE#	O	<p><b>Ignore Numeric Error:</b> This signal is connected to the ignore error pin on the processor. IGNNE# is only used if the 82801E C-ICH coprocessor error reporting function is enabled in the General Control Register (Device 31:Function 0, Offset D0, bit 13). If FERR# is active, indicating a coprocessor error, a write to the Coprocessor Error Register (F0h) causes the IGNNE# to be asserted. IGNNE# remains asserted until FERR# is negated. If FERR# is not asserted when the Coprocessor Error Register is written, the IGNNE# signal is not asserted.</p> <p><b>Speed Strap:</b> During the reset sequence, 82801E C-ICH drives IGNNE# high if the corresponding bit is set in the FREQ_STRP register.</p>
INIT#	O	<p><b>Initialization:</b> INIT# is asserted by the 82801E C-ICH for 16 PCI clocks to reset the processor. 82801E C-ICH can be configured to support processor BIST. In that case, INIT# will be active when PCIRST# is active.</p>
INTR	O	<p><b>Processor Interrupt:</b> INTR is asserted by the 82801E C-ICH to signal the processor that an interrupt request is pending and needs to be serviced. It is an asynchronous output and normally driven low.</p> <p><b>Speed Strap:</b> During the reset sequence, 82801E C-ICH drives INTR high if the corresponding bit is set in the FREQ_STRP register.</p>
NMI	O	<p><b>Non-Maskable Interrupt:</b> NMI is used to force a non-maskable interrupt to the processor. The 82801E C-ICH can generate an NMI when either SERR# or IOCHK# is asserted. The processor detects an NMI when it detects a rising edge on NMI. NMI is reset by setting the corresponding NMI source enable/disable bit in the NMI Status and Control Register.</p> <p><b>Speed Strap:</b> During the reset sequence, 82801E C-ICH drives NMI high if the corresponding bit is set in the FREQ_STRP register.</p>
SMI#	O	<p><b>System Management Interrupt:</b> SMI# is an active low output synchronous to PCICLK. It is asserted by the 82801E C-ICH in response to one of many enabled hardware or software events.</p>
STPCLK#	O	<p><b>Stop Clock Request:</b> STPCLK# is an active low output synchronous to PCICLK. It is asserted by the 82801E C-ICH in response to one of many hardware or software events. When the processor samples STPCLK# asserted, it responds by stopping its internal clock.</p>

Table 17. Processor Interface Signals (Sheet 2 of 2)

Name	Type	Description
RCIN#	I	<b>Keyboard Controller Reset Processor:</b> The keyboard controller can generate INIT# to the processor. This saves the external OR gate with the 82801E C-ICH's other sources of INIT#. When the 82801E C-ICH detects the assertion of this signal, INIT# is generated for 16 PCI clocks.
A20GATE	I	<b>A20 Gate:</b> This signal is from the keyboard controller. It acts as an alternative method to force the A20M# signal active. A20GATE saves the external OR gate needed with various other PCIsets.
CPUPWRGD	OD	<b>Processor Power Good:</b> This signal should be connected to the processor's PWRGOOD input. This is an open-drain output signal (external pull-up resistor required) that represents a logical AND of the 82801E C-ICH's PWROK and VRMPWRGD signals.

### 3.2.12 SMBus Interface

Table 18. SMBus Interface Signals

Name	Type	Description
SMBDATA	I/OD	<b>SMBus Data:</b> External pull-up is required.
SMBCLK	I/OD	<b>SMBus Clock:</b> External pull-up is required.
SMBALERT# /GPIO[11]	I	<b>SMBus Alert:</b> This signal is used to wake the system or generate an SMI#. If not used for SMBALERT#, it can be used as a GPI.

### 3.2.13 System Management Interface

Table 19. System Management Interface Signals

Name	Type	Description
INTRUDER#	I	<b>Intruder Detect:</b> This signal can be set to disable system if box detected open. This signal's status is readable, so it can be used like a GPI if the Intruder Detection is not needed.
SMLINK[1:0]	I/OD	<b>System Management Link:</b> These signals are an SMBus link to an optional external system management ASIC or LAN controller. External pull-ups are required. <b>NOTE:</b> SMLINK[0] corresponds to an SMBus Clock signal and SMLINK[1] corresponds to an SMBus Data signal.

### 3.2.14 Real Time Clock Interface

Table 20. Real Time Clock Interface

Name	Type	Description
RTCX1	Special	<b>Crystal Input 1:</b> This signal is connected to the 32.768 KHz crystal. If no external crystal is used, then RTCX1 can be driven with the desired clock rate.
RTCX2	Special	<b>Crystal Input 2:</b> This signal is connected to the 32.768 KHz crystal. If no external crystal is used, then RTCX2 should be left floating.

### 3.2.15 Other Clocks

Table 21. Other Clocks

Name	Type	Description
CLK14	I	<b>Oscillator Clock:</b> CLK14 is used for 8254 timers and runs at 14.31818 MHz.
CLK48	I	<b>48 MHz Clock:</b> CLK48 is used to for the USB controller and runs at 48 MHz.
CLK66 (HLCLK)	I	<b>66 MHz Clock (HLCLK):</b> CLK66 is used for the hub interface and runs at 66 MHz.

### 3.2.16 Universal Asynchronous Receive and Transmit (UART 0,1)

Table 22. Universal Asynchronous Receive And Transmit (UART 0, 1) (Sheet 1 of 2)

Signal Name	Type	Description
UART_CLK	I	Input clock to the SIU. This clock is passed to the baud clock generation logic of each UART in the SIU.
SIU0_CTS# SIU1_CTS#	I	<b>Clear to Send:</b> Active low, this pin indicates that data can be exchanged between CICH and external interface. These pins have no effect on the transmitter. <b>NOTE:</b> These pins could be used as Modem Status Inputs whose condition can be tested by the processor by reading bit 4 (CTS) of the Modem Status register (MSR). Bit 4 is the complement of the CTS# signal. Bit 0 (DCTS) of the MSR indicates whether the CTS# input has changed state since the previous reading of the MSR. When the CTS bit of the MSR changes state an interrupt is generated if the Modem Status Interrupt is enabled.
SIU0_DCD# SIU1_DCD#	I	<b>Data Carrier Detect for UART0 and UART1:</b> Active low, this pin indicates that data carrier has been detected by the external agent. <b>NOTE:</b> These pins are Modem Status Inputs whose condition can be tested by the processor by reading bit 7 (DCD) of the Modem Status register (MSR). Bit 7 is the complement of the DCD# signal. Bit 3 (DDCD) of the MSR indicates whether the DCD# input has changed state since the previous reading of the MSR. When the DCD bit of the MSR changes state an interrupt is generated if the Modem Status Interrupt is enabled.
SIU0_DSR# SIU1_DSR#	I	<b>Data Set Ready for UART0 and UART1:</b> Active low, this pin indicates that the external agent is ready to communicate with 82801E C-ICH UARTs. These pins have no effect on the transmitter. <b>NOTE:</b> These pins could be used as Modem Status Input whose condition can be tested by the processor by reading bit 5 (DSR) of the Modem Status register. Bit 5 is the complement of the DSR# signal. Bit 1 (DDSR) of the Modem status register (MSR) indicates whether the DSR# input has changed state since the previous reading of the MSR. When the DSR bit of the MSR changes state an interrupt is generated if the Modem Status Interrupt is enabled.
SIU0_DTR# SIU1_DTR#	O	<b>Data Terminal Ready for UART0 and UART1:</b> When low these pins informs the modem or data set that 82801E C-ICH UART0 and UART1 are ready to establish a communication link. The DTR#x(x=0,1) output signals can be set to an active low by programming the DTRx (x=0,1) (bit0) of the Modem control register to a logic '1'. A Reset operation sets this signal to its inactive state (logic '1'). LOOP mode operation holds this signal in its inactive state.

Table 22. Universal Asynchronous Receive And Transmit (UART 0, 1) (Sheet 2 of 2)

Signal Name	Type	Description
SIU0_RI# SIU1_RI#	I	<b>Ring Indicator for UART0 and UART1:</b> Active low, this pin indicates that a telephone ringing signal has been received by the external agent. <b>NOTE:</b> These pins are Modem Status Input whose condition can be tested by the processor by reading bit 6 (RI) of the Modem Status register (MSR). Bit 6 is the complement of the RI# signal. Bit 2 (TERI) of the MSR indicates whether the DCD# input has changed state since the previous reading of the MSR. When the RI bit of the MSR changes state an interrupt is generated if the Modem Status Interrupt is enabled.
SIU0_RTS# SIU1_RTS#	O	<b>Request to Send for UART0 and UART1:</b> When low these pins informs the modem or data set that 82801E C-ICH UART0 and UART1 are ready to establish a communication link. The RTS# <sub>x</sub> (x=0,1) output signals can be set to an active low by programming the RTS <sub>x</sub> (x=0,1) (bit1) of the Modem control register to a logic '1'. A Reset operation sets this signal to its inactive state (logic '1'). LOOP mode operation holds this signal in its inactive state.
SIU0_RXD SIU1_RXD	I	<b>Serial Inputs for UART0 and UART1:</b> Serial data input from device pin to the receive port.
SIU0_TXD SIU1_TXD	O	<b>Serial Output for UART0 and UART1:</b> Serial data output to the communication peripheral/modem or data set. Upon reset, the TXD pins will be set to MARKING condition (logic '1' state).

### 3.2.17 SIU LPC Interface

Table 23. SIU Interface

Signal Name	Type	Description
SIU_LAD[3:0]	I/O	<b>SIU LPC Multiplexed Command, Address, Data:</b> Internal pull-ups are provided.
SIU_LCLK	I	<b>SIU LPC clock input to SIU:</b> 33 MHz LPC clock.
SIU_LDRQ#	O	<b>SIU LPC Serial DMA/Master Request Output:</b> Used by SIU devices to indicate a DMA request. <b>NOTE:</b> These signals have weak internal pull-up resistors to avoid external glue.
SIU_LFRAME#	I	<b>SIU LPC Frame:</b> Indicates the start of an LPC cycle, or an abort.
SIU_RESET#	I	<b>SIU RESET:</b> This signal should be tied to PCI RESET.
SIU_SERIRQ	I/O	<b>SIU Serial IRQ input:</b> This pin receives the serial interrupt protocol from external devices. Pull up if unused.

### 3.2.18 Miscellaneous Signals

**Table 24. Miscellaneous Signals**

Name	Type	Description
HL[11]	I	No pull-up required. Use a no-stuff or a test point for NAND tree testing.
RTCST#	I	<b>RTC Reset:</b> When asserted, this signal resets register bits in the RTC well and sets the RTC_PWR_STS bit (bit 2 in GEN_PMCN3 register). This signal is also used to enter the test modes documented in "Test Signals" on page 49. <b>NOTE:</b> Clearing CMOS in an 82801E C-ICH-based platform can be done by using a jumper on RTCST# or GPI, or using SAFEMODE strap. Implementations should not attempt to clear CMOS by using a jumper to pull VccRTC low.
SPKR	O	<b>Speaker:</b> The SPKR signal is the output of counter 2 and is internally ANDed with Port 61h bit 1 to provide Speaker Data Enable. This signal drives an external speaker driver device, which in turn drives the system speaker. Upon PCIRST#, its output state is 1. <b>NOTE:</b> SPKR is sampled at the rising edge of PWROK as a functional strap. See "Functional Straps" on page 49 for more details.
TP0	I	<b>Test Point 0:</b> This signal must have an external pull-up to Vcc3_3.
THRM#	I	<b>Thermal Alarm:</b> THRM# is an active low signal generated by external hardware to start the hardware clock throttling mode. This signal can also generate an SMI# or an SCI.
RI#	I	<b>Ring Indicate:</b> From the modem interface. This signal can be enabled as a wake event; this is preserved across power failures.
RESERVED1 RESERVED2	—	This signal must have an external pull up to Vcc3_3.
SUSCLK	O	<b>Suspend Clock:</b> This signal is an output of the RTC generator circuit and is used by other chips for the refresh clock.
TP1	I	<b>Test Point 1:</b> Route to a test point with option to jumper to Vcc1_8. Used for NAND tree testing. Otherwise jumper to Vcc1_8.
TP2	I	<b>Test Point 2:</b> Route to a test point with option to jumper to V <sub>SS</sub> . Used for NAND tree testing. Otherwise jumper to V <sub>SS</sub> .
TP3	I	<b>Test Point 3:</b> Route to a test point with option to jumper to V <sub>SS</sub> . Used for NAND tree testing. Otherwise jumper to V <sub>SS</sub> .

### 3.2.19 General Purpose I/O

**Table 25. General Purpose I/O Signals (Sheet 1 of 2)**

Name	Type	Description
GPIO[31:29]	O	Not implemented.
GPIO[28:27]	I/O	Can be input or output. Main power well. Unmuxed.
GPIO[26]	I/O	Not implemented.
GPIO[25]	I/O	Can be input or output. Main power well. Not Muxed.
GPIO[24]	I/O	Can be input or output. Main power well.
GPIO[23]	O	Fixed as Output only. Main power well.
GPIO[22]	OD	Fixed as Output only. Main power well. Open-drain output.

Table 25. General Purpose I/O Signals (Sheet 2 of 2)

Name	Type	Description
<b>GPIO[21]</b>	O	Fixed as Output only. Main power well.
<b>GPIO[20:18]</b>	O	Fixed as Output only. Main power well.
<b>GPIO[17:16]</b>	O	Fixed as Output only. Main Power Well. Can instead be used for PC/PCI GNT[A:B]#. GPIO[17] can also alternatively be used for PCI GNT[5]#. Integrated pull-up resistor.
<b>GPIO[15:14]</b>	I	Not implemented.
<b>GPIO[13:12]</b>	I	Fixed as Input only. Main Power Well. Not muxed.
<b>GPIO[11]</b>	I	Fixed as Input only. Main Power Well. Can instead be used for SMBALERT#.
<b>GPIO[10:9]</b>	I	Not implemented.
<b>GPIO[8]</b>	I	Fixed as Input only. Main Power Well. Not muxed.
<b>GPIO[7]</b>	I	Fixed as Input only. Main power well. Not muxed.
<b>GPIO[6]</b>	I	Fixed as Input only. Main power well.
<b>GPIO[5:4]</b>	I	Fixed as Input only. Main power well. Can be used instead as PIRQ[G:H]#.
<b>GPIO[3:2]</b>		Reserved.
<b>GPIO[1:0]</b>	I	Fixed as Input only. Main Power Well. Can instead be used for PC/PCI REQ[A:B]#. GPIO[1] can also alternatively be used for PCI REQ[5]#.

### 3.2.20 Power and Ground

Table 26. Power and Ground Signals

Name	Description
<b>HUBREF</b>	0.9 V reference for the hub interface.
<b>V5REF</b>	Reference for 5 V tolerance on Core well inputs.
<b>VBIAS</b>	RTC well bias voltage. The DC reference voltage applied to this pin sets a current that is mirrored throughout the oscillator and buffer circuitry. See “External RTC Circuitry” on page 50.
<b>Vcc1_8</b>	1.8 V supply for Core well logic.
<b>Vcc3_3</b>	3.3 V supply for Core well I/O buffers.
<b>VccRTC</b>	3.3 V (can drop to 2.0 V min. in G3 state) supply for the RTC well. This power is not expected to be shut off unless the RTC battery is removed or completely drained. <b>NOTE:</b> Implementations should not attempt to clear CMOS by using a jumper to pull VccRTC low. Clearing CMOS in an 82801E C-ICH-based platform can be done by using a jumper on RTCRST# or GPI, or using SAFEMODE strap.
<b>V_CPU_IO</b>	Powered by the same supply as the processor I/O voltage. This supply is used to drive the processor interface outputs.
<b>Vss</b>	Ground.



## 3.3 Pin Straps

### 3.3.1 Functional Straps

The following signals are used for static configuration. They are sampled at the rising edge of PWROK to select configurations and then revert later to their normal usage. To invoke the associated mode, the signal should be driven at least four PCI clocks prior to the time it is sampled.

**Table 27. Functional Strap Definitions**

Signal	Usage	When Sampled	Comment
EE0_DOUT, EE1_DOUT	Reserved		System designers should include a placeholder for a pull-down resistor on EE <sub>n</sub> _DOUT but <i>do not populate the resistor</i> .
GNT[A]#	Top-Swap Override	Rising Edge of PWROK	The signal has a weak internal pull-up. If the signal is sampled low, the system is strapped to the “Top-Swap” mode (82801E C-ICH will invert A16 for all cycles targeting FWH BIOS space). The status of this strap is readable via the Top-Swap bit (bit 13, D31: F0, Offset D4h). Note that software will not be able to clear the Top-Swap bit until the system is rebooted without GNT[A]# being pulled down.
HLCOMP	Enhanced Hub Interface Mode	During PCIRST# assertion	If this signal is sampled high (via an external pull-up to VCC1_8), the normal hub interface buffer mode will be selected. If this signal is sampled low (via an external pull-down), the enhanced hub interface buffer mode will be selected. See the specific platform design guide for resistor values and routing guidelines for each hub interface mode.
SPKR	No Reboot	Rising Edge of PWROK	The signal has a weak internal pull-up. If the signal is sampled low, the system is strapped to the “No Reboot” mode (82801E C-ICH will disable the TCO Timer system reboot feature). The status of this strap is readable via the NO_REBOOT bit (bit 1, D31: F0, Offset D4h).

### 3.3.2 Test Signals

#### 3.3.2.1 Test Mode Selection

When PWROK is active (high), driving RTCRST# low for a number of PCI clocks (33 MHz) will activate a particular test mode as specified in Table 28.

**Note:** RTCRST# may be driven low any time after PCIRST is inactive. Refer to “Testability” on page 77 for a detailed description of the 82801E C-ICH test modes.

**Table 28. Test Mode Selection**

Number of PCI Clocks RTCRST# driven low after PWROK active	Test Mode
<4	No Test Mode Selected
4	XOR Chain 1
5	XOR Chain 2
6	XOR Chain 3
7	XOR Chain 4

Table 28. Test Mode Selection

Number of PCI Clocks RTCRST# driven low after PWROK active	Test Mode
8	All "Z"
9–24	Reserved. DO NOT ATTEMPT
>24	No Test Mode Selected

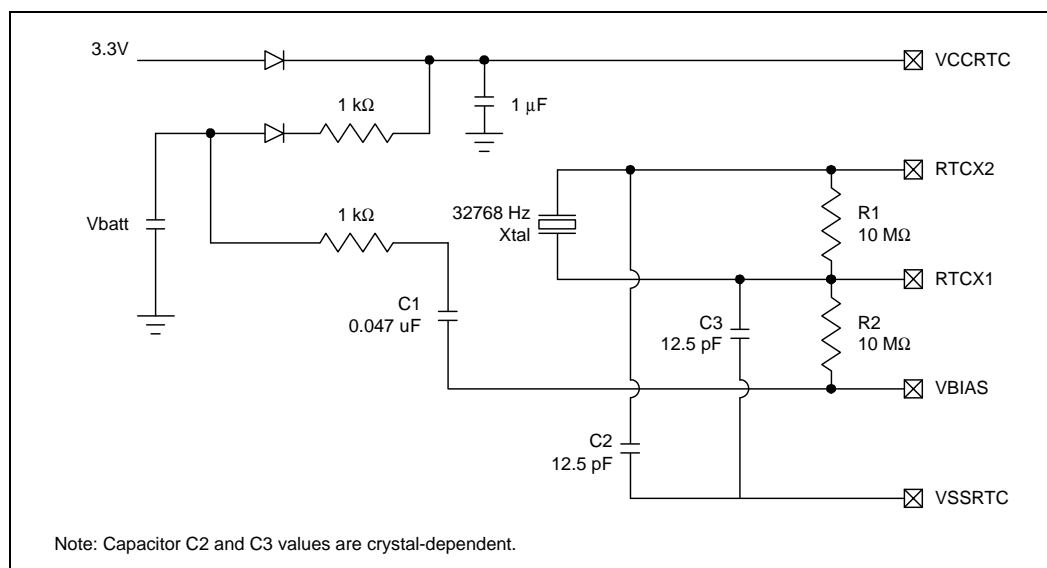
### 3.3.2.2 Test Straps

- The 82801E C-ICH's TP[0] (Test Point) signal must be pulled to Vcc3\_3 with an external pull-up resistor.
- The 82801E C-ICH's TP[1] must be routed to a test point with an option to jumper to Vcc1\_8. This test point is used for NAND tree testing. Otherwise jumper to Vcc1\_8.
- The 82801E C-ICH's TP[2] must be routed to a test point with an option to jumper to V<sub>SS</sub>. This test point is used for NAND tree testing. Otherwise jumper to V<sub>SS</sub>.
- The 82801E C-ICH's TP[3] must be routed to a test point with an option to jumper to V<sub>SS</sub>. This test point is used for NAND tree testing. Otherwise jumper to V<sub>SS</sub>.

### 3.3.3 External RTC Circuitry

To reduce RTC well power consumption, the 82801E C-ICH implements an internal oscillator circuit that is sensitive to step voltage changes in VccRTC and VBIAS. Figure 7 shows a schematic diagram of the circuitry required to condition these voltages to ensure correct operation of the 82801E C-ICH RTC.

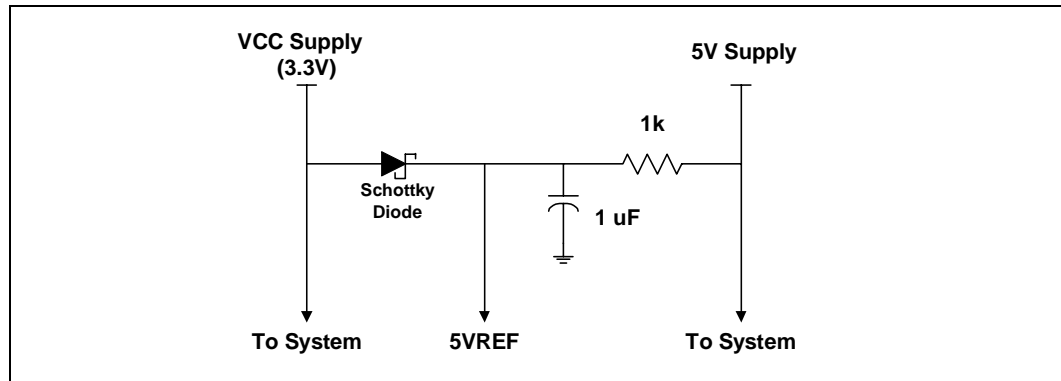
Figure 7. Required External RTC Circuit



### 3.3.4 V5REF/Vcc3\_3 Sequencing Requirements

V5REF is the reference voltage for 5 V tolerance on inputs to the 82801E C-ICH. V5REF must power up before or simultaneous to Vcc3\_3, and must power down after or simultaneous to Vcc3\_3. Refer to Figure 8 for an example circuit schematic that may be used to ensure proper V5REF sequencing.

Figure 8. Example V5REF Sequencing Circuit



## 3.4 Power Planes and Pin States

### 3.4.1 Power Planes

Table 29. 82801E C-ICH Power Planes

Plane	Description
Main I/O (3.3 V)	<b>Vcc3_3:</b> Powered by the main power supply.
Main Logic (1.8 V)	<b>Vcc1_8:</b> Powered by the main power supply.
Processor Interface (1.3 ~ 2.5 V)	<b>V_CPU_IO:</b> Powered by the main power supply via processor voltage regulator.
RTC	<b>VccRTC:</b> When other power is available (from the main supply), external diode coupling will provide power to reduce the drain on the RTC battery. Assumed to operate from 3.3 V down to 2.0 V.

### 3.4.2 Integrated Pull-Ups and Pull-Downs

**Table 30. Integrated Pull-Up and Pull-Down Resistors**

Signal	Resistor Type	Nominal Value	Notes
EE0_DIN, EE1_DIN	pull-up	24 K $\Omega$	1
EE0_DOUT, EE1_DOUT	pull-up	24 K $\Omega$	1
GNT[A:B]#/GNT[5]#/GPIO[17:16]	pull-up	24 K $\Omega$	1
LAD[3:0]#/FWH[3:0]#	pull-up	24 K $\Omega$	1
LDRQ[1:0]	pull-up	24 K $\Omega$	1
SPKR	pull-up	24 K $\Omega$	1, 4
LAN0_RXD[2:0], LAN1_RXD[2:0]	pull-up	9 K $\Omega$	2
PDD[7]/SDD[7]	pull-down	5.9 K $\Omega$	3
PDDREQ/SDDREQ	pull-down	5.9 K $\Omega$	3

**NOTES:**

1. Simulation data shows that these resistor values can range from 18 K $\Omega$  to 42 K $\Omega$ .
2. Simulation data shows that these resistor values can range from 6 K $\Omega$  to 14 K $\Omega$ .
3. Simulation data shows that these resistor values can range from 4.3 K $\Omega$  to 20 K $\Omega$ .
4. The pull-up or pull-down on this signal is only enabled at boot/reset for strapping function.

### 3.4.3 IDE Integrated Series Termination Resistors

Table 31 shows the 82801E C-ICH IDE signals that have integrated series termination resistors.

**Table 31. IDE Series Termination Resistors**

Signal	Integrated Series Termination Resistor Value
PDD[15:0], SDD[15:0], PDIOW#, SDIOW#, PDIOR#, PDIOW#, PDREQ, SDREQ, PDDACK#, SDDACK#, PIORDY, SIORDY, PDA[2:0], SDA[2:0], PDCS1#, SDCS1#, PDCS3#, SDCS3#, IRQ14, IRQ15	approximately 33 $\Omega$ (See Note)

**NOTE:** Simulation data indicates that the integrated series termination resistors are a nominal 33  $\Omega$  but can range from 31  $\Omega$  to 43  $\Omega$ .

### 3.4.4 Output and I/O Signals Planes and States

Table 32 shows the power plane associated with the output and I/O signals, as well as the state at various times. Within the table, the following terms are used:

“High-Z”	Tri-state. 82801E C-ICH not driving the signal high or low.
“High”	The 82801E C-ICH is driving the signal to a logic ‘1’.
“Low”	The 82801E C-ICH is driving the signal to a logic ‘0’.
“Defined”	The signal is driven to a level that is defined by the function (will be high or low).
“Undefined”	The 82801E C-ICH is driving the signal, but the value is indeterminate.
“Running”	The clock is toggling or signal is transitioning because function not stopping.
“Off”	The power plane is off; the 82801E C-ICH is not driving.

**Table 32. Power Plane and States for Output and I/O Signals (Sheet 1 of 3)**

Signal Name	Power Plane	Reset Signal	During Reset	Immediately after Reset
<b>PCI Bus</b>				
AD[31:0]	Main I/O	PCIRST#	High-Z	Undefined
C/BE#[3:0]	Main I/O	PCIRST#	High-Z	Undefined
DEVSEL#	Main I/O	PCIRST#	High-Z	High-Z
FRAME#	Main I/O	PCIRST#	High-Z	High-Z
GNT[3:0]#, GNT[5]#	Main I/O	PCIRST#	High	High
GNT[A:B]#	Main I/O	PCIRST#	High-Z	High
IRDY#, TRDY#	Main I/O	PCIRST#	High-Z	High-Z
PAR	Main I/O	PCIRST#	High-Z	Undefined
PCIRST#	Main I/O	RSMRST#	Low	High
PERR#	Main I/O	PCIRST#	High-Z	High-Z
PLOCK#	Main I/O	PCIRST#	High-Z	High-Z
STOP#	Main I/O	PCIRST#	High-Z	High-Z
<b>LPC Interface</b>				
LAD[3:0]	Main I/O	PCIRST#	High	High
LFRAME#	Main I/O	PCIRST#	High	High
<b>LAN Connect and EEPROM Interface</b>				
EE0_CS, EE1_CS	LAN I/O	RSM_PWROK	Low	Running

**NOTES:**

1. The 82801E C-ICH sets these signals at reset for processor frequency strap.
2. I GPIO[18] will toggle at a frequency of approximately 1 Hz when the 82801E C-ICH comes out of reset
3. CPUPWRGD is an open-drain output that represents a logical AND of the VRMPWRGD and PWROK signals and, thus, are driven low by 82801E C-ICH when either VRMPWRGD or PWROK are inactive. During boot, or during a hard reset with power cycling, CPUPWRGD will be expected to transition from low to High-Z.
4. GPIO[24:25, 27:28]: These signals remain tri-stated for up to 110 ms after RSMRST# deassertion. At this point, they will be driven to their default (High) state.

Table 32. Power Plane and States for Output and I/O Signals (Sheet 2 of 3)

Signal Name	Power Plane	Reset Signal	During Reset	Immediately after Reset
EE0_DOUT, EE1_DOUT	LAN I/O	RSM_PWROK	High	Running
EE0_SHCLK, EE1_SHCLK	LAN I/O	RSM_PWROK	Low	Running
LAN0_RSTSYNC, LAN1_RSTSYNC	LAN I/O	RSM_PWROK	High	Defined
LAN0_TXD[2:0], LAN1_TXD[2:0]	LAN I/O	RSM_PWROK	Low	Defined
<b>IDE Interface</b>				
PDA[2:0], SDA[2:0]	Main I/O	PCIRST#	Low	Undefined
PDCS1#, PDCS3#	Main I/O	PCIRST#	High	High
PDD[15:0], SDD[15:0]	Main I/O	PCIRST#	High-Z	High-Z
PDDACK#, SDDACK#	Main I/O	PCIRST#	High	High
PDIOR#, PDIOW#	Main I/O	PCIRST#	High	High
SDCS1#, SDCS3#	Main I/O	PCIRST#	High	High
SDIOR#, SDIOW#	Main I/O	PCIRST#	High	High
<b>Interrupts</b>				
PIRQ[A:H]#	Main I/O	PCIRST#	High-Z	High-Z
SERIRQ	Main I/O	PCIRST#	High-Z	High-Z
APICD[1:0]	Main I/O	PCIRST#	High-Z	High-Z
<b>USB Interface</b>				
USBP0P, USBP0N, USBP1P, USBP1N	Main I/O	RSMRST#	High-Z	High-Z
<b>Processor Interface</b>				
A20M#	CPU I/O	PCIRST#	See Note 1	High
CPUPWRGD	Main I/O	PCIRST#	See Note 3	High-Z
CPUSLP#	CPU I/O	PCIRST#	High	High
IGNNE#	CPU I/O	PCIRST#	See Note 1	High
INIT#	CPU I/O	PCIRST#	High	High
INTR	CPU I/O	PCIRST#	See Note 1	Low
NMI	CPU I/O	PCIRST#	See Note 1	Low
SMI#	CPU I/O	PCIRST#	High	High

**NOTES:**

- The 82801E C-ICH sets these signals at reset for processor frequency strap.
- I GPIO[18] will toggle at a frequency of approximately 1 Hz when the 82801E C-ICH comes out of reset
- CPUPWRGD is an open-drain output that represents a logical AND of the VRMPWRGD and PWROK signals and, thus, are driven low by 82801E C-ICH when either VRMPWRGD or PWROK are inactive. During boot, or during a hard reset with power cycling, CPUPWRGD will be expected to transition from low to High-Z.
- GPIO[24:25, 27:28]: These signals remain tri-stated for up to 110 ms after RSMRST# deassertion. At this point, they will be driven to their default (High) state.

**Table 32. Power Plane and States for Output and I/O Signals (Sheet 3 of 3)**

Signal Name	Power Plane	Reset Signal	During Reset	Immediately after Reset
STPCLK#	CPU I/O	PCIRST#	High	High
<b>SMBus Interface</b>				
SMBCLK, SMBDATA	Main I/O	RSMRST#	High-Z	High-Z
<b>System Management Interface</b>				
SMLINK[1:0]	Main I/O	RSMRST#	High-Z	High-Z
<b>Miscellaneous Signals</b>				
SPKR	Main I/O	PCIRST#	High-Z with internal pull-up	Low
SUSCLK	Main I/O	RSMRST#	Running	
<b>Unmuxed GPIO Signals</b>				
GPIO[18]	Main I/O	PCIRST#	High	See Note 2
GPIO[19:20]	Main I/O	PCIRST#	High	High
GPIO[21]	Main I/O	PCIRST#	High	High
GPIO[22]	Main I/O	PCIRST#	High-Z	High-Z
GPIO[23]	Main I/O	PCIRST#	Low	Low
GPIO[24]	Main I/O	RSMRST#	High-Z	High
GPIO[25]	Main I/O	RSMRST#	High-Z	High
GPIO[27:28]	Main I/O	RSMRST#	High-Z	High

**NOTES:**

1. The 82801E C-ICH sets these signals at reset for processor frequency strap.
2. I GPIO[18] will toggle at a frequency of approximately 1 Hz when the 82801E C-ICH comes out of reset
3. CPUPWRGD is an open-drain output that represents a logical AND of the VRMPWRGD and PWROK signals and, thus, are driven low by 82801E C-ICH when either VRMPWRGD or PWROK are inactive. During boot, or during a hard reset with power cycling, CPUPWRGD will be expected to transition from low to High-Z.
4. GPIO[24:25, 27:28]: These signals remain tri-stated for up to 110 ms after RSMRST# deassertion. At this point, they will be driven to their default (High) state.

### 3.4.5 Power Planes for Input Signals

Table 33 shows the power plane associated with each input signal, as well as what device drives the signal at various times. Valid states include:

- High
- Low
- Static: Will be high or low, but will not change
- Driven: Will be high or low, and is allowed to change
- Running: For input clocks

Table 33. Power Plane for Input Signals

Signal Name	Power Well	Driver During Reset
A20GATE	Main I/O	External Microcontroller
APICCLK	Main I/O	Clock Generator
CLK14	Main I/O	Clock Generator
CLK48	Main I/O	Clock Generator
CLK66	Main Logic	Clock Generator
EE0_DIN, EE1_DIN	LAN I/O	EEPROM component
FERR#	Main I/O	CPU
INTRUDER#	RTC	External Switch
IRQ[15:14]	Main I/O	IDE
LAN0_CLK, LAN1_CLK	LAN I/O	LAN Connect component
RSM_PWROK	Main I/O	External RC Circuit
LAN0_RXD[2:0], LAN1_RXD[2:0]	LAN I/O	LAN Connect component
LDRQ[0]#	Main I/O	LPC Devices
LDRQ[1]#	Main I/O	LPC Devices
OC[1:0]#	Main I/O	External Pull-Ups
PCICLK	Main I/O	Clock Generator
PDDREQ	Main I/O	IDE Device
PIORDY	Main I/O	IDE Device
PWROK	Main I/O	System Power Supply
RCIN#	Main I/O	External Microcontroller
REQ[3:0]#, REQ[5]#	Main I/O	PCI Master
REQ[B:A]#	Main I/O	PC/PCI Devices
RI#	Main I/O	Serial Port Buffer
RSMRST#	RTC	External RC circuit
RTCST#	RTC	External RC circuit
SDDREQ	Main I/O	IDE Drive
SERR#	Main I/O	PCI Bus Peripherals
SIORDY	Main I/O	IDE Drive
SMBALERT#	Main I/O	External pull-up
THRM#	Main I/O	Thermal Sensor
VRMPWRGD	Main I/O	CPU Voltage Regulator



## 4.0 Electrical Characteristics

**Note:** This document contains information on products in the sampling and initial production phases of development. The specifications are subject to change without notice. Verify with your local Intel sales office that you have the latest datasheet before finalizing a design.

### 4.1 Absolute Maximum Ratings

**Table 34. Absolute Maximum Ratings**

Case Temperature under Bias	0° C to +109° C
Storage Temperature	-55° C to +150° C
Voltage on Any 3.3 V Pin with Respect to Ground	-0.5 to V <sub>CC</sub> + 0.3 V
Voltage on Any 5 V Tolerant Pin with Respect to Ground (V <sub>REF</sub> =5 V)	-0.5 to V <sub>REF</sub> + 0.3 V
1.8 V Supply Voltage with Respect to V <sub>SS</sub>	-0.5 to +2.7V
3.3 V Supply Voltage with Respect to V <sub>SS</sub>	-0.5 to +4.6 V
5.0 V Supply Voltage (V <sub>ref</sub> ) with Respect to V <sub>SS</sub>	-0.5 to +5.5 V
Maximum Power Dissipation	2.0 W

**Note:** A non-condensing environment is required to maintain RTC accuracy.

**Warning:** Stressing the device beyond the “Absolute Maximum Ratings” may cause permanent damage. These are stress ratings only. See Section 4.2 for the Functional Operating Range of the 82801E C-ICH.

### 4.2 Functional Operating Range

All of the AC and DC Characteristics specified in this document assume that the 82801E C-ICH component is operating within the Functional Operating Range given in this section. Operation outside of the Functional Operating Range is not recommended, and extended exposure outside of the Functional Operating Range may affect component reliability.

**Table 35. Functional Operating Range**

Case Temperature under Bias	0° C to +109° C
1.8 V Supply Voltage (V <sub>CC1_8</sub> ) with respect to V <sub>SS</sub>	1.7 V to 1.9 V
3.3 V Supply Voltage (V <sub>CC3_3</sub> ) with respect to V <sub>SS</sub>	3.102 V to 3.498 V
5 V Supply Voltage (V <sub>5REF</sub> ) with respect to V <sub>SS</sub>	4.75 V to 5.25 V

## 4.3 DC Characteristics

**Table 36. 82801E C-ICH Power Consumption Measurements**

Power Plane	Maximum Sustain Supply Current $I_{CC}$ (max)
1.8 V Core	300 mA
3.3 V I/O	410 mA
1.8 V LAN	30 mA
3.3 V LAN (LAN+LAN Connect Component)	186 mA

**Table 37. DC Characteristic Input Signal Association**

Symbol	Associated Signals
$V_{IH1}/V_{IL1}$ (5 V Tolerant)	<p><b>PCI Signals:</b> AD[31:0], C/BE[3:0]#, DEVSEL#, FRAME#, IRDY#, TRDY#, STOP#, PAR, PERR#, PLOCK#, SERR#, REQ[4:0]#</p> <p><b>PC/PCI Signals:</b> REQ[A]#/GPIO[0], REQB[#]/REQ[5]#/GPIO[1]</p> <p><b>IDE Signals:</b> PDD[15:0], SDD[15:0], PDDREQ, PIORDY, SDDREQ, SIORDY</p> <p><b>Interrupt Signals:</b> IRQ[15:14], SERIRQ, PIRQ[D:A]#, PIRQ[H]#, PIRQ[F:G]#/GPIO[4:3], PIRQ[E]#</p> <p><b>Legacy Signals:</b> RCIN#, A20GATE</p> <p><b>USB Signals:</b> OC[1:0]#</p> <p><b>GPIO Signals:</b> GPIO[7:6, 4:3, 1:0]</p>
$V_{IH2}/V_{IL2}$	<p><b>Clock Signals:</b> CLK66, CLK48, CLK14, LAN_CLK, PCICLK</p>
$V_{IH3}/V_{IL3}$	<p><b>LPC/FWH Signals:</b> LDRQ[1:0]#, LAD[3:0]/FWH[3:0].</p> <p><b>System Management Signals:</b> SMBALERT#/GPIO[11]</p> <p><b>EEPROM Signals:</b> EE_DIN</p> <p><b>Power Management Signals:</b> PME#, PWRBTN#, RI#, RSM_PWROK, RTCRST#, THRM#, VRMPWRGD</p> <p><b>GPIO Signals:</b> GPIO[25:24, 13:12, 8]</p>
$V_{IH4}/V_{IL4}$	<p><b>Clock Signals:</b> APICCLK</p>
$V_{IH5}/V_{IL5}$	<p><b>SMBus Signals:</b> SMBCLK, SMBDATA</p> <p><b>System Management Signals:</b> INTRUDER#, SMLINK[1:0]</p> <p><b>Power Management Signals:</b> RSMRST#, PWROK,</p> <p><b>GPIO Signals:</b> GPIO[28:27]</p>
$V_{IL6}/V_{IH6}$	<p><b>LAN Signals:</b> LAN0_RXD[2:0], LAN1_RXD[2:0]</p>
$V_{IL7}/V_{IH7}$	<p><b>Processor Signals:</b> FERR#, APICD[1:0]</p>
$V_{IL8}/V_{IH8}$	<p><b>Hub Interface Signals:</b> HL[11:0], HL_STB#, HL_STB</p>
$V_{DI}/V_{CM}/V_{SE}$	<p><b>USB Signals:</b> USBP0P, USBP0N, USBP1P, USBP1N</p>
$V_{IL9}/V_{IH9}$	<p>RTCX1</p>

**Table 38. DC Input Characteristics**

Symbol	Parameter	Min.	Max	Unit	Notes
$V_{IL1}$	Input Low Voltage	-0.5	0.8	V	
$V_{IH1}$	Input High Voltage	2.0	V5REF + 0.5	V	
$V_{IL2}$	Input Low Voltage	-0.5	0.8	V	
$V_{IH2}$	Input High Voltage	2.0	Vcc3_3 + 0.5	V	
$V_{IL3}$	Input Low Voltage	-0.5	0.3Vcc3_3	V	
$V_{IH3}$	Input High Voltage	0.5 Vcc3_3	Vcc3_3 + 0.5	V	
$V_{IL4}$	Input Low Voltage	-0.5	0.7	V	
$V_{IH4}$	Input High Voltage	1.7	2.625	V	
$V_{IL5}$	Input Low Voltage	-0.5	0.6	V	
$V_{IH5}$	Input High Voltage	2.1	Vcc3_3 + 0.5	V	
$V_{IL6}$	Input Low Voltage	-0.5	0.3Vcc3_3	V	
$V_{IH6}$	Input High Voltage	0.6 Vcc3_3	Vcc3_3 + 0.5	V	
$V_{IL7}$	Input Low Voltage	-0.5	0.6	V	
$V_{IH7}$	Input High Voltage	1.2	Vcc3_3 + 0.5	V	
$V_{IL8}$	Input Low Voltage	-0.5	HUBREF - 0.15	V	Normal Mode
			HUBREF - 0.20		Enhanced Mode
$V_{IH8}$	Input High Voltage	HUBREF + 0.15	Vcc1_8 + 0.5	V	Normal Mode
		HUBREF + 0.20			Enhanced Mode
$V_{DI}$	Differential Input Sensitivity	0.2		V	Note 1
$V_{CM}$	Differential Common Mode Range	0.8	2.5	V	Note 2
$V_{SE}$	Single-Ended Receiver Threshold	0.8	2.0	V	
$V_{IL9}$	Input Low Voltage	-0.5	0.10	V	
$V_{IH9}$	Input High Voltage	0.40	2.0	V	

**NOTES:**

- $V_{DI} = | \text{USBPx[P]} - \text{USBPx[N]} |$
- Includes  $V_{DI}$  range.

**Table 39. DC Characteristic Output Signal Association (Sheet 1 of 2)**

Symbol	Associated Signals
$V_{OH1}/V_{OL1}$	<b>IDE Signals:</b> PDD[15:0], SDD[15:0], PDIOW#/PDSTOP, SDIOW#/SDSTOP, PDIOR#/PDWSTB/PRDMARDY#, SDIOR#/STWSTB/SRDMARDY#, PDDACK#, SDDACK#, PDA[2:0], SDA[2:0], PDCS[3,1]#, SDCS[3,1]#
$V_{OH2}/V_{OL2}$	<b>Processor Signals:</b> A20M#, CPUPWRGD, CPUSLP#, IGNNE#, INIT#, INTR, NMI, SMI#, STPCLK#
$V_{OH3}/V_{OL3}$	<b>PCI Signals:</b> AD[31:0], C/BE[3:0]#, PCIRST#, GNT[5, 3:0]#, PAR, DEVSEL#, PERR#, PLOCK#, STOP#, TRDY#, IRDY#, FRAME#, SERR# <b>Interrupt Signals:</b> SERIRQ, PIRQ[A:F]#, PIRQ[G:H]#/GPIO[5:4]

Table 39. DC Characteristic Output Signal Association (Sheet 2 of 2)

Symbol	Associated Signals
$V_{OH4}/V_{OL4}$	<b>PCI Signals:</b> GNT[5]#/GNT[B]#/GPIO[17], GNT[A]#/GPIO[16] <b>LPC/FWH Signals:</b> LAD[3:0]/FWH[3:0], LFRAME#/FWH[4] <b>LAN Signals:</b> LAN0_RSTSYNC, LAN1_RSTSYNC, LAN0_TXD[2:0], LAN1_TXD[2:0] <b>GPIO Signals:</b> GPIO[21]
$V_{OL5}/V_{OH5}$	<b>SMBus Signals:</b> SMBCLK, SMBDATA <b>System Management Signals:</b> SMLINK[1:0] <b>Interrupt Signals:</b> APICD[1:0]
$V_{OL6}/V_{OH6}$	<b>EEPROM Signals:</b> EE0_CS, EE1_CS, EE0_DOUT, EE1_DOUT, EE0_SHCLK, EE1_SHCLK <b>Other Signals:</b> SPKR <b>GPIO Signals:</b> GPIO[28:27, 25:22, 20:18]
$V_{OL7}/V_{OH7}$	<b>USB Signals:</b> USBP0P, USBP0N, USBP1P, USBP1N
$V_{OL8}/V_{OH8}$	<b>Hub Signals:</b> HL[11:0], HL_STB#, HL_STB

Table 40. DC Output Characteristics

Symbol	Parameter	Min.	Max	Unit	$I_{OL} / I_{OH}$	Notes
$V_{OL1}$	Output Low Voltage		0.5	V	4 mA	
$V_{OH1}$	Output High Voltage	2.4		V	-0.4 mA	
$V_{OL2}$	Output Low Voltage		0.4	V	4.0 mA	
$V_{OH2}$	Output High Voltage	$V_{CPU\_IO} - 0.13V$		V	-0.5 mA	Note 1
$V_{OL3}$	Output Low Voltage		0.55	V	6 mA	
$V_{OH3}$	Output High Voltage	2.4		V	-2 mA	Note 1
$V_{OL4}$	Output Low Voltage		0.1 Vcc	V	1.5 mA	
$V_{OH4}$	Output High Voltage	0.9 Vcc		V	-0.5 mA	Note 1
$V_{OL5}$	Output Low Voltage		0.4	V	3.0 mA	
$V_{OH5}$	Output High Voltage	N/A		V		Note 1
$V_{OL6}$	Output Low Voltage		0.4	V	4.0 mA	
$V_{OH6}$	Output High Voltage	$V_{cc3\_3} - 0.5$		V	-2.0 mA	Note 1
$V_{OL7}$	Output Low Voltage		0.4	V	5 mA	
$V_{OH7}$	Output High Voltage	$V_{cc} - 0.5$		V	-2 mA	
$V_{OL8}$	Output Low Voltage		$0.1 \times (V_{cc1\_8})$	V	1 mA	Normal Mode
			0.8	V	20 mA	Enhanced Mode
$V_{OH8}$	Output High Voltage	$0.9 \times (V_{cc1\_8})$		V	-1 mA	Normal Mode
		1.6		V	-1.5 mA	Enhanced Mode

**NOTES:**

- The CPUPWRGD, SERR#, PIRQ[A:H], GPIO22/CPUPERF, APIC[1:0], SMBDATA, SMBCLK and SMLINK[1:0] signals have an open drain driver, and the VOH specification does not apply. These signals must have external pull-up resistors.

**Table 41. Other DC Characteristics**

Symbol	Parameter	Min.	Max	Unit	Notes
V5REF	ICH2 Core Well Reference Voltage	4.75	5.25	V	
VCC3_3	I/O Buffer Voltage	3.102	3.498	V	
VCC1_8	Internal Logic Voltage	1.7	1.9	V	
HUBREF	Hub Interface Reference Voltage	$0.48 \times (V_{cc1.8})$	$0.52 \times (V_{cc1.8})$	V	Normal Mode
		$0.64 \times (V_{cc1.8})$	$0.70 \times (V_{cc1.8})$	V	Enhanced Mode
Vcc(RTC)	Battery Voltage	2.0	3.6	V	
V <sub>IT+</sub>	Hysteresis Input Rising Threshold	1.9		V	Applied to USBP[1:0][P:N]
V <sub>IT-</sub>	Hysteresis Input Falling Threshold		1.3	V	Applied to USBP[1:0][P:N]
V <sub>DI</sub>	Differential Input Sensitivity	0.2		V	{(USBPx+,USBPx-)}
V <sub>CM</sub>	Differential Common Mode Range	0.8	2.5	V	Includes V <sub>DI</sub>
V <sub>CRS</sub>	Output Signal Crossover Voltage	1.3	2.0	V	
V <sub>SE</sub>	Single Ended Rcvr Threshold	0.8	2.0	V	
I <sub>LI1</sub>	Input Leakage Current	-1.0	+1.0	μA	
I <sub>LI2</sub>	Hi-Z State Data Line Leakage	-10	+10	μA	(0 V < V <sub>IN</sub> < 3.3V)
I <sub>LI3</sub>	Input Leakage Current - Clock signals	-100	+100	μA	See Note
C <sub>IN</sub>	Input Capacitance - Hub interface		8	pF	F <sub>C</sub> = 1 MHz
	Input Capacitance - All Other		12	pF	
C <sub>OUT</sub>	Output Capacitance		12	pF	F <sub>C</sub> = 1 MHz
C <sub>I/O</sub>	I/O Capacitance		12	pF	F <sub>C</sub> = 1 MHz
C <sub>L</sub>	Crystal Load Capacitance			pF	2.5 – 6 pF Typical

**NOTES:**

1. Includes APICCLK, CLK14, CLK48, CLK66, LAN\_CLK and PCICLK

## 4.4 AC Characteristics

Table 42. Clock Timings (Sheet 1 of 2)

Sym	Parameter	Min	Max	Unit	Notes	Figure
<b>PCI Clock (PCICLK)</b>						
t1	Period	30	33.3	ns		9
t2	High Time	12		ns		9
t3	Low Time	12		ns		9
t4	Rise Time		3	ns		9
t5	Fall Time		3	ns		9
<b>Oscillator Clock (OSC)</b>						
t6	Period	67	70	ns		9
t7	High Time	20				9
t8	Low time	20		ns		9
<b>USB Clock (USBCLK)</b>						
f <sub>clk48</sub>	Operating Frequency	48		MHz		
t9	Frequency Tolerance		500	ppm	1	
t10	High Time	7		ns		9
t11	Low time	7		ns		9
t12	Rise Time		1.2	ns		9
t13	Fall Time		1.2	ns		9
<b>Suspend Clock (SUSCLK)</b>						
f <sub>susclk</sub>	Operating Frequency	32		KHz	4	
t14	High time	10		μs	4	9
t15	Low Time	10		μs	4	9
<b>SMBus Clock (SMBCLK)</b>						
f <sub>smb</sub>	Operating Frequency	10	16	KHz		
t18	High time	4.0	50	μs	2	24
t19	Low time	4.7		μs		24
t20	Rise time		1000	ns		24
t21	Fall time		300	ns		24
<b>I/O APIC Clock (APICCLK)</b>						
f <sub>ioap</sub>	Operating Frequency	14.32	33.33	MHz		

**NOTES:**

1. The USBCLK is a 48 MHz that expects a 40/60% duty cycle. The source of this PPM is external to this component.
2. The maximum high time (t18 Max) provide a simple guaranteed method for devices to detect bus idle conditions.
3. This specification includes pin-to-pin skew from the clock generator as well as board skew.
4. SUSCLK duty cycle can range from 30% minimum to 70% maximum.

**Table 42. Clock Timings (Sheet 2 of 2)**

Sym	Parameter	Min	Max	Unit	Notes	Figure
t22	High time	12	36	ns		9
t23	Low time	12	36	ns		9
t24	Rise time	1.0	5.0	ns		9
t25	Fall time	1.0	5.0	ns		9
<b>Hub Interface Clock</b>						
f <sub>hl</sub>	Operating Frequency	66				
t31	High time	6.0		ns		9
t32	Low time	6.0		ns		9
t33	Rise time	0.25	1.2	ns		9
t34	Fall time	0.25	1.2	ns		9
t35	CLK66 leads PCICLK	1.0	4.5		3	

**NOTES:**

1. The USBCLK is a 48 MHz that expects a 40/60% duty cycle. The source of this PPM is external to this component.
2. The maximum high time (t18 Max) provide a simple guaranteed method for devices to detect bus idle conditions.
3. This specification includes pin-to-pin skew from the clock generator as well as board skew.
4. SUSCLK duty cycle can range from 30% minimum to 70% maximum.

**Table 43. Clock Timings - UART\_CLK**

Sym	Parameter	Min	Max	Units	Notes	Fig
t1a	Operating Frequency	14.7456	48	MHz		
t9a	Frequency Tolerance		2500	PPM		
t10a	High Time	7		ns		9
t11a	Low time	7		ns		9
t12a	Rise Time		3	ns		9
t155a	Fall Time		3	ns		9

**Table 44. PCI Interface Timing (Sheet 1 of 2)**

Sym	Parameter	Min	Max	Units	Notes	Figure
t40	AD[31:0] Valid Delay	2	11	ns	Min: 0pF Max: 50pF	10
t41	AD[31:0] Setup Time to PCICLK Rising	7		ns		11
t42	AD[31:0] Hold Time from PCICLK Rising	0		ns		11
t43	C/BE[3:0]#, FRAME#, TRDY#, IRDY#, STOP#, PAR, PERR#, PLOCK#, DEVSEL# Valid Delay from PCICLK Rising	2	11	ns	Min: 0pF Max: 50pF	10
t44	C/BE[3:0]#, FRAME#, TRDY#, IRDY#, STOP#, PAR, PERR#, PLOCK#, IDSEL, DEVSEL# Output Enable Delay from PCICLK Rising	2		ns		14

Table 44. PCI Interface Timing (Sheet 2 of 2)

Sym	Parameter	Min	Max	Units	Notes	Figure
t45	C/BE[3:0]#, FRAME#, TRDY#, IRDY#, STOP#, PERR#, PLOCK#, DEVSEL#, GNT[A:B]# Float Delay from PCICLK Rising	2	28	ns		12
t46	C/BE[3:0]#, FRAME#, TRDY#, IRDY#, STOP#, SERR#, PERR#, DEVSEL#, Setup Time to PCICLK Rising	7		ns		11
t47	C/BE[3:0]#, FRAME#, TRDY#, IRDY#, STOP#, SERR#, PERR#, DEVSEL#, REQ[A:B]# Hold Time from PCLKIN Rising	0		ns		11
t48	PCIRST# Low Pulse Width	1		ms		13
t49	GNT[A:B]#, GNT[5, 3:0]# Valid Delay from PCICLK Rising	2	12	ns		
t50	REQ[A:B]#, REQ[5, 3:0]# Setup Timer to PCICLK Rising	12		ns		

Table 45. IDE PIO &amp; Multiword DMA Mode Timing (Sheet 1 of 2)

Sym	Parameter	Min	Max	Units	Notes	Figure
t60	PDIOR#/PDIOW#/SDIOR#/SDIOW# Active From CLK66 Rising	2	20	ns		15, 16
t61	PDIOR#/PDIOW#/SDIOR#/SDIOW# Inactive From CLK66 Rising	2	20	ns		15, 16
t62	PDA[2:0]/SDA[2:0] Valid Delay From CLK66 Rising	2	30	ns		15
t63	PDCS1#/SDCS1#, PDCS3#/SDCS3# Active From CLK66 Rising	2	30	ns		15
t64	PDCS1#/SDCS1#, PDCS3#/SDCS3# Inactive From CLK66 Rising	2	30	ns		15
t65	PDDACK#/SDDACK# Active From CLK66 Rising	2	20	ns		16
t66	PDDACK#/SDDACK# Inactive From CLK66 Rising	2	20	ns		
t67	PDDREQ/SDDREQ Setup Time to CLK66 Rising	7		ns		16
t68	PDDREQ/SDDREQ Hold From CLK66 Rising	7		ns		16
t69	PDD[15:0]/SDD[15:0] Valid Delay From CLK66 Rising	2	30	ns		15, 16
t70	PDD[15:0]/SDD[15:0] Setup Time to CLK66 Rising	10		ns		15, 16
t71	PDD[15:0]/SDD[15:0] Hold From CLK66 Rising	7		ns		15, 16
t72	PIORDY/SIORDY Setup Time to CLK66 Rising	7		ns	1	15
t73	PIORDY/SIORDY Hold From CLK66 Rising	7		ns	1	15

**NOTES:**

1. IORDY is internally synchronized. This timing is to guarantee recognition on the next clock.
2. PIORDY sample point from DIOx# assertion and PDIOx# active pulse width is programmable from 2-5 PCI clocks when the drive mode is Mode 2 or greater. Refer to the ISP field in the IDE Timing Register
3. PIORDY sample point from DIOx# assertion, PDIOx# active pulse width and PDIOx# inactive pulse width cycle time is the compatible timing when the drive mode is Mode 0/1. Refer to the TIM0/1 field in the IDE timing register.
4. PDIOx# inactive pulse width is programmable from 1-4 PCI clocks when the drive mode is Mode 2 or greater. Refer to the RCT field in the IDE Timing Register.



**Table 45. IDE PIO & Multiword DMA Mode Timing (Sheet 2 of 2)**

Sym	Parameter	Min	Max	Units	Notes	Figure
t74	PIORDY/SIORDY Inactive Pulse Width	48		ns		15
t75	PDIOR#/PDIOW#/SDIOR#/SDIOW# Pulse Width Low				2,3	15, 16
t76	PDIOR#/PDIOW#/SDIOR#/SDIOW# Pulse Width High				3,4	15, 16

**NOTES:**

1. IORDY is internally synchronized. This timing is to guarantee recognition on the next clock.
2. PIORDY sample point from DIOx# assertion and PDIOx# active pulse width is programmable from 2-5 PCI clocks when the drive mode is Mode 2 or greater. Refer to the ISP field in the IDE Timing Register
3. PIORDY sample point from DIOx# assertion, PDIOx# active pulse width and PDIOx# inactive pulse width cycle time is the compatible timing when the drive mode is Mode 0/1. Refer to the TIM0/1 field in the IDE timing register.
4. PDIOx# inactive pulse width is programmable from 1-4 PCI clocks when the drive mode is Mode 2 or greater. Refer to the RCT field in the IDE Timing Register.

**Table 46. Ultra ATA Timing (Mode 0, Mode 1, Mode 2)**

Sym	Parameter (1)	Mode 0 (ns)		Mode 1 (ns)		Mode 2 (ns)		Figure
		Min	Max	Min	Max	Min	Max	
t80	Sustained Cycle Time (T2cyc <sub>typ</sub> )	240		160		120		
t81	Cycle Time (T <sub>cyc</sub> )	112		73		54		18
t82	Two Cycle Time (T2cyc)	230		154		115		18
t83	Data Setup Time (T <sub>ds</sub> )	15		10		7		18
t84	Data Hold Time (T <sub>dh</sub> )	5		5		5		18
t85	Data Valid Setup Time (T <sub>dvs</sub> )	70		48		30		18
t86	Data Valid Hold Time (T <sub>dvh</sub> )	6		6		6		18
t87	Limited Interlock Time (T <sub>li</sub> )	0	150	0	150	0	150	20
t88	Interlock Time w/ Minimum (T <sub>mli</sub> )	20		20		20		20
t89	Envelope Time (T <sub>env</sub> )	20	70	20	70	20	70	17
t90	Ready to Pause Time (T <sub>rp</sub> )	160		125		100		19
t91	DMACK setup/hold Time (T <sub>ack</sub> )	20		20		20		17, 20

**NOTE:**

1. The specification symbols in parentheses correspond to the Ultra ATA specification name.

Table 47. Ultra ATA Timing (Mode 3, Mode 4, Mode 5)

Sym	Parameter (1)	Mode 3 (ns)		Mode 4 (ns)		Mode 5 (ns)		Figure
		Min	Max	Min	Max	Min	Max	
t80	Sustained Cycle Time (T2cyc <sub>typ</sub> )	90		60		40		
t81	Cycle Time (T <sub>cyc</sub> ) (2)	39		25		16.8		18
t82	Two Cycle Time (T2cyc)	86		57		38		18
t83	Data Setup Time (T <sub>ds</sub> )	7		5		4.0		18
t84	Data Hold Time (T <sub>dh</sub> )	5		5		4.6		18
t85	Data Valid Setup Time (T <sub>dvs</sub> )	20		6		6.0		18
t86	Data Valid Hold Time (T <sub>dvh</sub> )	6		6		6.0		18
t87	Limited Interlock Time (T <sub>li</sub> )	0	100	0	100	0	75	20
t88	Interlock Time w/ Minimum (T <sub>mli</sub> )	20		20			20	20
t89	Envelope Time (T <sub>env</sub> )	20	55	20	55	20	50	17
t90	Ready to Pause Time (T <sub>rp</sub> )	100		100		85		19
t91	DMACK setup/hold Time (T <sub>ack</sub> )	20		20		20		17, 20

Table 48. Universal Serial Bus Timing

Sym	Parameter	Min	Max	Units	Notes	Fig
<b>Full Speed Source (Note 7)</b>						
t122	USBPx+, USBPx- Driver Rise Time	4	20	ns	1, C <sub>L</sub> = 50 pF	21
t123	USBPx+, USBPx- Driver Fall Time	4	20	ns	1, C <sub>L</sub> = 50 pF	21
t102	Source Differential Driver Jitter To Next Transition For Paired Transitions	-3.5 -4	3.5 4	ns ns	2, 3	22
t103	Source SE0 interval of EOP	160	175	ns	4	23
t104	Source Jitter for Differential Transition to SE0 Transition	-2	5	ns	5	
t105	Receiver Data Jitter Tolerance To Next Transition For Paired Transitions	-18.5 -9	18.5 9	ns ns	3	22
t106	EOP Width: Must accept as EOP	82		ns	4	23
t107	Width of SE0 interval during differential transition		14	ns		
<b>Low Speed Source (Note 8)</b>						
t122	USBPx+, USBPx- Driver Rise Time	75	300	ns ns	1, 6 C <sub>L</sub> = 50 pF C <sub>L</sub> = 350 pF	21
t123	USBPx+, USBPx- Driver Fall Time	75	300	ns ns	1,6 C <sub>L</sub> = 50 pF C <sub>L</sub> = 350 pF	21
t110	Source Differential Driver Jitter To Next Transition For Paired Transitions	-25 -14	25 14	ns ns	2, 3	22
t111	Source SE0 interval of EOP	1.25	1.50	μs	4	23
t112	Source Jitter for Differential Transition to SE0 Transition	-40	100	ns	5	
t113	Receiver Data Jitter Tolerance To Next Transition For Paired Transitions	-152 -200	152 200	ns ns	3	22
t114	EOP Width: Must accept as EOP	670		ns	4	23
t115	Width of SE0 Interval during Differential Transition		210	ns	5	

**NOTES:**

1. Driver output resistance under steady state drive is specified at 28 ohms at minimum and 43 ohms at maximum
2. Timing difference between the differential data signals
3. Measured at crossover point of differential data signals
4. Measured at 50% swing point of data signals
5. Measured from last crossover point to 50% swing point of data line at leading edge of EOP
6. Measured from 10% to 90% of the data signal
7. Full Speed Data Rate has minimum of 11.97 Mbps and maximum of 12.03 Mbps
8. Low Speed Data Rate has a minimum of 1.48 Mbps and a maximum of 1.52 Mbps

**Table 49. IOAPIC Bus Timing**

Sym	Parameter	Min	Max	Units	Notes	Fig
t120	APICCD[1:0]# Valid Delay from APICCLK Rising	3.0	12.0	ns		10
t121	APICCD[1:0]# Setup Time to APICCLK Rising	8.5		ns		11
t122	APICCD[1:0]# Hold Time from APICCLK Rising	3.0		ns		11

**Table 50. SMBus Timing**

Sym	Parameter	Min	Max	Units	Notes	Fig
t130	Bus Tree Time Between Stop and Start Condition	4.7		µs		24
t131	Hold Time after (repeated) Start Condition. After this period, the first clock is generated.	4.0		µs		24
t132	Repeated Start Condition Setup Time	4.7		µs		24
t133	Stop Condition Setup Time	4.0		µs		24
t134	Data Hold Time	300		ns		24
t135	Data Setup Time	250		ns		24
t136	Device Time Out	25	35	ms	1	
t137	Cumulative Clock Low Extend Time (slave device)		25	ms	2	25
t138	Cumulative Clock Low Extend Time (master device)		10	ms	3	25

**NOTES:**

1. A device will time out when any clock low exceeds this value.
2. t137 is the cumulative time a slave device is allowed to extend the clock cycles in one message from the initial start to stop. If a slave device exceeds this time, it is expected to release both its clock and data lines and reset itself.
3. t138 is the cumulative time a master device is allowed to extend its clock cycles within each byte of a message as defined from start-to-ack, ack-to-ack or ack-to-stop.

**Table 51. SIU LPC and Serial IRQ Timings**

Sym	Parameter	Min	Max	Units	Notes	Fig
t150a	SIU_LAD[3:0]/SIU_SERIRQ Valid Delay from SIU_LCLK Rising	2	11	ns		10
t151a	SIU_LAD[3:0]/SIU_SERIRQ Output Enable Delay from SIU_LCLK Rising	2		ns		14
t152a	SIU_LAD[3:0]/SIU_SERIRQ Float Delay from SIU_LCLK Rising		28	ns		12
t153a	SIU_LAD[3:0]/SIU_SERIRQ Setup Time to SIU_LCLK Rising	7		ns		11
t154a	SIU_LAD[3:0]/SIU_SERIRQ Hold Time from SIU_LCLK Rising	0		ns		11
t155a	SIU_LDRQ# Valid Delay from SIU_LCLK Rising	2	11	ns		10
t157a	SIU_LFRAME# Setup Time to SIU_LCLK Rising	7		ns		11
t157b	SIU_LAD[3:0] Hold Time from SIU_LCLK Rising	0		ns		11

**Table 52. UART Timings**

Sym	Parameter	Min	Max	Units	Notes	Fig
t150a	SIU0_TXD, SIU1_TXD Valid Delay from UART_CLK Rising	2	13	ns		10
t150a	SIU0_DTR#, SIU0_RTS#, SIU1_DTR#, and SIU1_RTS# Valid Delay from SIU_LCLK Rising	2	11	ns		10
t153a	SIU0_RXD, SIU0_CTS#, SIU0_DSR#, SIU0_DCD#, SIU0_RI#, SIU1_RXD, SIU1_CTS#, SIU1_DSR#, SIU1_DCD#, and SIU1_RI# Setup Time to SIU_LCLK Rising	7		ns		11
t154a	SIU0_RXD, SIU0_CTS#, SIU0_DSR#, SIU0_DCD#, SIU0_RI#, SIU1_RXD, SIU1_CTS#, SIU1_DSR#, SIU1_DCD#, and SIU1_RI# Hold Time from SIU_LCLK Rising	0		ns		11
t10a	SIU0_CTS#, SIU0_DSR#, SIU0_DCD#, SIU0_RI#, SIU1_CTS#, SIU1_DSR#, SIU1_DCD#, and SIU1_RI# high time	100				9
t11a	SIU0_CTS#, SIU0_DSR#, SIU0_DCD#, SIU0_RI#, SIU1_CTS#, SIU1_DSR#, SIU1_DCD#, and SIU1_RI# low time	100				9

**Table 53. LPC Timing**

Sym	Parameter	Min	Max	Units	Notes	Fig
t150	LAD[3:0] Valid Delay from PCICLK Rising	2	11	ns		10
t151	LAD[3:0] Output Enable Delay from PCICLK Rising	2		ns		14
t152	LAD[3:0] Float Delay from PCICLK Rising		28	ns		12
t153	LAD[3:0] Setup Time to PCICLK Rising	7		ns		11
t154	LAD[3:0] Hold Time from PCICLK Rising	0		ns		11
t155	LDRQ[1:0]# Setup Time to PCICLK Rising	12		ns		11
t156	LDRQ[1:0]# Hold Time from PCICLK Rising	0		ns		11
t157	LFRAME# Valid Delay from PCICLK Rising	2	12	ns		10

**Table 54. Miscellaneous Timings**

Sym	Parameter	Min	Max	Units	Notes	Fig
t160	SERIRQ Setup Time to PCICLK Rising	7		ns		11
t161	SERIRQ Hold Time from PCICLK Rising	0		ns		11
t162	RI#, EXTSMI#, GPI, USB Resume Pulse Width	2		RTCCCLK		13
t163	SPKR Valid Delay from OSC Rising		200	ns		10
t164	SERR# Active to NMI Active		200	ns		
t165	IGNNE# Inactive from FERR# Inactive		230	ns		

**Table 55. Power Sequencing and Reset Signal Timings**

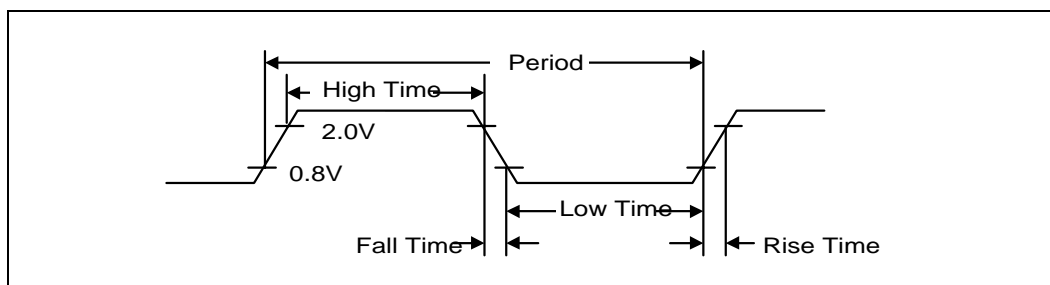
Sym	Parameter	Min	Max	Units	Notes	Fig
t170	VccRTC active to RTCRST# inactive	5	-	ms		26
t171	VccRTC supply active to Vcc supplies active	0	-	ms	3	26
t172	V5Ref active to Vcc3_3, Vcc1_8 active	0	-	ms	1, 2	26, 27
t173	Vcc supplies active to PWROK, VRMPWRGD active	10	-	ms	2	26, 27
t174	AC_RST# active low pulse width	1		μs		
t175	AC_RST# inactive to BIT_CLK startup delay	162.8		ns		

**NOTES:**

1. The V5Ref supply must power up before or simultaneous with its associated 3.3 V supply, and must power down simultaneous with or after the 3.3V supply. See Section 3.3.4 for details.
2. The associated 3.3 V and 1.8 V supplies are assumed to power up or down together. The difference between the levels of the 3.3 V and 1.8 V supplies must never be greater than 2.0V.
3. The Vcc supplies must **never** be active while the VccRTC supply is inactive.

## 4.5 Timing Diagrams

**Figure 9. Clock Timing**



**Figure 10. Valid Delay From Rising Clock Edge**

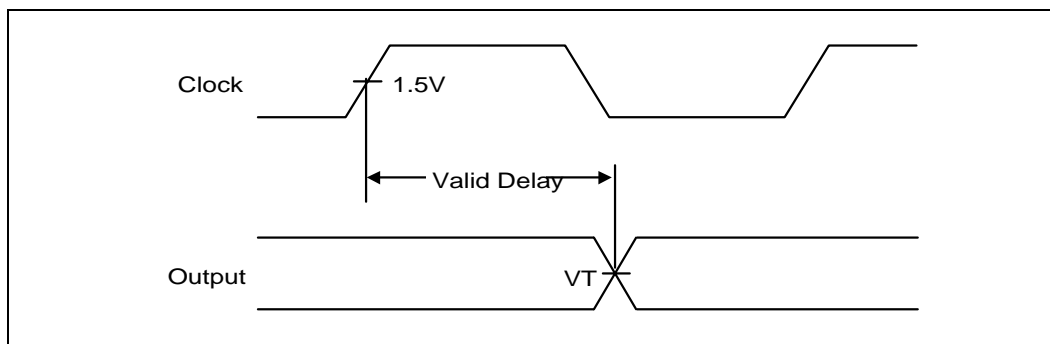


Figure 11. Setup And Hold Times

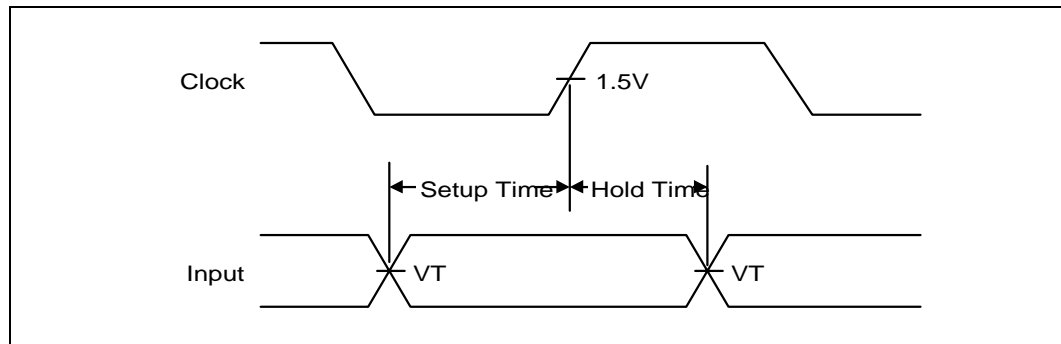


Figure 12. Float Delay

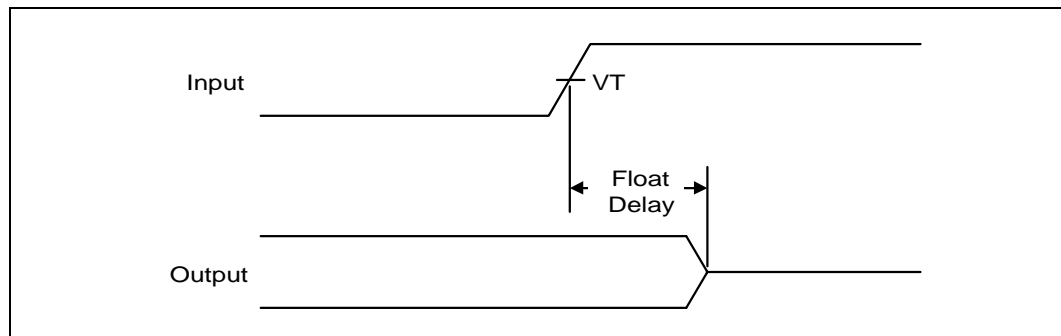


Figure 13. Pulse Width

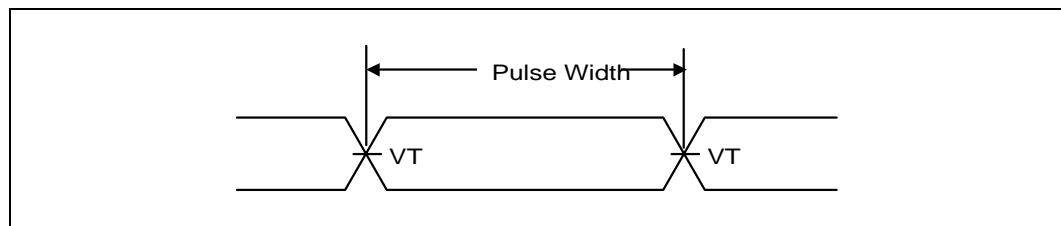


Figure 14. Output Enable Delay

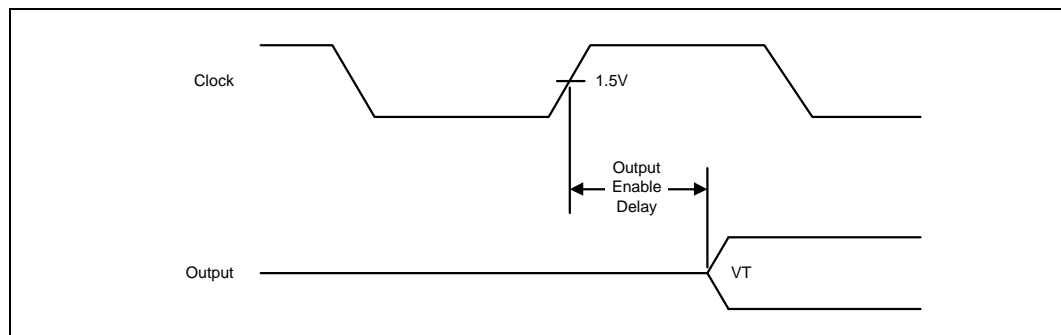


Figure 15. IDE PIO Mode

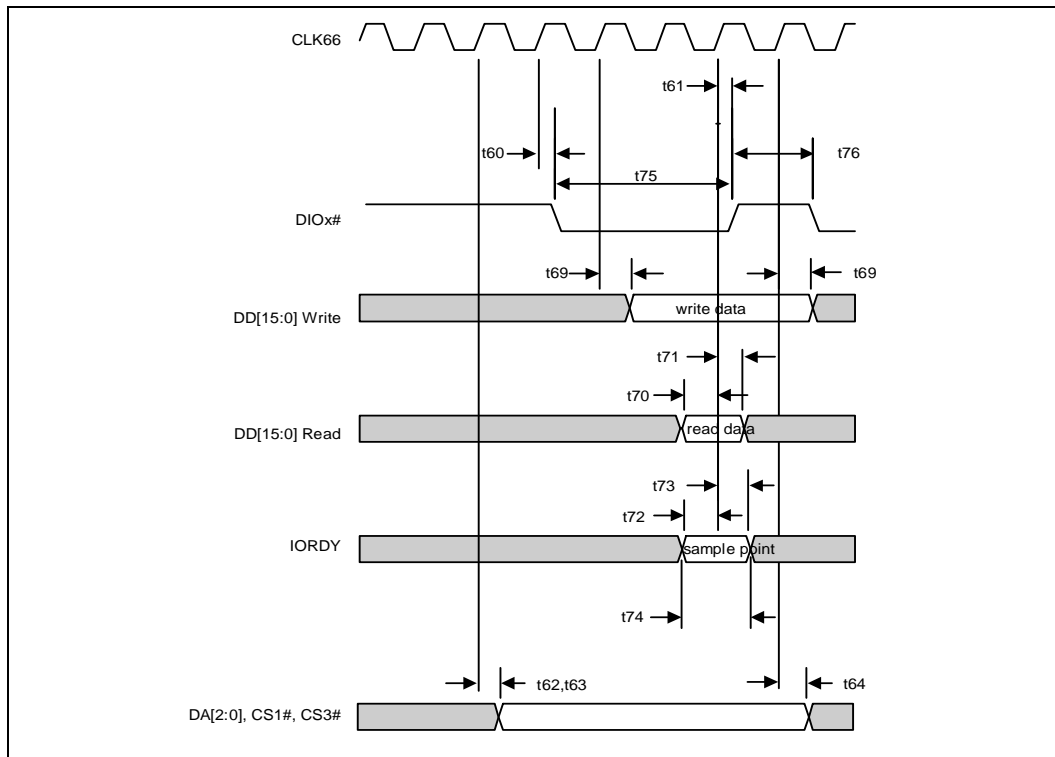
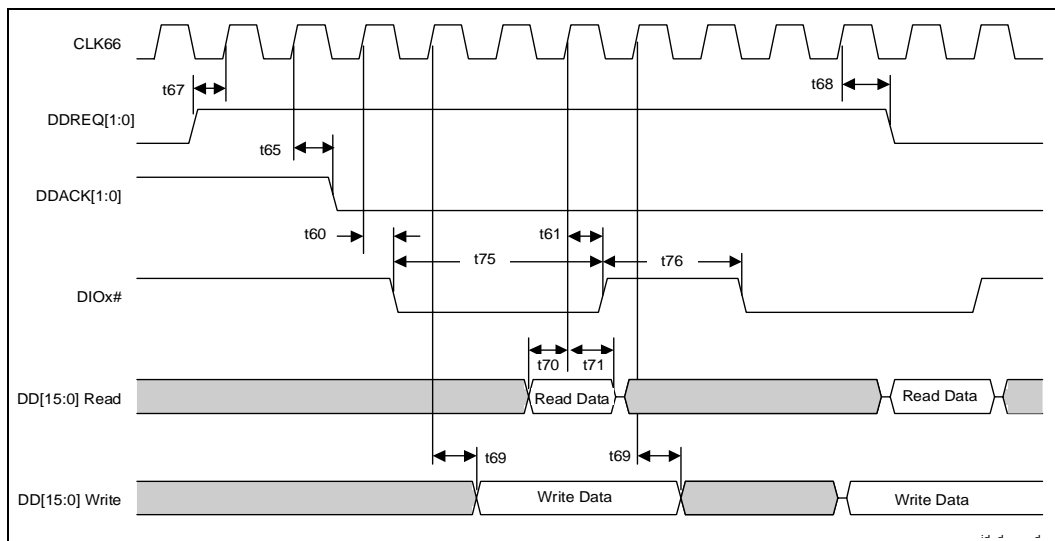
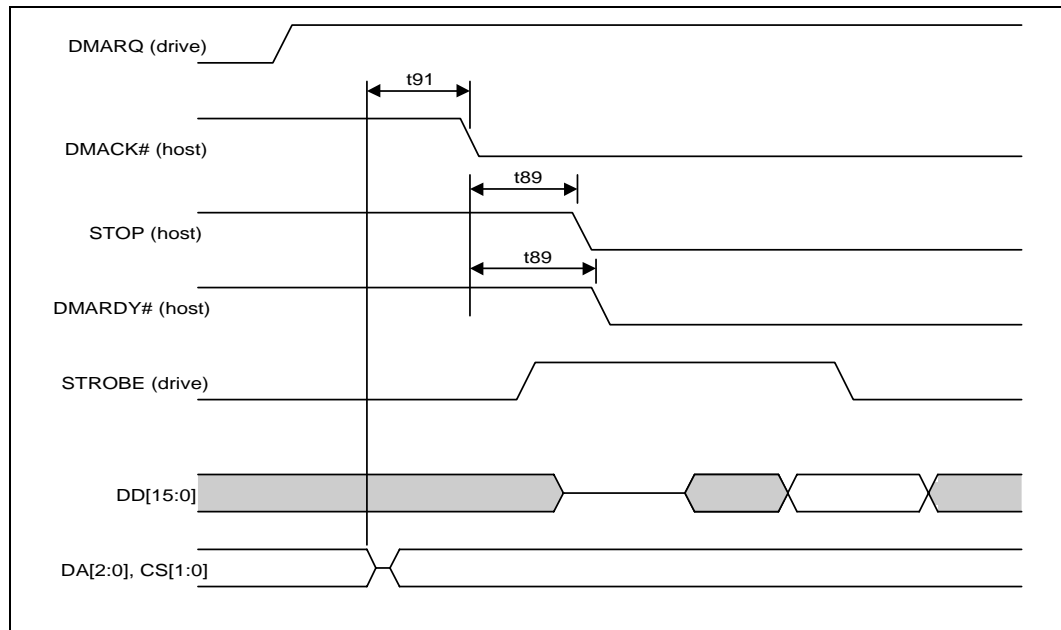


Figure 16. IDE Multiword DMA





**Figure 17. Ultra ATA Mode (Drive Initiating a Burst Read)**



**Figure 18. Ultra ATA Mode (Sustained Burst)**

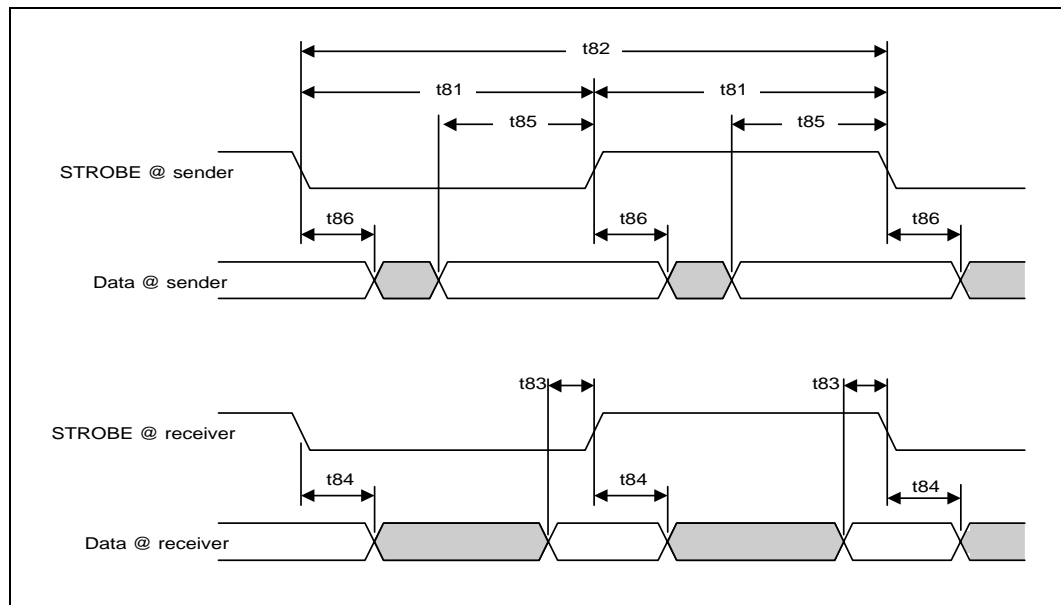


Figure 19. Ultra ATA Mode (Pausing a DMA Burst)

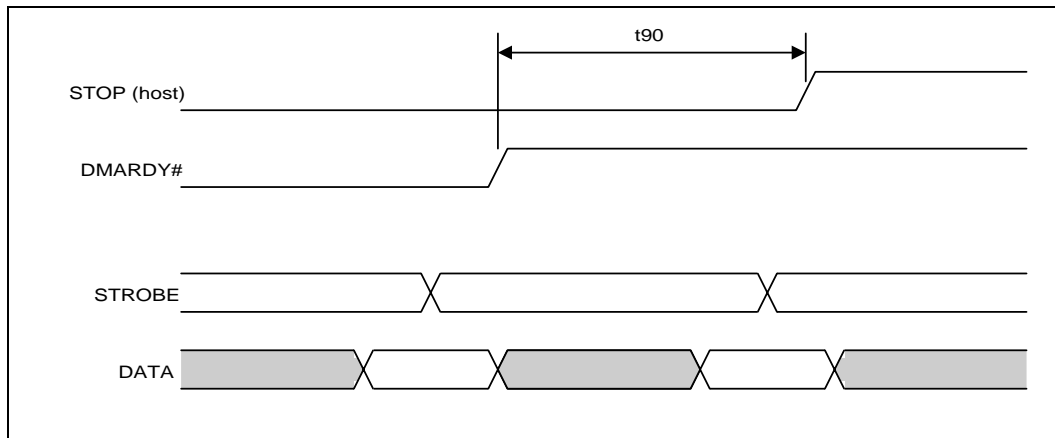


Figure 20. Ultra ATA Mode (Terminating a DMA Burst)

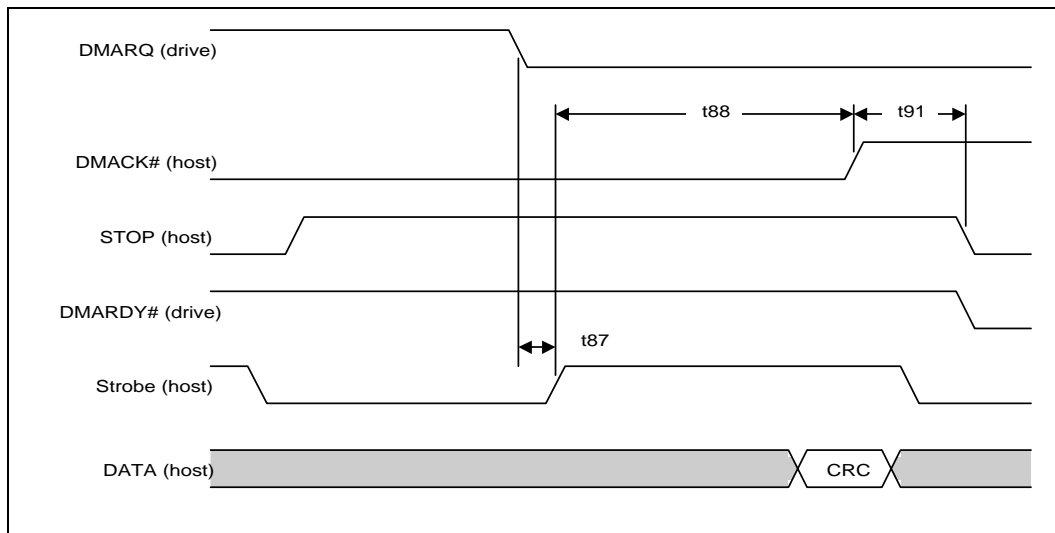


Figure 21. USB Rise and Fall Times

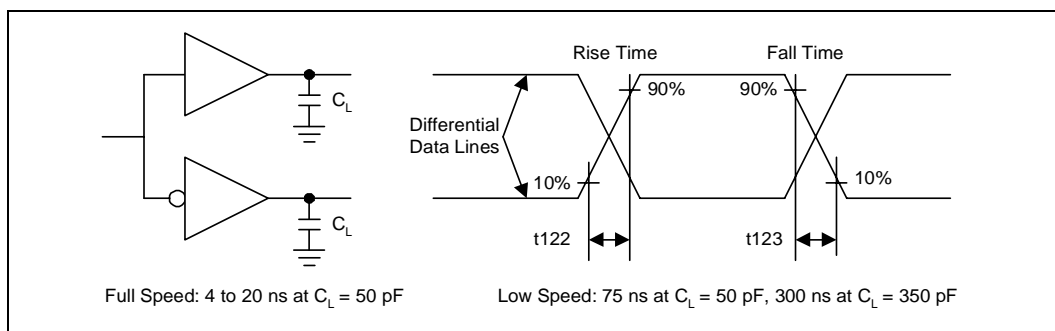


Figure 22. USB Jitter

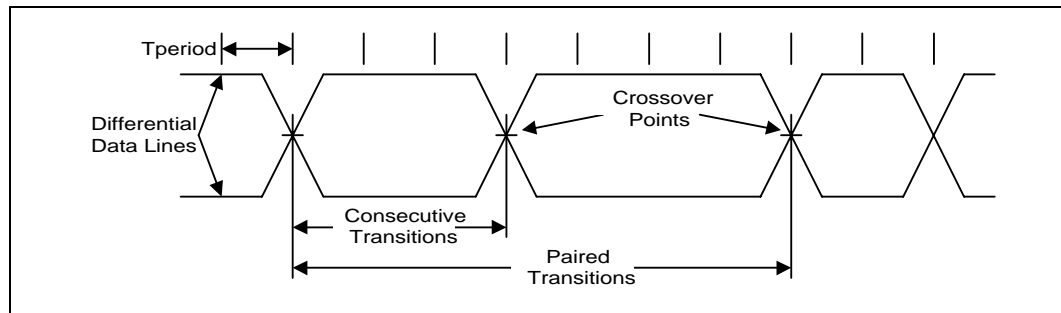


Figure 23. USB EOP Width

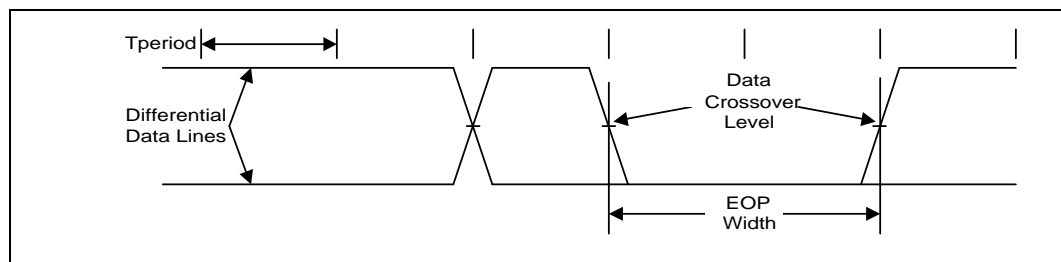


Figure 24. SMBus Transaction

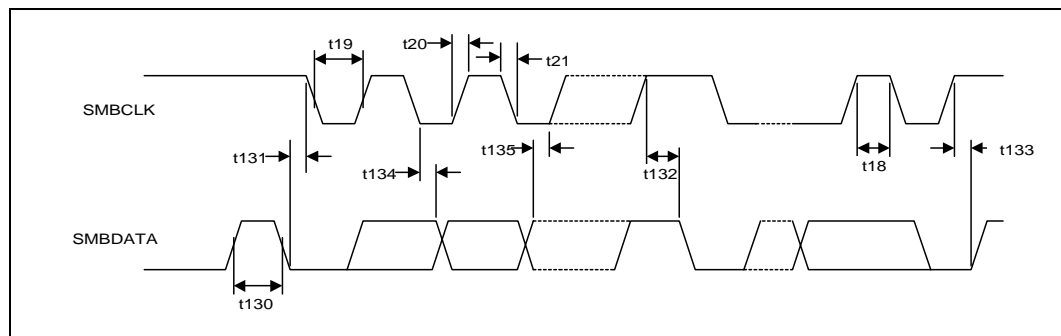


Figure 25. SMBus Time-out

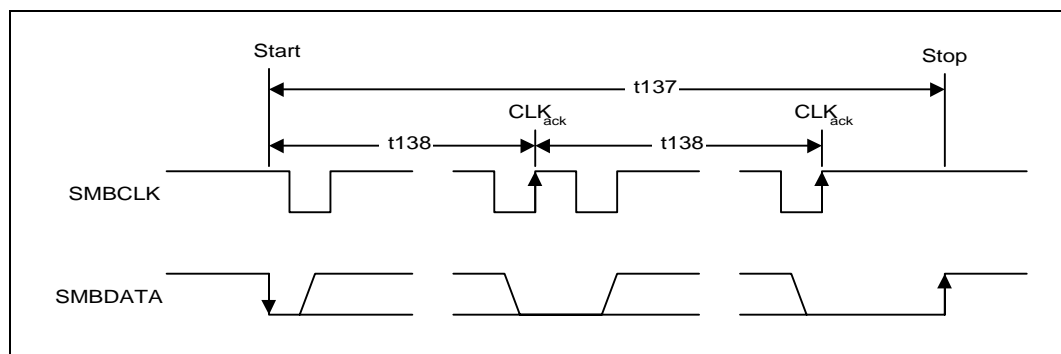


Figure 26. Power Sequencing and Reset Signal Timings

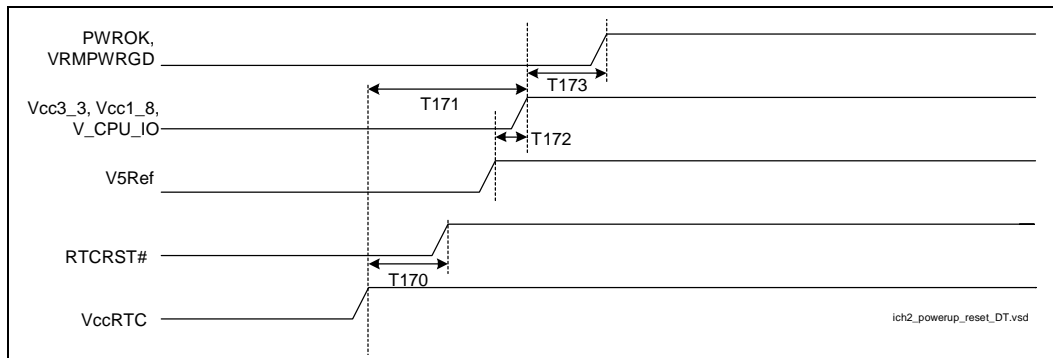


Figure 27. 1.8 V/3.3 V Power Sequencing

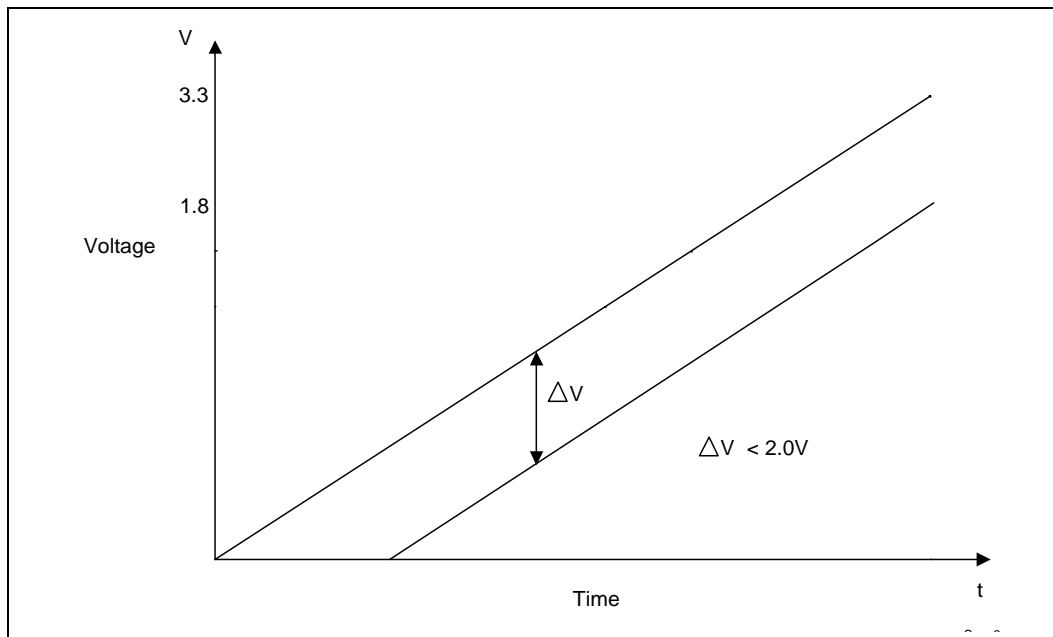
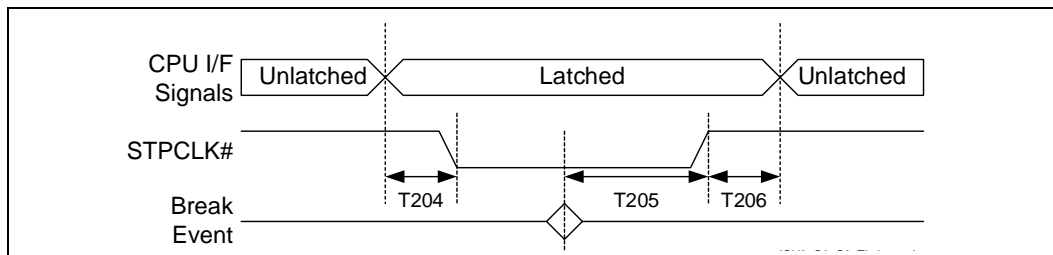


Figure 28. C0 to C2 to C0 Timings



## 5.0 Testability

### 5.1 Test Mode Description

The 82801E C-ICH supports two types of test modes, a tri-state test mode and an XOR Chain test mode. Driving RTCRST# low for a specific number of PCI clocks while PWROK is high activates a particular test mode as described in Table 56.

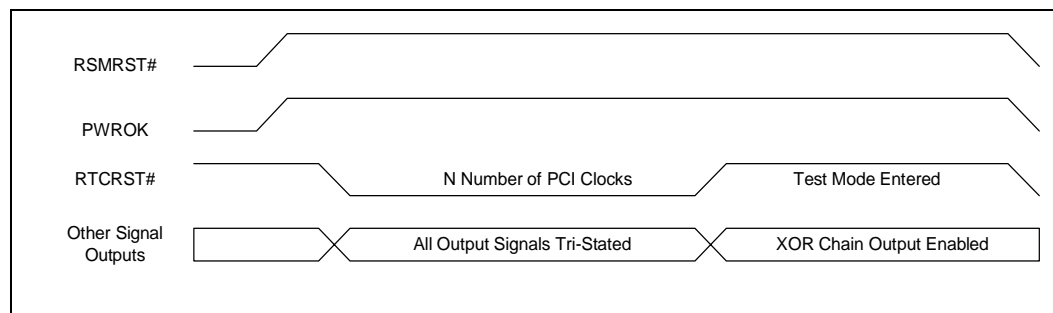
*Note:* RTCRST# can be driven low any time after PCIRST# is inactive.

**Table 56. Test Mode Selection**

Number of PCI Clocks RTCRST# Driven Low After PWROK Active	Test Mode
<4	No Test Mode Selected
4	XOR Chain 1
5	XOR Chain 2
6	XOR Chain 3
7	XOR Chain 4
8	All "Z"
9 - 24	Reserved. DO NOT ATTEMPT
>24	No Test Mode Selected

Figure 29 illustrates the entry into a test mode. A particular test mode is entered upon the rising edge of the RTCRST# after being asserted for a specific number of PCI clocks while PWROK is active. To change test modes, the same sequence should be followed again. To restore the 82801E C-ICH to normal operation, execute the sequence with RTCRST# being asserted so that no test mode is selected as specified in Table 56.

**Figure 29. Test Mode Entry (XOR Chain Example)**



## 5.2 Tri-state Mode

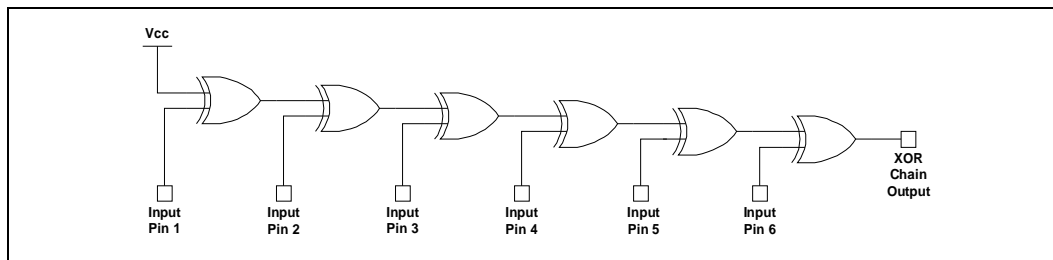
When in the tri-state mode, all outputs and bidirectional pin are tri-stated, including the XOR Chain outputs.

## 5.3 XOR Chain Mode

In the 82801E C-ICH, provisions for Automated Test Equipment (ATE) board level testing are implemented with XOR Chains. The 82801E C-ICH signals are grouped into four independent XOR chains which are enabled individually. When an XOR chain is enabled, all output and bidirectional buffers within that chain are tri-stated, except for the XOR chain output. Every signal in the enabled XOR chain (except for the XOR chain's output) functions as an input. All output and bidirectional buffers for pins not in the selected XOR chain are tri-stated. Figure 30 is a schematic example of XOR chain circuitry.

Table 57 - Table 60 list each XOR chain pin ordering, with the first value being the first input and the last value being the XOR chain output. Table 61 lists the signal pins not included in any XOR chain.

**Figure 30. Example XOR Chain Circuitry**



**Table 57. XOR Chain #1**  
(RTCST# Asserted for four PCI Clocks while PWROK Active)

Pin Name	Ball #	Notes
SIU0_RXD	E17	Top of XOR Chain 1
SIU0_TXD	D19	Second signal in XOR
SIU0_CTS#	D17	
SIU0_DSR#	D18	
SIU0_DCD#	B20	
SIU0_RI#	A21	
SIU0_DTR#	B19	
SIU0_RTS#	E16	
SIU1_RXD	B18	
SIU1_TXD	C17	
SIU1_CTS#	D16	
SIU1_DSR#	A18	
SIU1_DCD#	C16	
SIU1_RI#	D15	
SIU1_DTR#	B16	
SIU1_RTS#	A16	
SIU_LDRQ#	C15	
SIU_LAD[3]	E14	
SIU_LFRAME#	B15	
SIU_LAD[0]	D14	
SIU_LAD[1]	A15	
SIU_LAD[2]	C14	
SIU_SERIRQ	A14	
SIU_RESET#	D13	
LFRAME# /FWH4	C13	
FWH3 /LAD3	B13	
TP0	A12	
FWH0 /LAD0	B12	
FWH1 /LAD1	D12	
FWH2 /LAD2	E12	
THRM#	A11	

**Table 57. XOR Chain #1**  
(RTCST# Asserted for four PCI Clocks while PWROK Active)

Pin Name	Ball #	Notes
LDRQ0#	B11	
LDRQ1#	C11	
GPIO[21]	A10	
GNTA# /GPIO16	B10	
REQB# /REQ5# /GPIO1	C10	
GNTB# /GNT5# /GPIO17	B9	
GNT1#	D10	
GNT0#	A8	
REQA# /GPIO0	C9	
PIRQH#	A7	
PIRQG# /GPIO4	E11	
PIRQF# /GPIO3	E10	
PIRQE# /GPIO2	C8	
PIRQD#	B7	
PIRQA#	A5	
PIRQB#	D8	
PIRQC#	C7	
REQ0#	B5	
REQ1#	D7	
REQ2#	E9	
GNT2#	E8	
GNT3#	A3	
AD_26	B4	
AD_30	C5	
AD_24	D6	
AD_28	A2	
TP[2]	AC2	XOR Chain #1 Output

**Table 58. XOR Chain #2; Chain 2-1 and Chain 2-2**

(RTCRST# Asserted for Five PCI Clocks while PWROK Active)

Pin Name	Ball #	Notes
AD_18	D5	Top of XOR Chain 2
AD_22	B3	Second signal in XOR
AD_16	B2	
STOP#	D4	
PAR	C3	
FRAME#	B1	
AD_20	C2	
AD_15	D3	
TRDY#	E4	
AD_11	F5	
AD_13	C1	
AD_4	D2	
AD_9	E3	
C/BE[0]#	F4	
AD_2	G5	
AD_6	F3	
AD_3	G4	
AD_0	E1	
AD_5	H5	
AD_10	F2	
AD_7	F1	
AD_1	H4	
AD_12	G2	
AD_8	H3	
SERR#	G1	
AD_14	H2	
PERR#	J4	
C/BE[1]#	H1	
DEVSEL#	J3	
PLOCK#	K5	
C/BE[2]#	J2	
IRDY#	K4	
AD_17	K3	
AD_19	K2	
AD_23	K1	
AD_21	L5	
C/BE[3]#	L4	
AD_25	L2	

**Table 58. XOR Chain #2; Chain 2-1 and Chain 2-2**

(RTCRST# Asserted for Five PCI Clocks while PWROK Active)

Pin Name	Ball #	Notes
AD_27	L1	
AD_29	M1	
AD_31	M2	
REQ3#	M4	
GPIO[6]	M3	
GPIO[7]	N2	Out XOR Chain 2-1
GPIO[27]	N3	In XOR Chain 2-2
GPIO[28]	N4	
GPIO[8]	P1	
GPIO[12]	P2	
GPIO[13]	P3	
PCIRST#	R1	
RESERVED1	P4	
GPIO[25]	R2	
SMBCLK	T2	
SMBDATA	R4	
SMBALERT# /GPIO11	U1	
NC[11]	U2	
NC[12]	T4	
NC[10]	V1	
SUSCLK	U3	
USBP0P	U4	
USBP0N	T5	
USBP1P	W1	
USBP1N	V2	
NC[9]	W2	
NC[6]	V4	
NC[7]	W3	
NC[8]	Y2	
OC1#	W4	
VSS	AB2	
RESERVED2	Y4	
TP[1]	AA5	XOR Chain #2 Output, (Chain 2-2)



**Table 59. XOR Chain #3; Chain 3-1 and Chain 3-2**  
(RTCRST# Asserted for Six PCI Clocks While PWROK Active)

Pin Name	Ball #	Notes
SMLINK1	AA4	Top of XOR Chain 3
SMLINK0	Y5	Second signal in XOR
NC	W7	
GPIO[24]	AB4	Out XOR Chain 3-1
NC	Y9	In XOR Chain 3-2
NC	AC7	
FERR#	AA9	
APICD_0	AB9	
APCID_1	Y10	
SERIRQ	AA10	
SPKR	AB10	
PDD_6	Y11	
PDD_7	AA11	
PDD_8	AB11	
PDD_9	AC11	
PDD_5	W12	
PDD_10	Y12	
PDD_4	AB12	
PDD_11	AC12	
PDD_13	AB13	
PDD_3	AA13	
PDD_12	Y13	
PDD_1	W13	
PDD_2	AC14	
PDD_14	AB14	
PDD_0	AA14	
PDDREQ	AC15	

**Table 59. XOR Chain #3; Chain 3-1 and Chain 3-2**  
(RTCRST# Asserted for Six PCI Clocks While PWROK Active)

Pin Name	Ball #	Notes
PDIOW#	Y14	
PDD_15	AB15	
PDDACK#	AA15	
PDA_2	AC16	
IRQ14	AB16	
SDD_6	Y15	
PIORDY	AC17	
PDCS1#	W14	
PDIOR#	AB17	
PDA_0	Y16	
SDD_8	AA17	
SDD_9	AB18	
PDA_1	W15	
SDD_7	AC18	
SDD_5	W16	
SDD_10	Y17	
SDD_4	AA18	
PDCS3#	AC19	
SDD_11	AB19	
SDD_2	AC20	
SDD_12	Y18	
SDD_3	AA19	
SDD_13	AB20	
SDD_1	AC21	
SDD_14	W17	
SDD_0	Y19	
<b>Rl#</b>	<b>R5</b>	<b>XOR Chain #3 Output, (Chain 3-2)</b>

**Table 60. XOR Chain #4; Chain 4-1 and Chain 4-2**

(RTCRST# Asserted for Seven PCI Clocks While PWROK Active)

Pin Name	Ball #	Notes
SDIOR#	W18	
SDDREQ	AC22	
SDIOW#	W19	
SDD_15	Y20	
SDA_1	AA21	
SDDACK#	V19	
IRQ15	AB22	
SIORDY	V20	
SDA_2	W20	
SDCS3#	Y21	
SDA_0	AB23	
SDCS1#	U19	
VRMPWRGD	W21	
GPIO[18]	Y22	
GPIO[19]	AA23	
GPIO[20]	T19	
GPIO[22]	U20	
GPIO[23]	T20	
A20GATE	Y23	
RCIN#	W23	
CPUPWRGD	V22	
INIT#	U21	
SMI#	T21	
CPUSLP#	R19	
IGNNE#	V23	
NMI	U22	
INTR	U23	
A20M#	T23	
STPCLK#	T22	
HL7	P19	
HL5	P20	
HL6	R23	
HL4	N19	
H1REQM	P22	

**Table 60. XOR Chain #4; Chain 4-1 and Chain 4-2**

(RTCRST# Asserted for Seven PCI Clocks While PWROK Active)

Pin Name	Ball #	Notes
H1STOP	N21	See Section 5.3.1.1
HL_STR#	N23	
HL_STR	M22	See Section 5.3.1.1
H1REQI	M19	
HL3	M20	
HL2	L23	
HL1	L21	
HL0	L19	
H1PAR	K22	
HLCOMP	K19	Out XOR Chain 4-1
LAN1_RXD[1]	G23	In XOR Chain 4-2
LAN1_TXD[0]	H21	
LAN1_TXD[1]	G21	
LAN1_TXD[2]	E23	
LAN1_RXD[0]	H20	
EE1_DOUT	G20	
LAN1_RXD[2]	E22	
LAN1_RSTSYNC	D23	
EE1_SHCLK	C23	
EE1_DIN	E21	
EE1_CS	F20	
LAN0_RXD[1]	H19	
LAN0_RXD[2]	B23	
LAN0_RSTSYNC	C22	
EE0_DOUT	D21	
EE0_SHCLK	E20	
EE0_CS	F19	
EE0_DIN	G19	
LAN0_RXD[0]	C21	
LAN0_TXD[2]	D20	
LAN0_TXD[1]	A22	
LAN0_TXD[0]	C20	
OC0#	AA1	XOR Chain #4 Output, (Chain 4-2)

**Table 61. Signals Not in XOR Chain**

Pin Name	Ball #	Notes
APICCLK	AC9	
CLK14	W11	
CLK48	AB8	
CLK66(HCLK)	J23	
PCICLK	M5	
SIU_LCLK	E13	
UART_CLK	A19	
LAN1_CLK	B21	
LAN0_CLK	F22	
INTRUDER#	AB5	

**Table 61. Signals Not in XOR Chain**

Pin Name	Ball #	Notes
PWROK	W9	
RSMRST#	Y8	
RTCX1	Y7	
RTCX2	AA7	
RTCRST#	AA6	
TP[2]	AC2	
RSM_PWROK	T3	
TP[1]	AA5	
OC0#	AA1	
RI#	R5	

### 5.3.1 XOR Chain Testability Algorithm Example

XOR chain testing allows motherboard manufacturers to check component connectivity (e.g., opens and shorts to VCC or GND). An example algorithm to do this is shown in Table 62.

**Table 62. XOR Test Pattern Example**

Vector	Input Pin 1	Input Pin 2	Input Pin 3	Input Pin 4	Input Pin 5	Input Pin 6	XOR Output
1	0	0	0	0	0	0	1
2	1	0	0	0	0	0	0
3	1	1	0	0	0	0	1
4	1	1	1	0	0	0	0
5	1	1	1	1	0	0	1
6	1	1	1	1	1	0	0
7	1	1	1	1	1	1	1

In this example, Vector 1 applies all “0s” to the chain inputs. The outputs being non-inverting, will consistently produce a “1” at the XOR output on a good board. One short to Vcc (or open floating to Vcc) will result in a “0” at the chain output, signaling a defect.

Likewise, applying Vector 7 (all “1s”) to the chain inputs (given that there are an even number of input signals in the chain), will consistently produce a “1” at the XOR chain output on a good board. One short to Vss (or open floating to Vss) will result in a “0” at the chain output, signaling a defect. It is important to note that the number of inputs pulled to “1” will affect the expected chain output value. If the number of chain inputs pulled to “1” is even, then expect “1” at the output. If the number of chain inputs pulled to “1” is odd, expect “0” at the output.

Continuing with the example in Table 62, as the input pins are driven to “1” across the chain in sequence, the XOR Output will toggle between “0” and “1.” Any break in the toggling sequence (e.g., “1011”) will identify the location of the short or open.

#### 5.3.1.1 Test Pattern Consideration for XOR Chain 4

When the 82801E C-ICH is operated with the Hub Interface in “Normal” mode (See “Functional Straps” on page 49), the HL\_STB and HL\_STB# signals must always be driven to complementary logic levels. For example, if a “1” is driven on HL\_STB, then a “0” must be driven on HL\_STB# and vice versa. This will need to be considered in applying test patterns to this chain.

When the 82801E C-ICH is operated with the Hub Interface in “Enhanced” mode there are no restrictions on the values that may be driven onto the HL\_STB and HL\_STB# signals.

Copyright © Each Manufacturing Company.

All Datasheets cannot be modified without permission.

This datasheet has been download from :

[www.AllDataSheet.com](http://www.AllDataSheet.com)

100% Free DataSheet Search Site.

Free Download.

No Register.

Fast Search System.

[www.AllDataSheet.com](http://www.AllDataSheet.com)