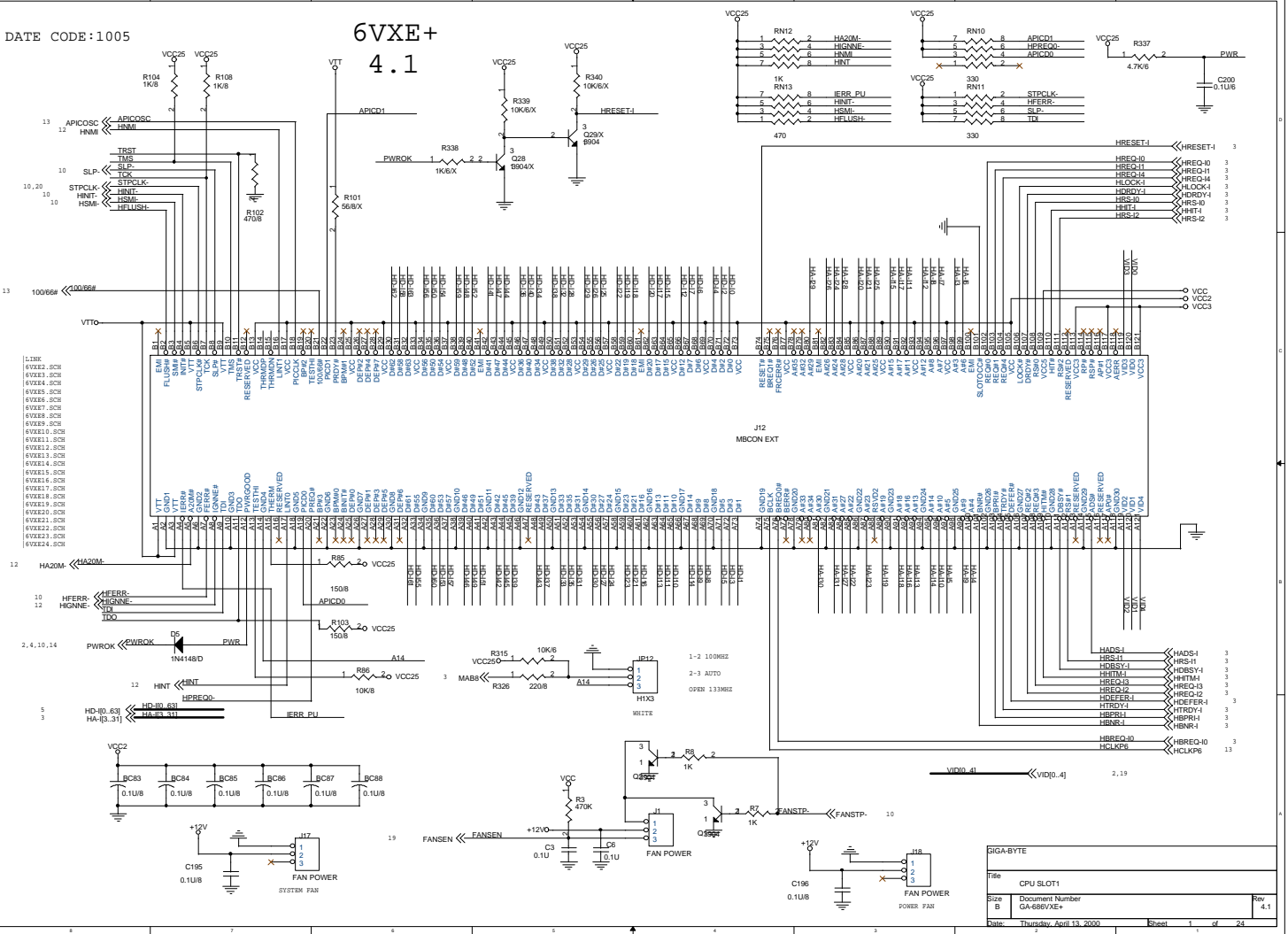
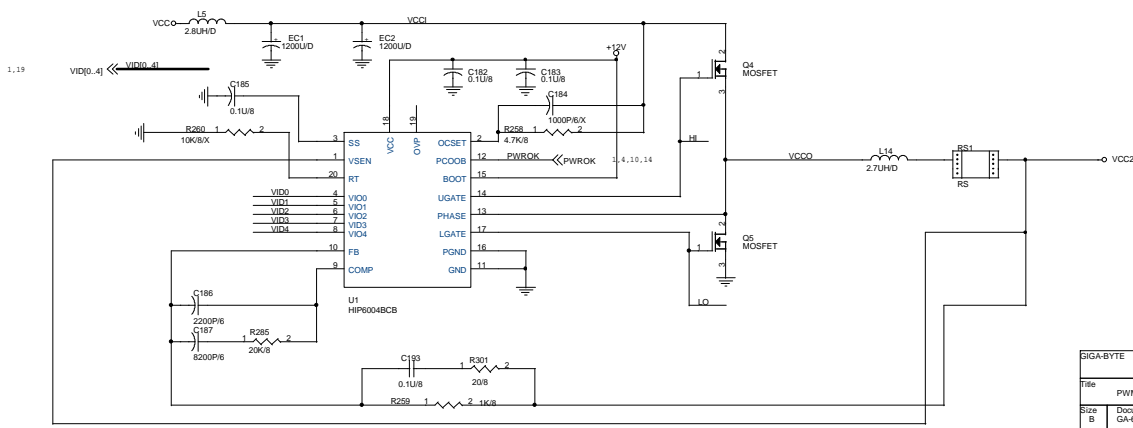
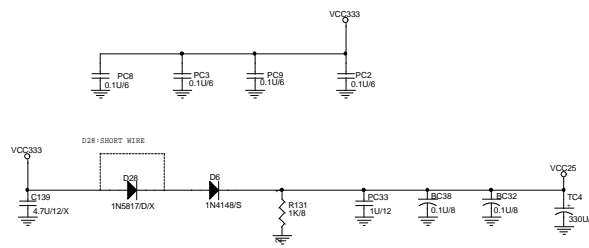
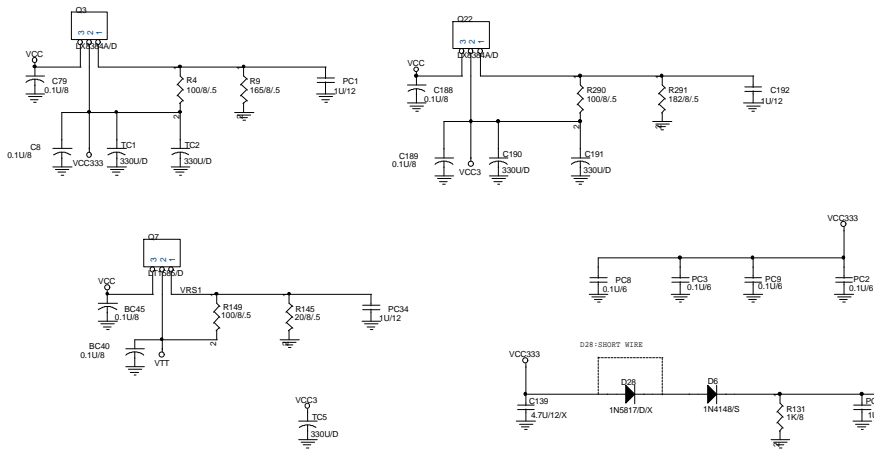


DATE CODE:1005

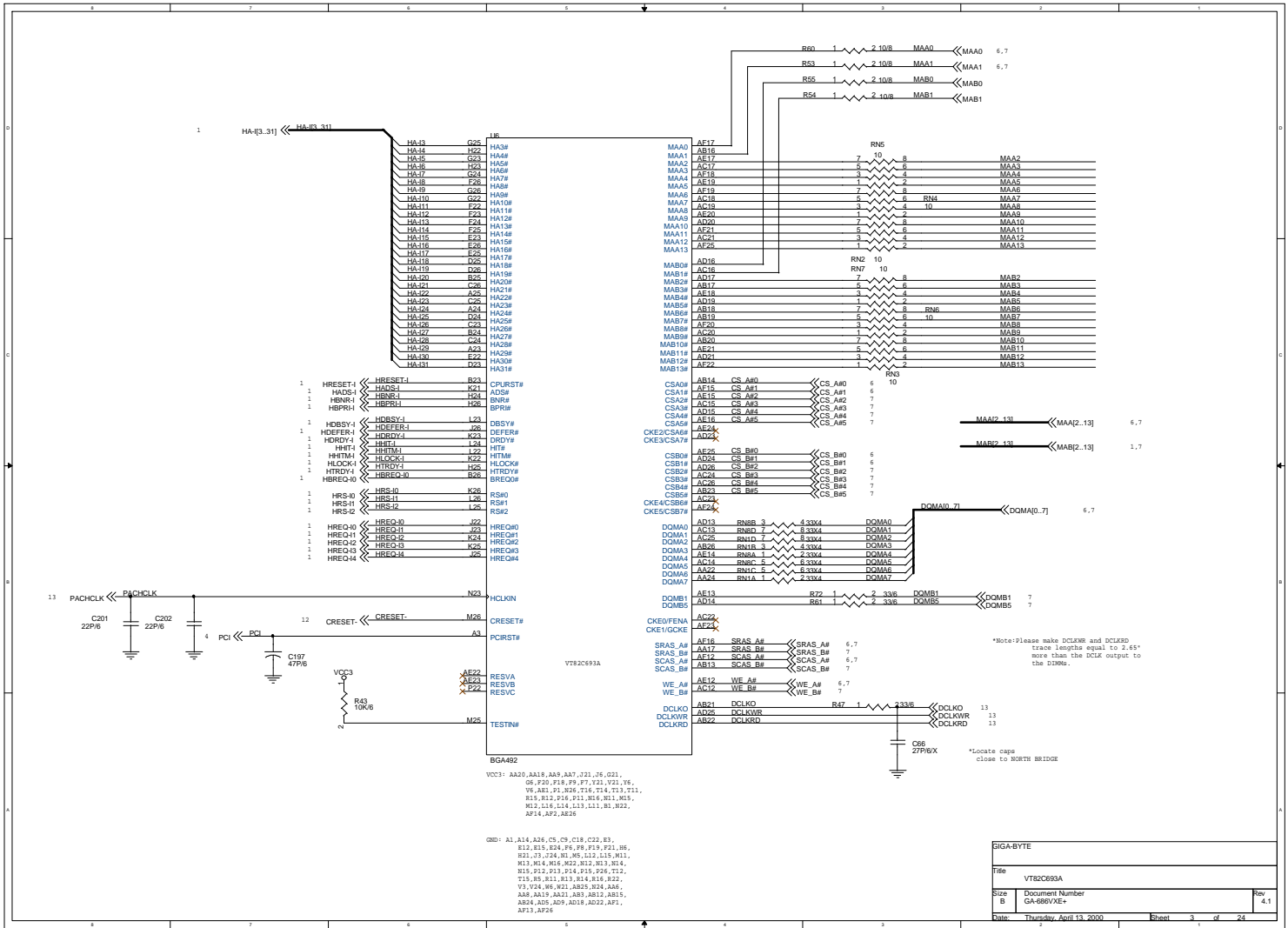
6VXE+ 4.1



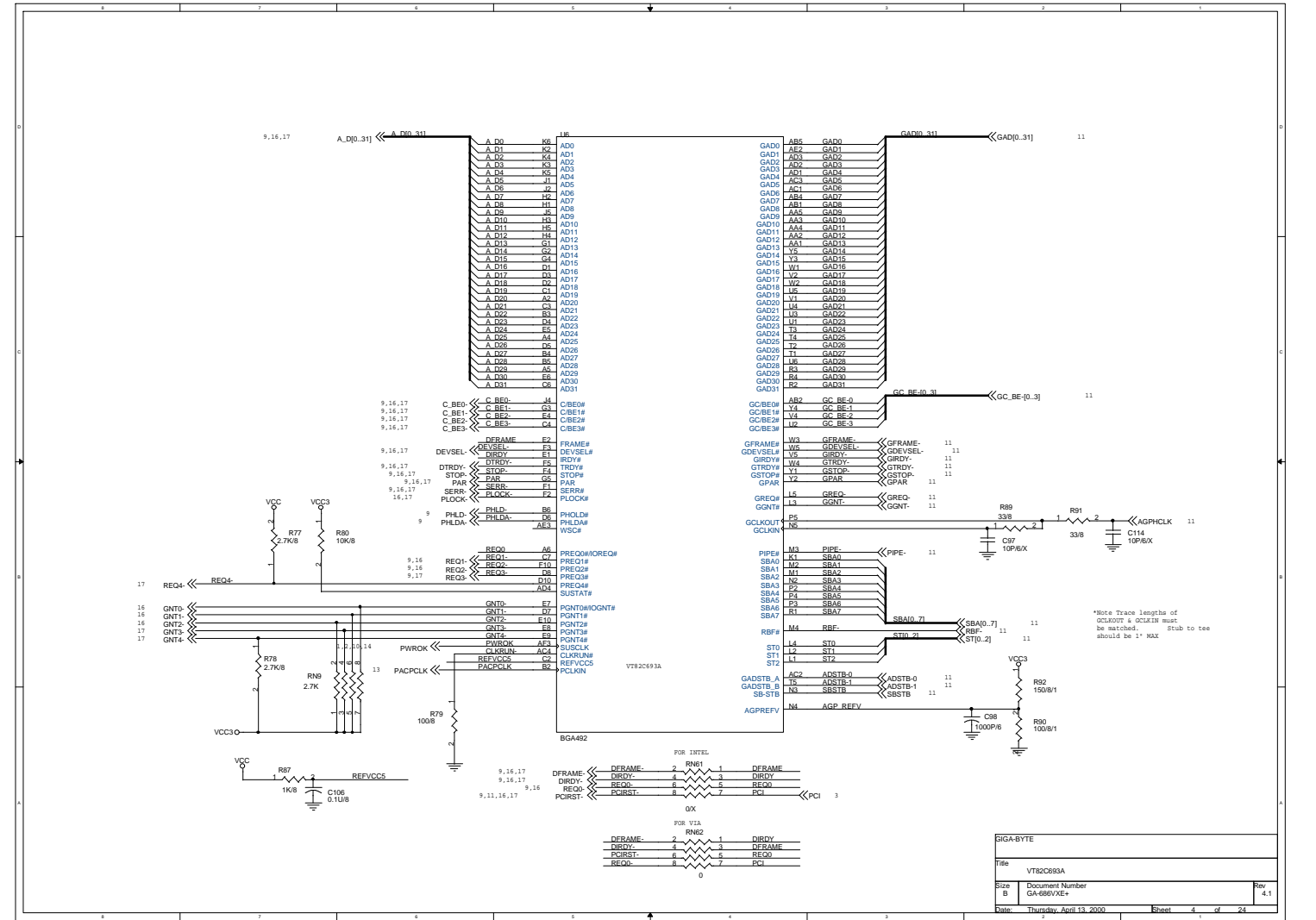
SILGABYTE		
Title	CPU SLOT1	
Size	Document Number	Rev
B	GA-686VXE+	4.1
Date	Thursday, April 13, 2000	Sheet 1 of 24



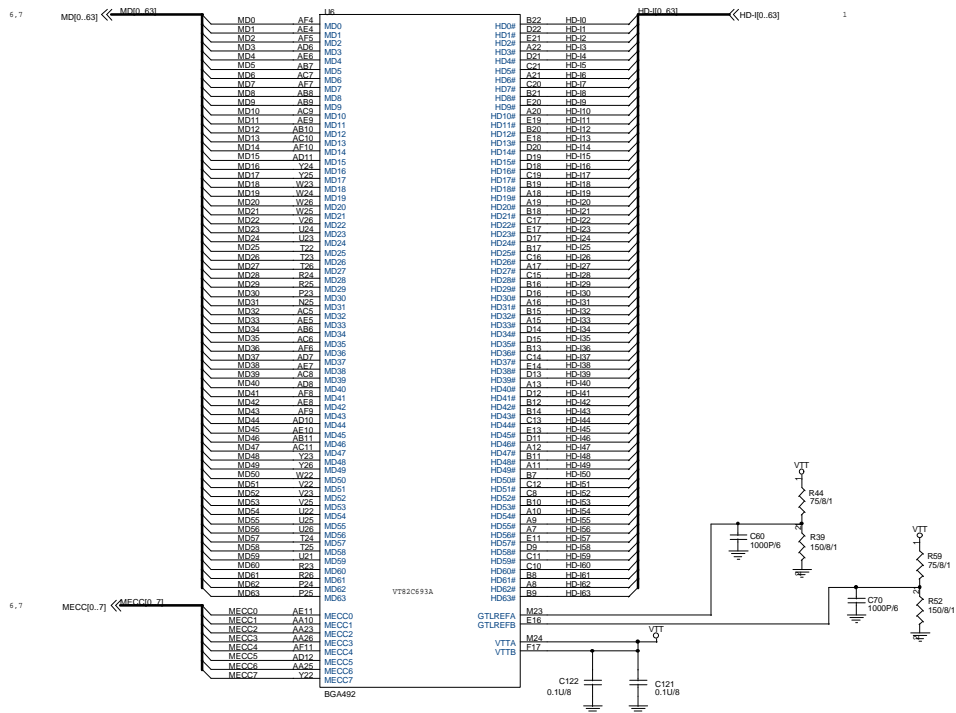
SIGABYTE		
Title	PWM	
Size	Document Number	Rev
B	GA-686VXE+	4.1
Date:	Thursday, April 13, 2000	Sheet 2 of 24



SIGABYTE			
Title	VTR20C93A		
Size	Document Number	GA-686VXE*	Rev 4.1
Date	Thursday, April 13, 2000	Sheet 3	of 24



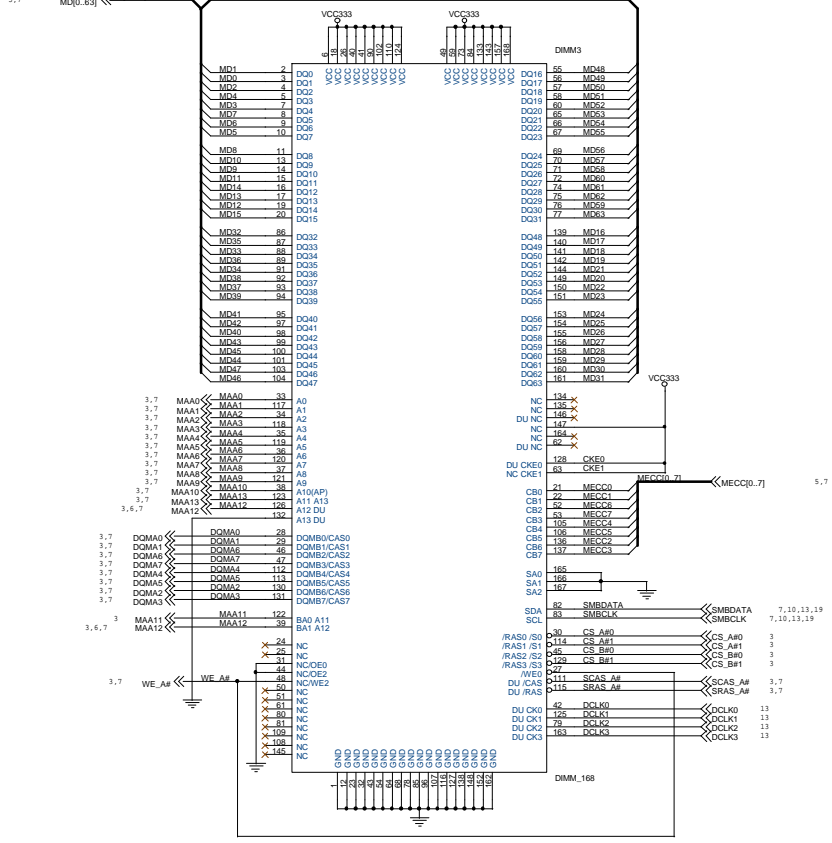
SIGABYTE			
Title	VTR20493A		
Size	Document Number	GA-686VXE*	Rev 4.1
Date	Thursday, April 13, 2000	Sheet	6 of 24



SIGABYTE		
Title	VTR2C693A	
Size	Document Number	Rev
B	GA-686VXE+	4.1
Date:	Thursday, April 13, 2000	Sheet 6 of 24

MD[0..63] << MD[0..63]

BANK 0

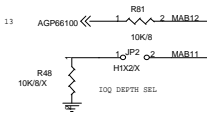
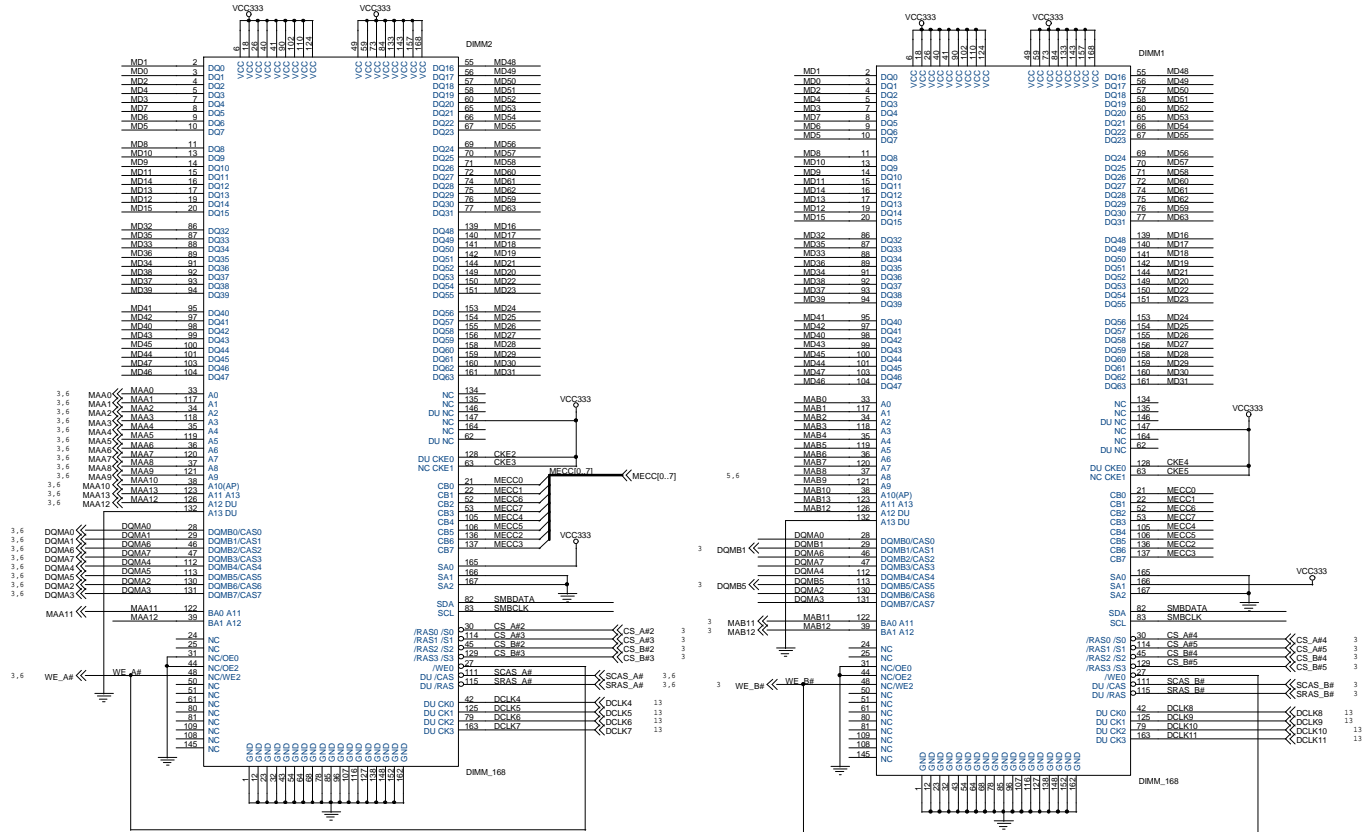


SIGABYTE		
Title	DIMM 3	
Size	Document Number	Rev
B	GA-686VXE+	4.1
Date:	Thursday, April 13, 2000	Sheet 6 of 24

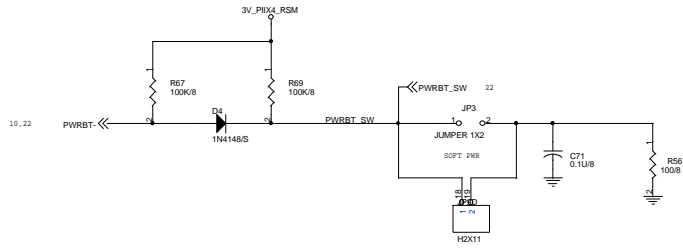
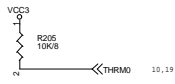
BANK1

5.6 MD0_631

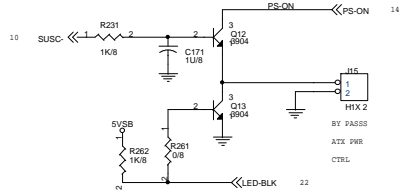
BANK2



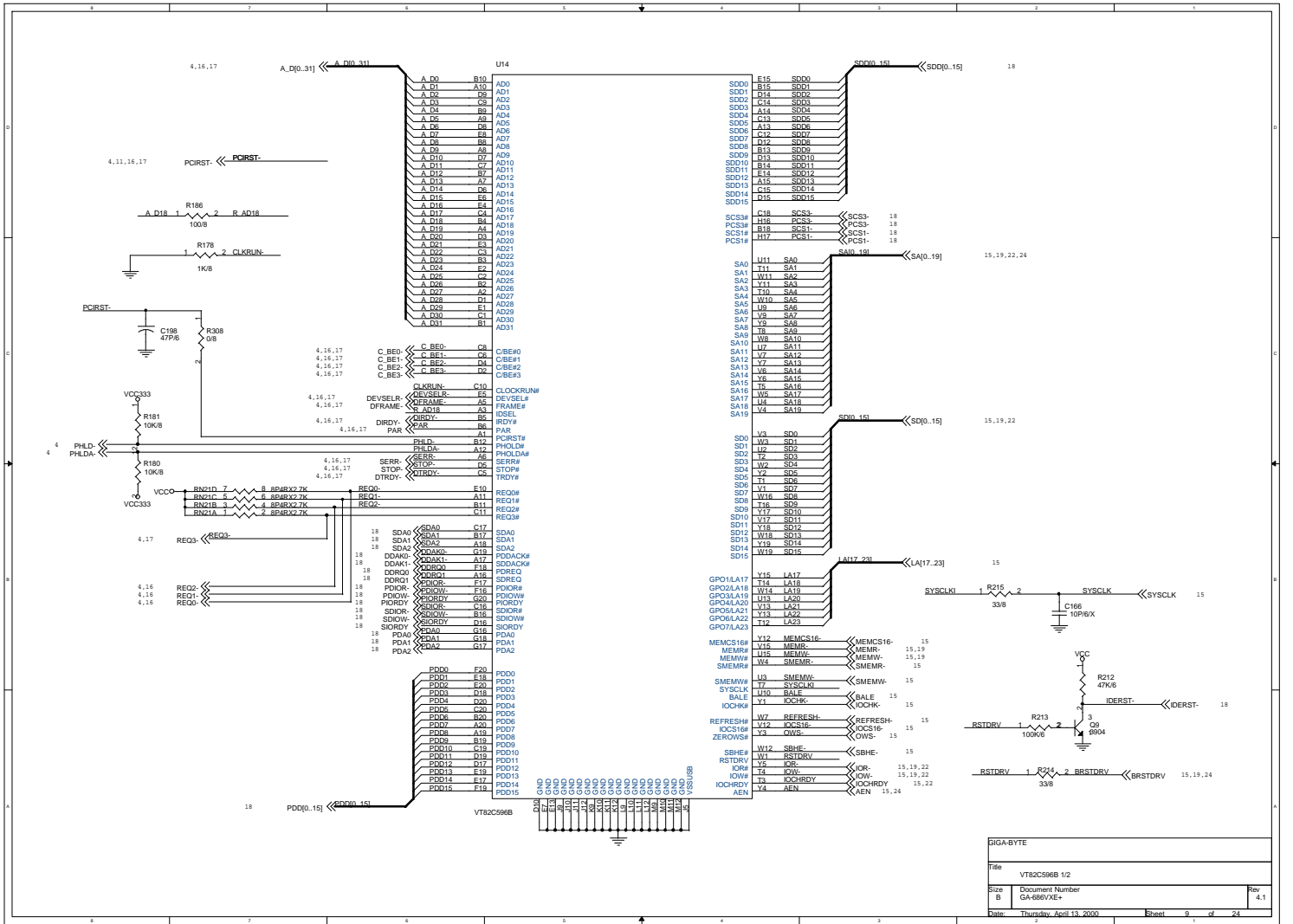
SIGABYTE		
Title	DIMM 1,2	
Size	Document Number	Rev
B	GA-686VXE+	4.1
Date	Thursday, April 13, 2000	Sheet 7 of 24

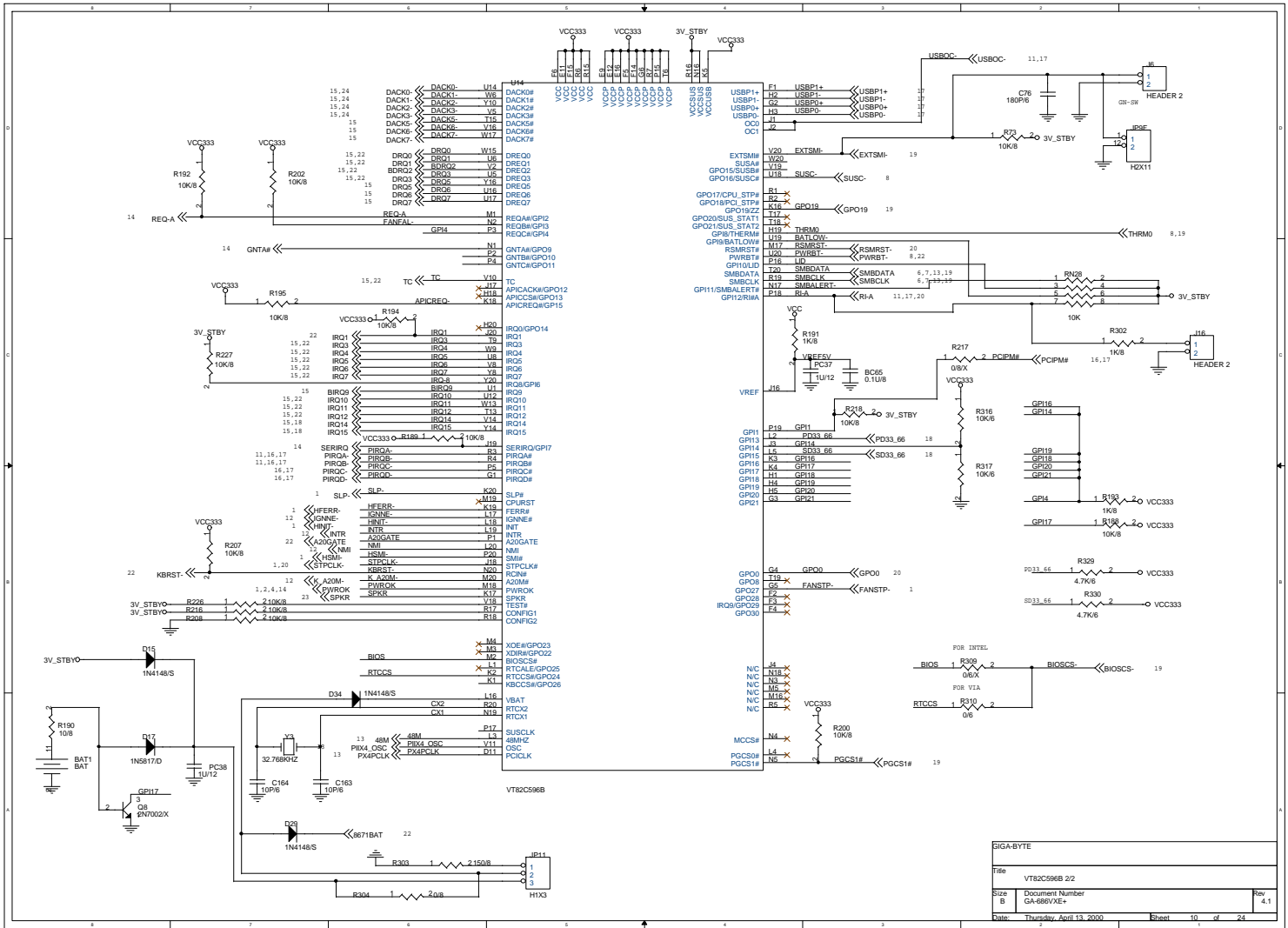


SOFT FULL ON



SIGABYTE	
Title	ATX PWR CTRL
Size B	Document Number GA-686VXE*
Date	Thursday, April 13, 2000
Sheet	8 of 24
Rev	4.1

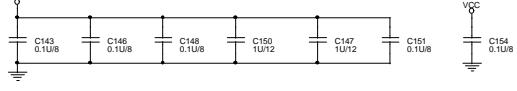
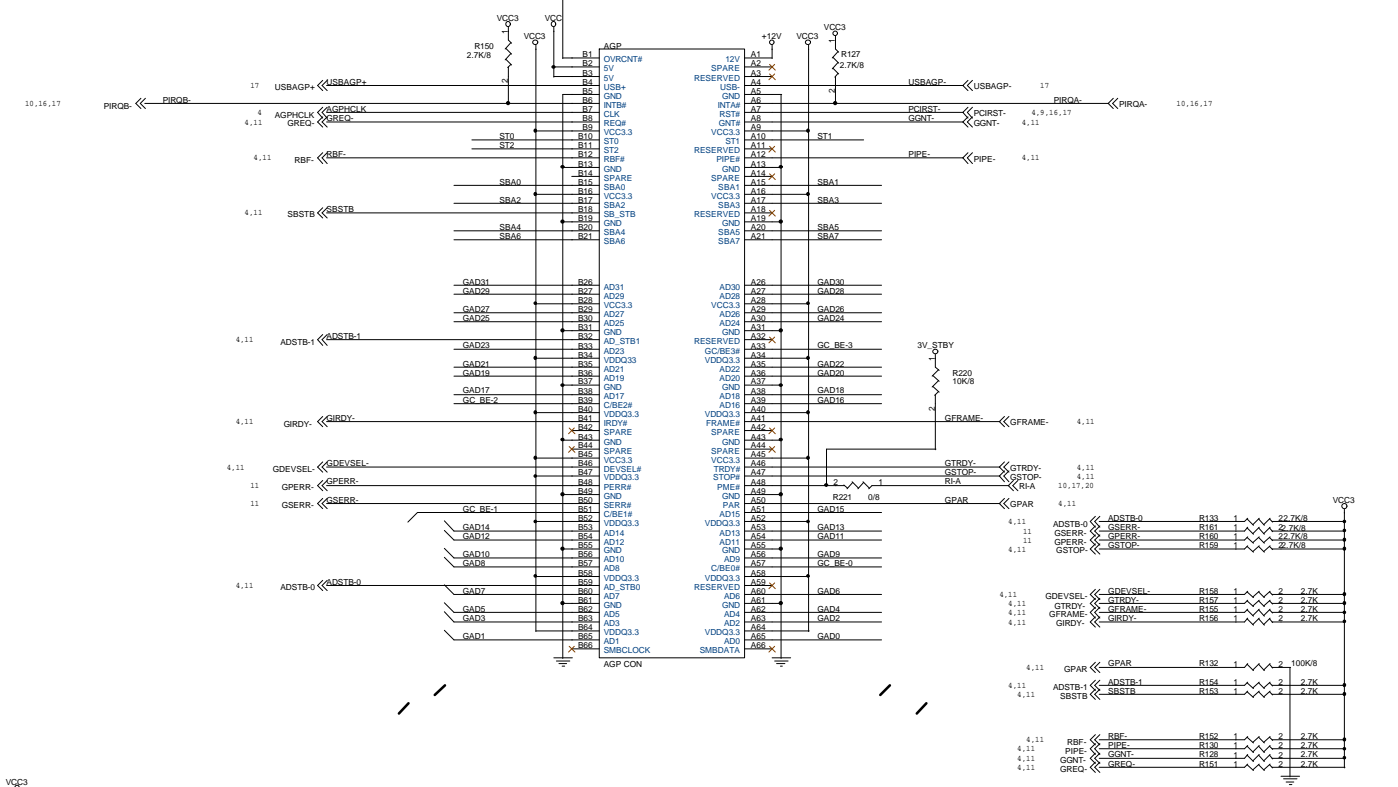




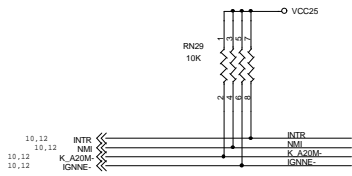
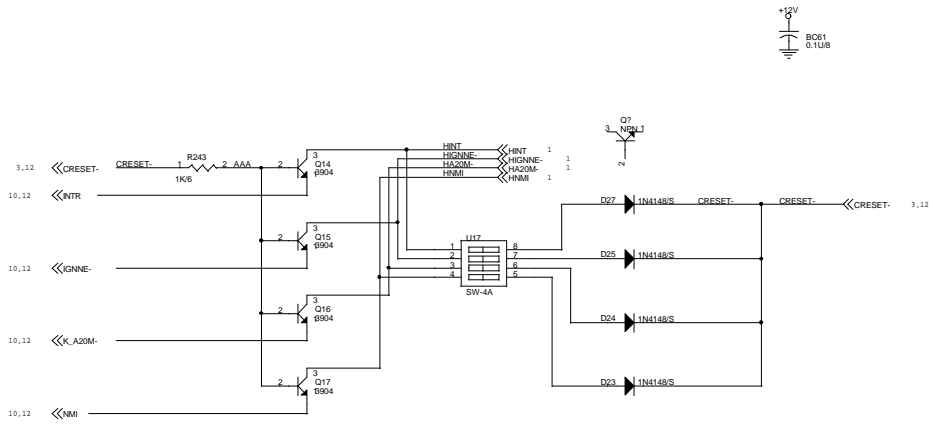
SIGABYTE		
Title	VTR2C596B 2/2	
Size	Document Number	Rev
B	GA-686VXE+	4.1
Date:	Thursday, April 13, 2000	Sheet 10 of 24

- 4 GAD0_31 << GAD0_31
- 4 GC_BE(0_3) << GC_BE(0_3)
- 4 SBA(0_7) << SBA(0_7)
- 4 ST(0_2) << ST(0_2)

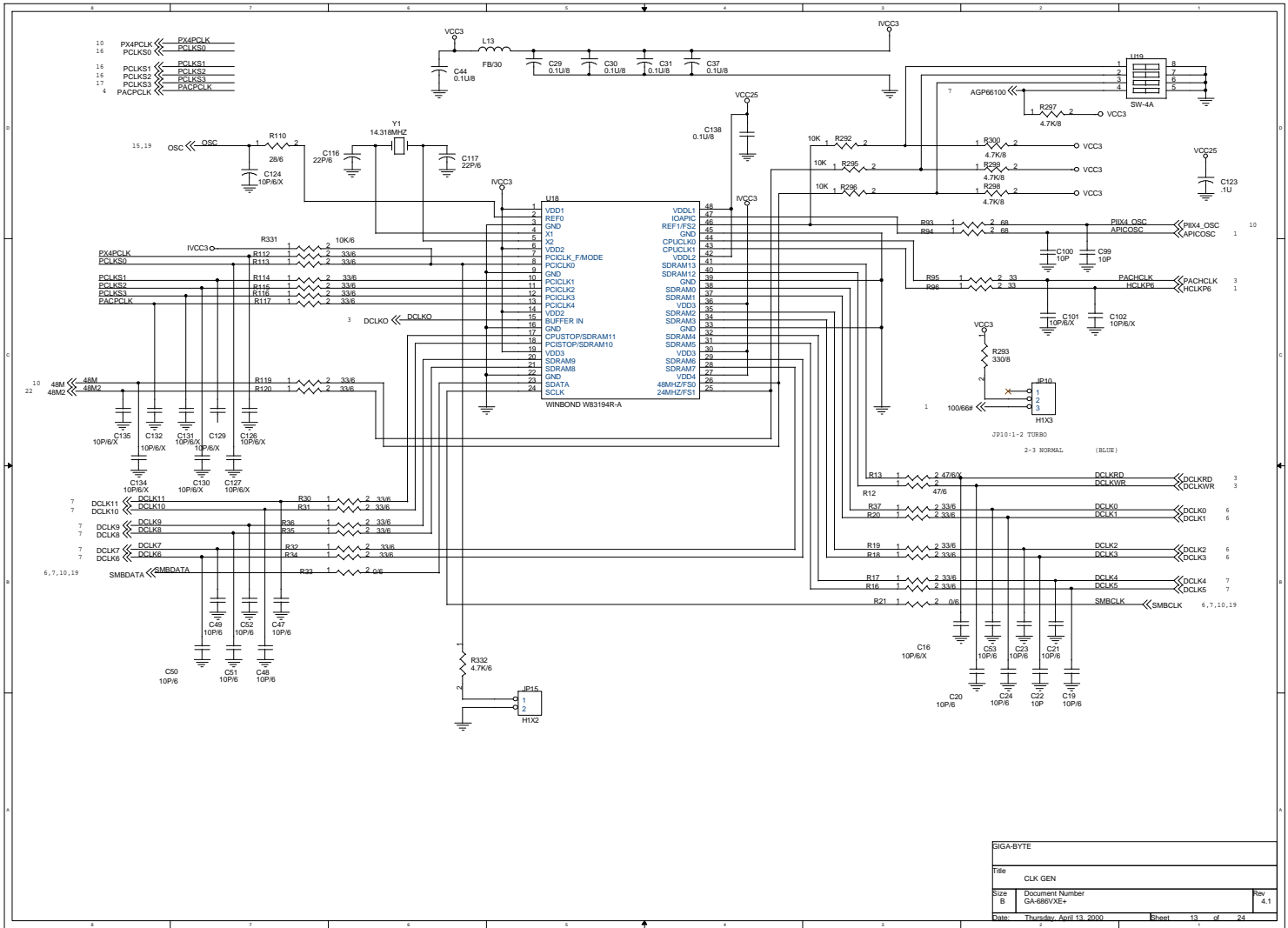
R129 2 USB0C << USB0C 10,17



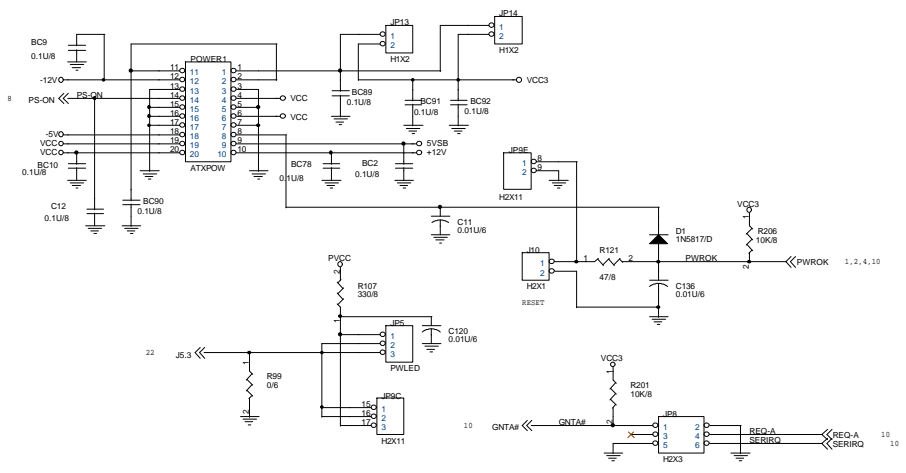
SIGABYTE			
Title			
AGP SLOT			
Size	Document Number	Rev	
B	GA-68VXE+	4.1	
Date:		Sheet	
Thursday, April 13, 2000		11 of 24	



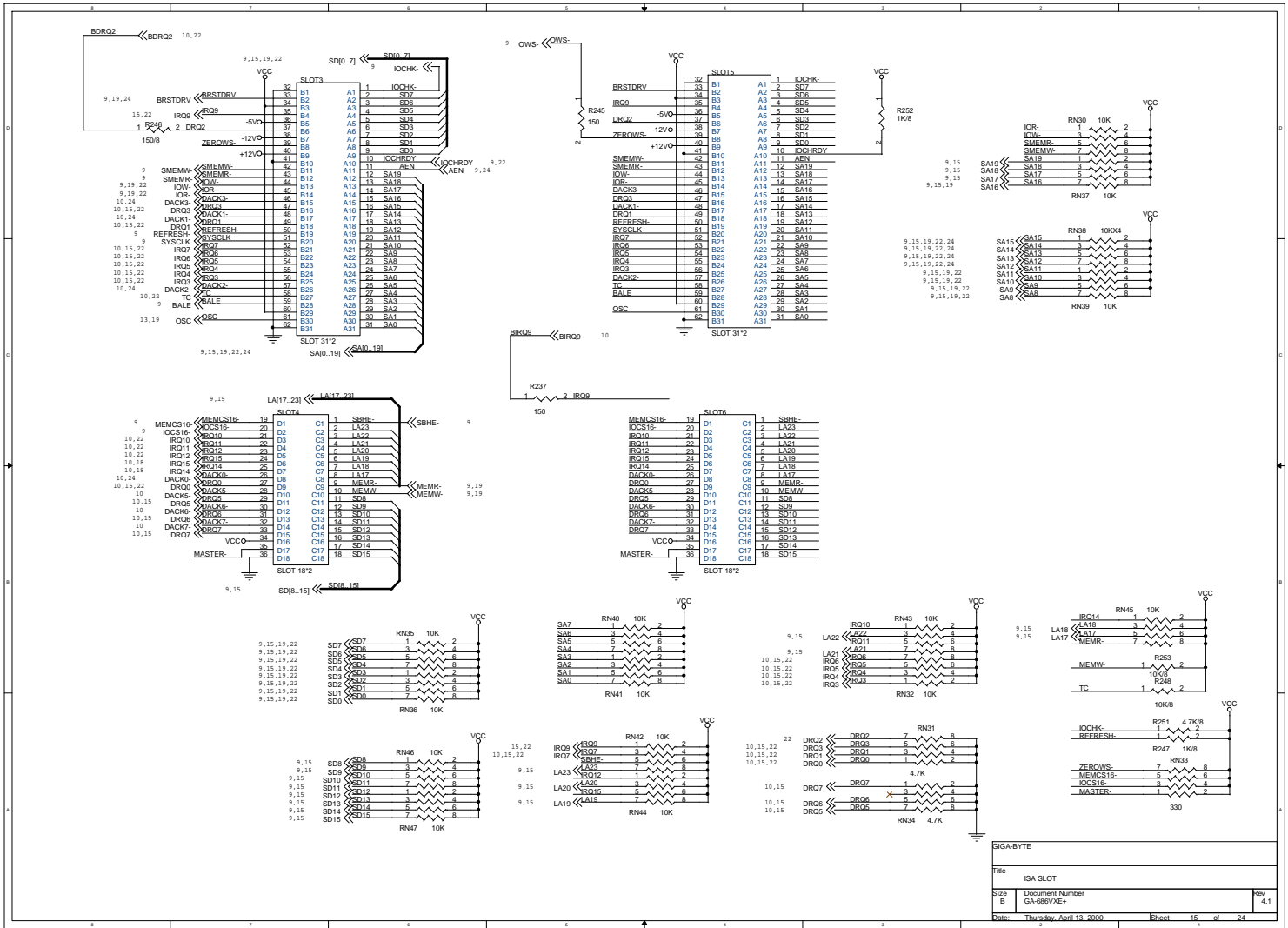
SIGABYTE		
Title	FREQ SELECTION	
Size	Document Number	Rev
B	GA-686VXE+	4.1
Date:	Thursday, April 13, 2000	Sheet 12 of 24



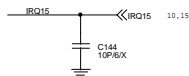
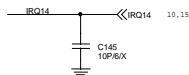
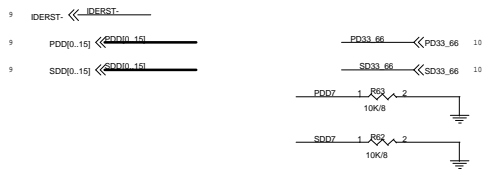
SIGNAL		
Title	CLK GEN	
Size	Document Number	Rev
B	GA-68VXE+	4.1
Date:	Thursday, April 13, 2000	Sheet 13 of 24



SIGABYTE		
Title	POWER CONNECTOR	
Size	Document Number	Rev
B	GA-68VXE+	4.1
Date:	Thursday, April 13, 2000	Sheet 14 of 24

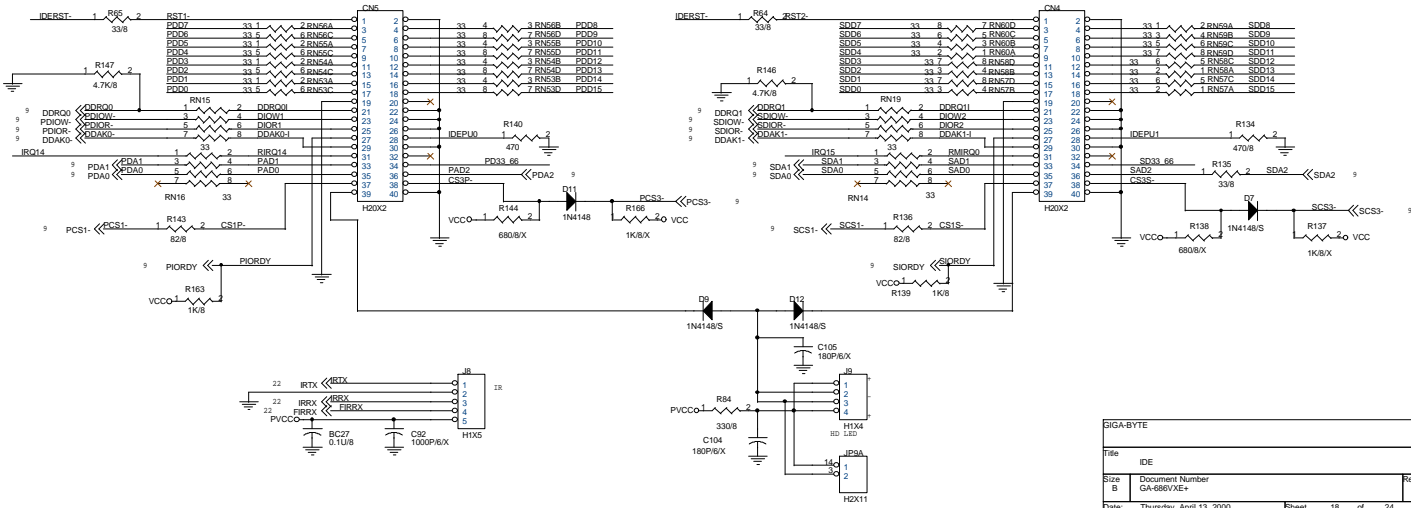


SIGABYTE			
Title	ISA SLOT		
Size	Document Number	GA-68VXE+	Rev 4.1
Date	Thursday, April 13, 2000	Sheet	15 of 24

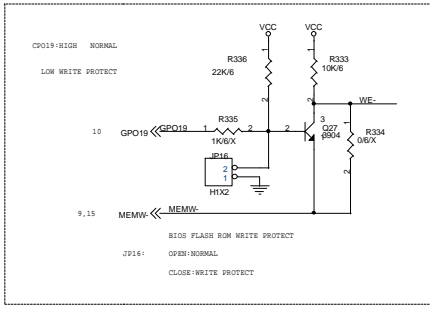
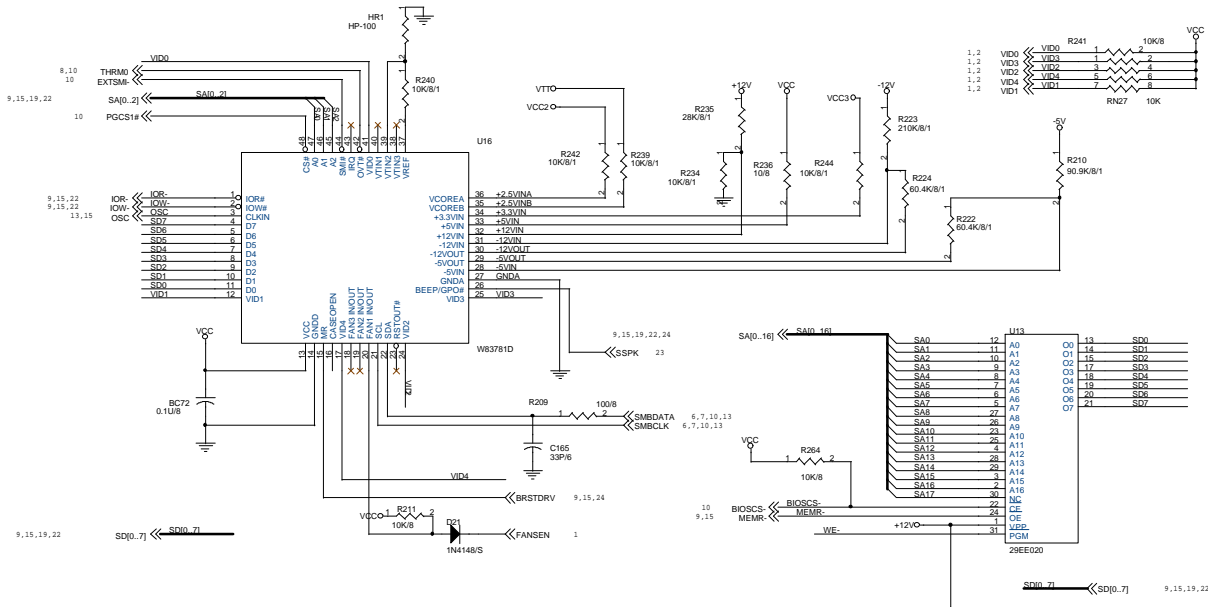


PRIMARY IDE CONNECTOR

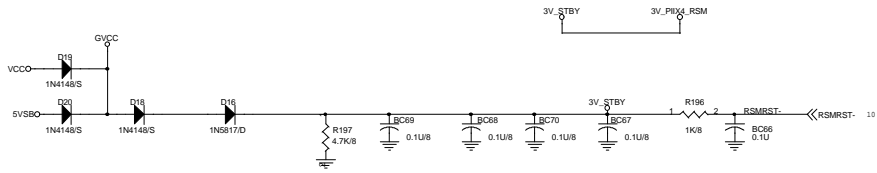
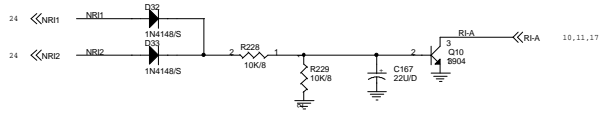
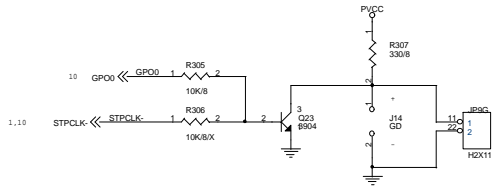
SECONDARY IDE CONNECTOR



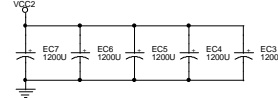
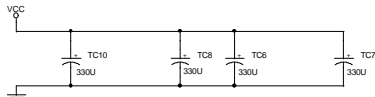
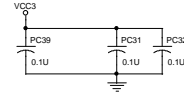
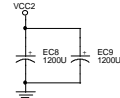
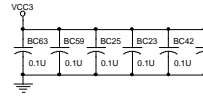
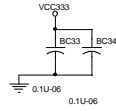
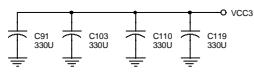
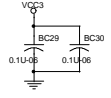
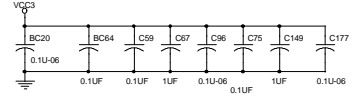
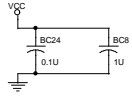
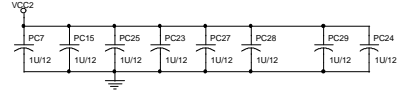
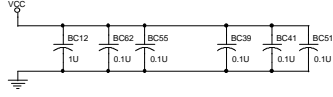
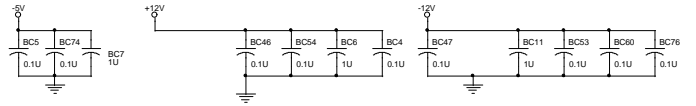
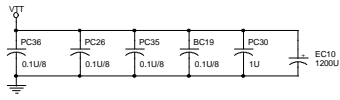
SIGABYTE		
Title	IDE	
Size	Document Number	Rev
B	GA-686VXE+	4.1
Date:	Thursday, April 13, 2000	Sheet 18 of 24



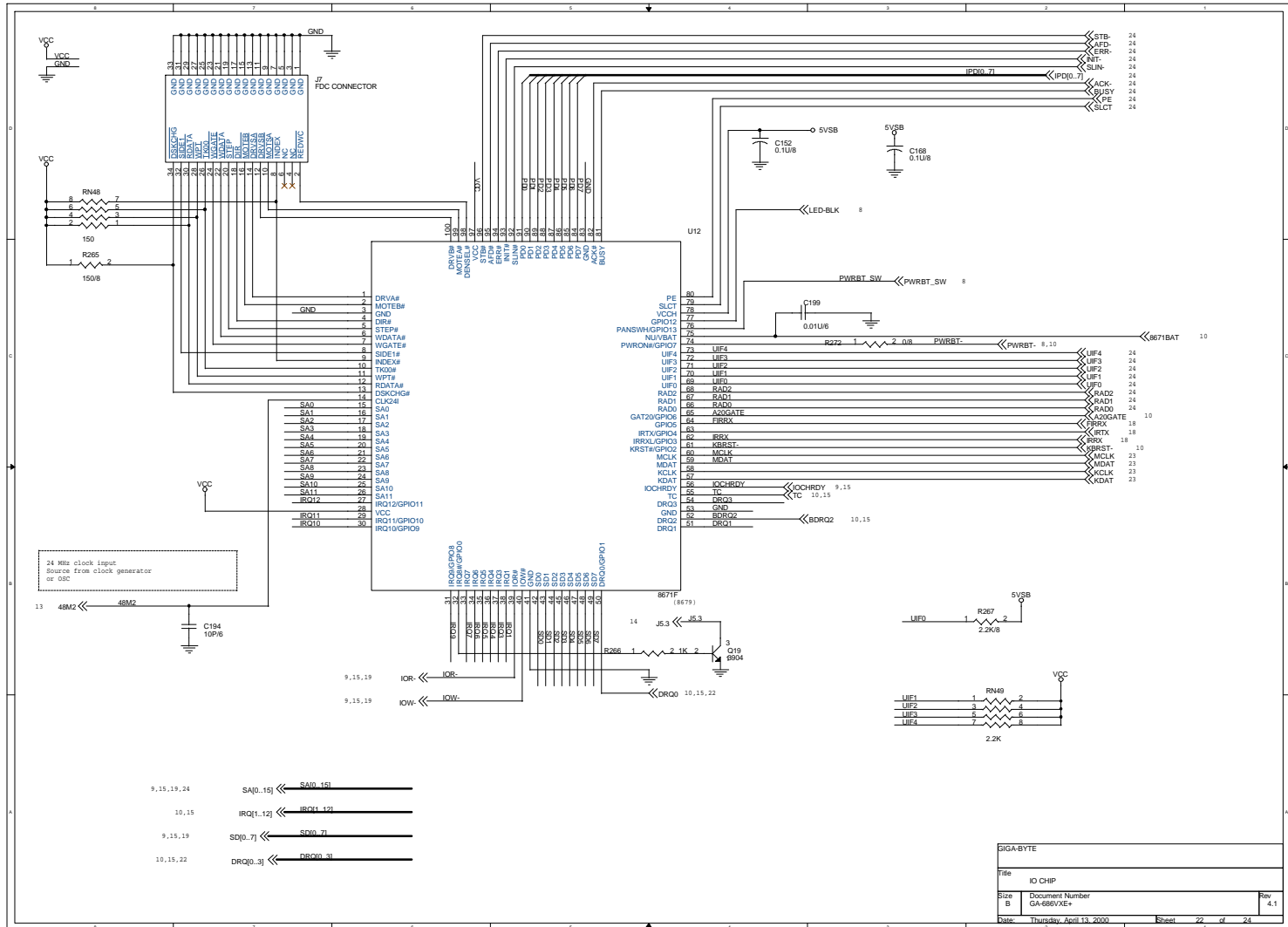
SIGABYTE			
Title	MONITORING CHIP		
Size	Document Number	Rev	
B	GA-686VXE	4.1	
Date:	Thursday, April 13, 2000	Sheet	19 of 24

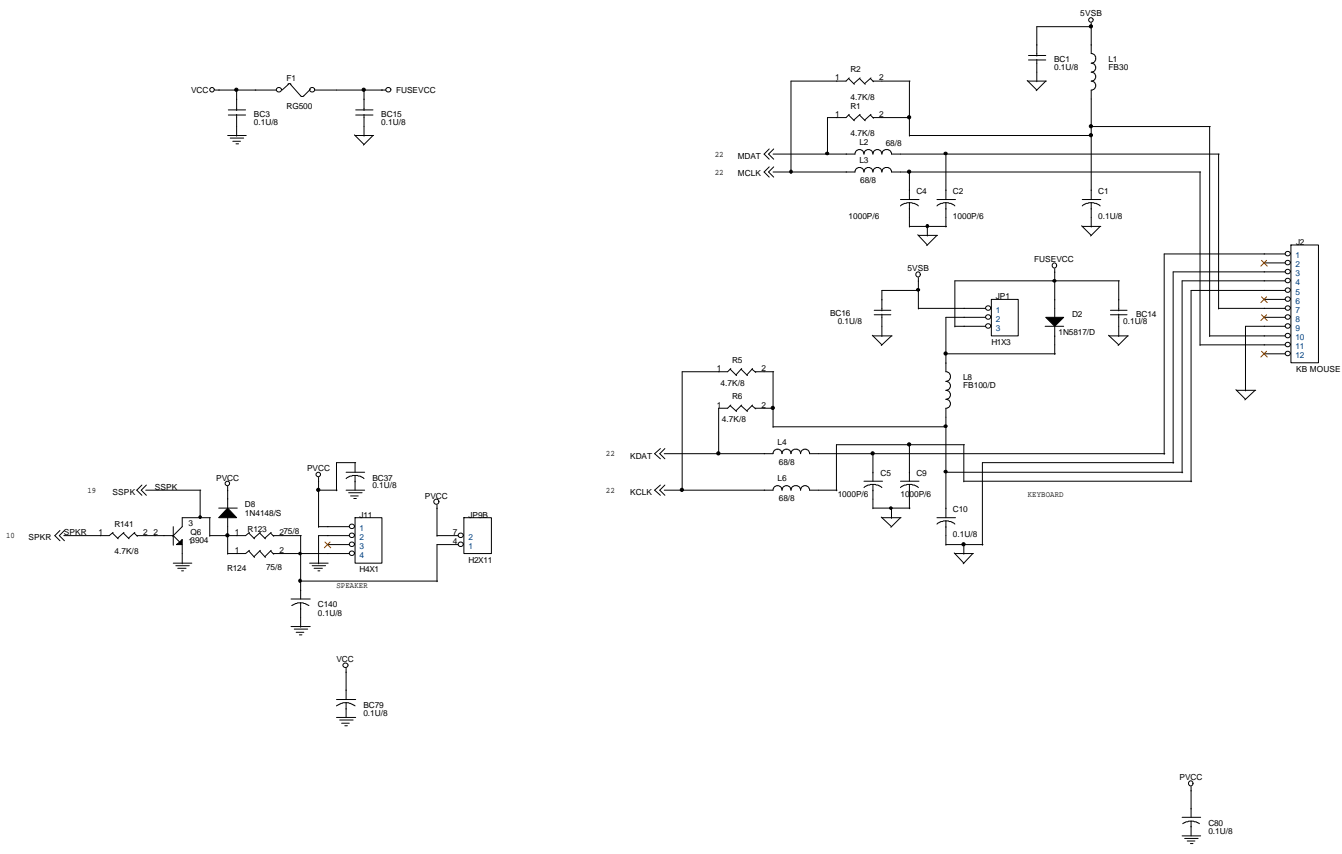


SIGABYTE	
Title	GREEN
Size B	Document Number GA-686VXE+
Date: Thursday, April 13, 2000	Sheet 20 of 24
	Rev 4.1

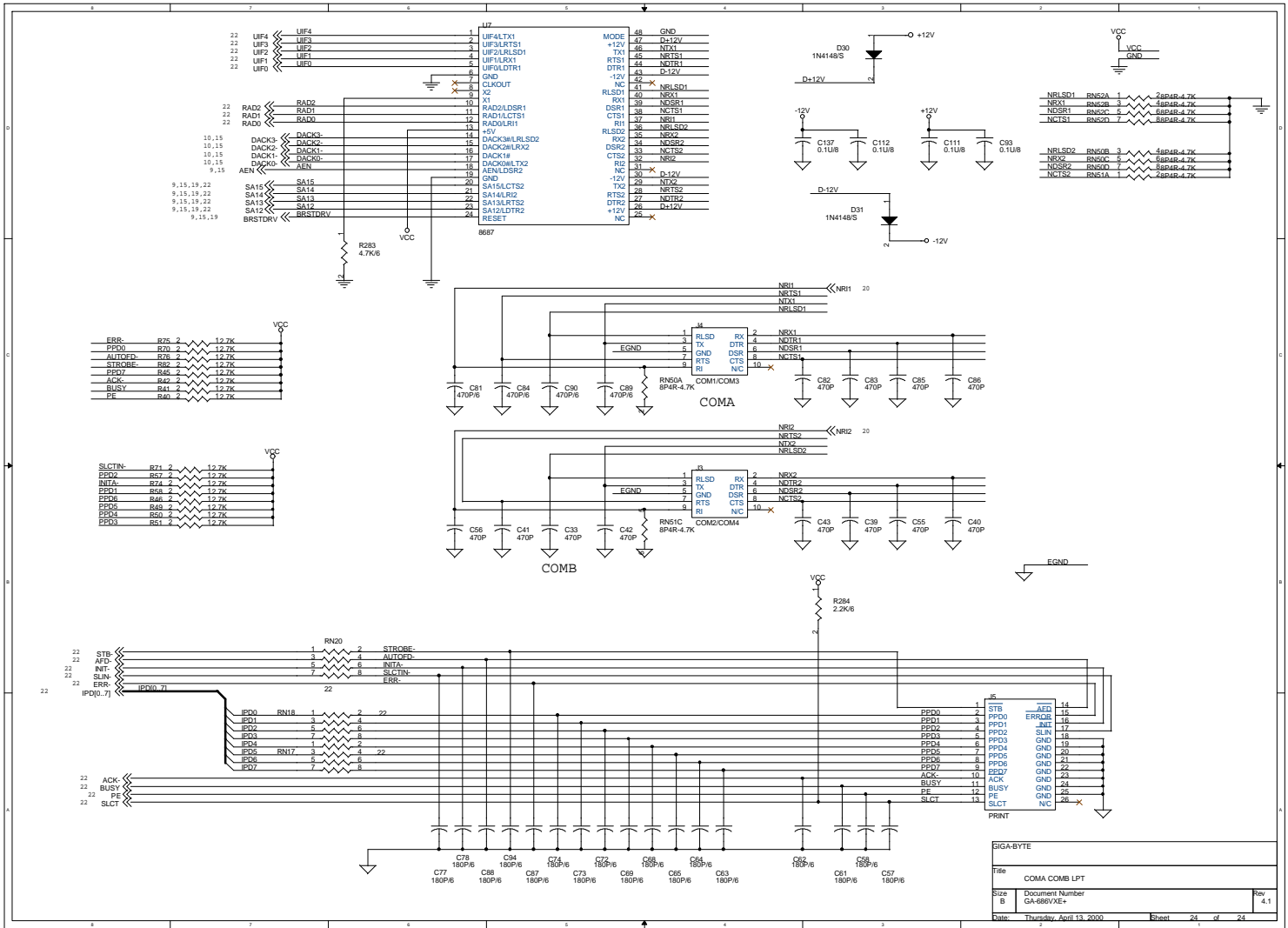


SIGABYTE		
Title	BYPASS CAPACITOR	
Size	Document Number	Rev
B	GA-686VXE+	4.1
Date:	Thursday, April 13, 2000	Sheet 21 of 24





SIGABYTE		
Title	KB MOUSE SPK	
Size	Document Number	Rev
B	GA-688VXE+	4.1
Date:	Thursday, April 13, 2000	Sheet 23 of 24



SIGABYTE		
Title	COMA COMB LPT	Rev
Size	Document Number GA-686VXE+	4.1
Date	Thursday, April 13, 2000	Sheet 24 of 24